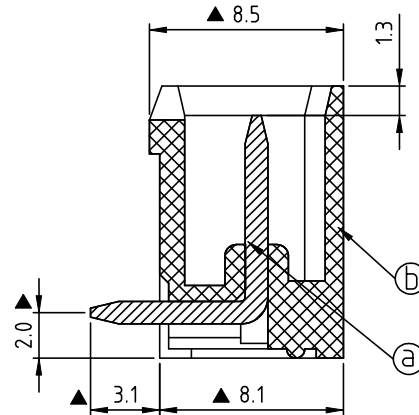
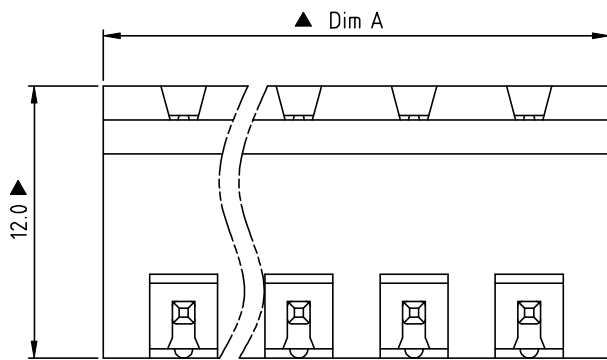
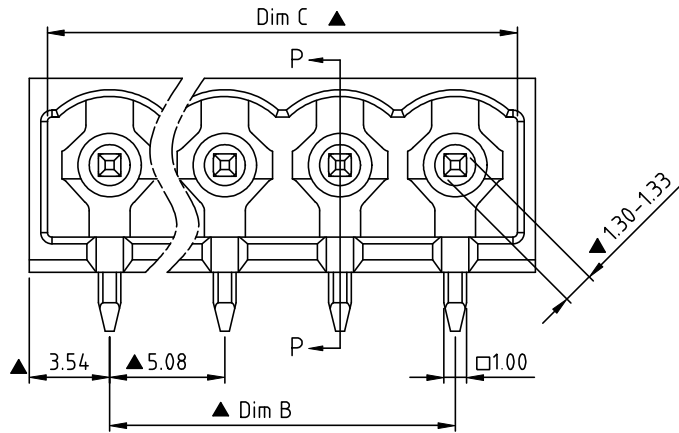


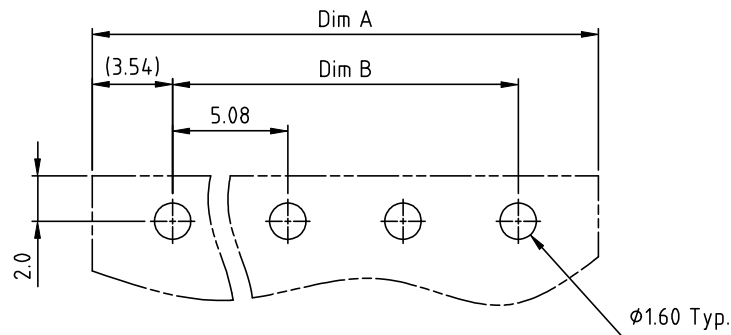
RoHS Compliant

REV	SIGN	DATE	DESCRIPTION	APPROVER
B		10/23-18	Initial release	zhangcan

THIS IS CAD DRAWING, DO NOT REVISE MANUALLY!!!



SECTION P-P



RECOMMENDED P.C.B LAYOUT

DIMENSION

Dim A	$(N-1) \times 5.08 + 7.08$
Dim B	$(N-1) \times 5.08$
Dim C	$(N-1) \times 5.08 + 5.48$



N = Number of poles

Poles	Tolerance (Dim.A&B&C)
2p-6p	±0.15
7p-12p	±0.25
13p-16p	±0.35
17p-24p	±0.40

Material:

- Item (a) Contact pin: Copper Bright Tin plated over Nickel plated
- Item (b) Insulator(housing): Thermoplastic (UL94V-0)

Electrical:

- Voltage rating: 300V
- Current rating: 20A
- Withstanding Voltage: 1.6 KV
- Operating temperature: -40°C to +115°C
- Wave soldering temperature: 260°C±5°C/5 Sec
- Safety Approval:  cULus
- Critical dimension: 

OQ xx 5 4 x A xxxx G

No. OF POLES
02: 2 POLES
...
24: 24 POLES

COLOR

- 0 Black (RAL9005)
- 2 Red (RAL3001/D)
- 3 Orange(RAL2011/P)
- 4 Yellow(RAL1018/A)
- 5 Green(RAL6018/T)
- 6 Blue (RAL5015/A)
- 8 Grey(RAL7035/D)
- 9 White(RAL1102)
- C Green(RAL6018/U)

G RoHS compliant (lead<4%)
In copper Alloy
0000 "@ " Logo
000A "ANY" Logo
...
Any special item by customer request, please contact sales department

Amphenol
ANYTEK

CUSTOMER COPY

ALL RIGHTS RESERVED. REPRODUCTION OR ISSUE TO THIRD PARTIES IN ANY FORM WHATSOEVER IS NOT PERMITTED WITHOUT WRITTEN AUTHORITY FROM THE PROPRIETOR. PROPERTY OF ANYTEK TECHNOLOGY CO., LTD

TITLE				QO 5.08mm 90° Close Series 2p-24p 反向折弯			
PART NO.		OQxx54xAxxxxG		DWG NO.		80Q07461	
APPROVED	CHECKED	DESIGNED	DRAWN	CUST NO.		Tolerance	
		zhangcan	zhangcan			X.	±0.50
		10/23-18	10/23-18			UNIT: mm	X.X
SHEET: 01/01				REV.: B		X.XX	±0.10
						X°	±1°