

PART NUMBER	REV	FIRST USED	TERMINATOR	FEED TYPE	DESCRIPTION
1426466-1	C	-	LEADMAKER	MECH POST FEED	CUTS CARRIER
1426466-2	C	-	BENCH	MECH PRE FEED	CUTS CARRIER
1426466-6	C	-	LEADMAKER	MECH POST FEED	CONTINUOUS CARRIER
7-1426466-1	C	-	LEADMAKER	MECH POST FEED	-1 AND SPARE PARTS
7-1426466-2	C	-	BENCH	MECH PRE FEED	-2 AND SPARE PARTS
7-1426466-6	C	-	LEADMAKER	MECH POST FEED	-6 AND SPARE PARTS
7-1426466-7	A	-	-	-	SPARE PARTS KIT

CRIMP DATA REITER & SCHEFENACKER TERM AMP CRIMP SPECS
TERMINAL NAME: R & S LAMP SOCKET

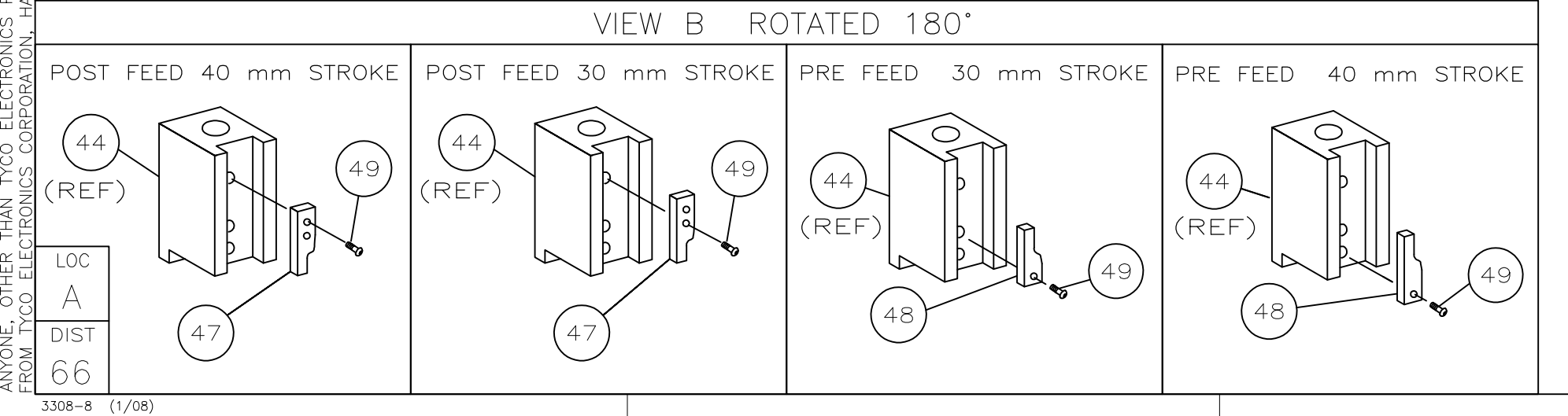
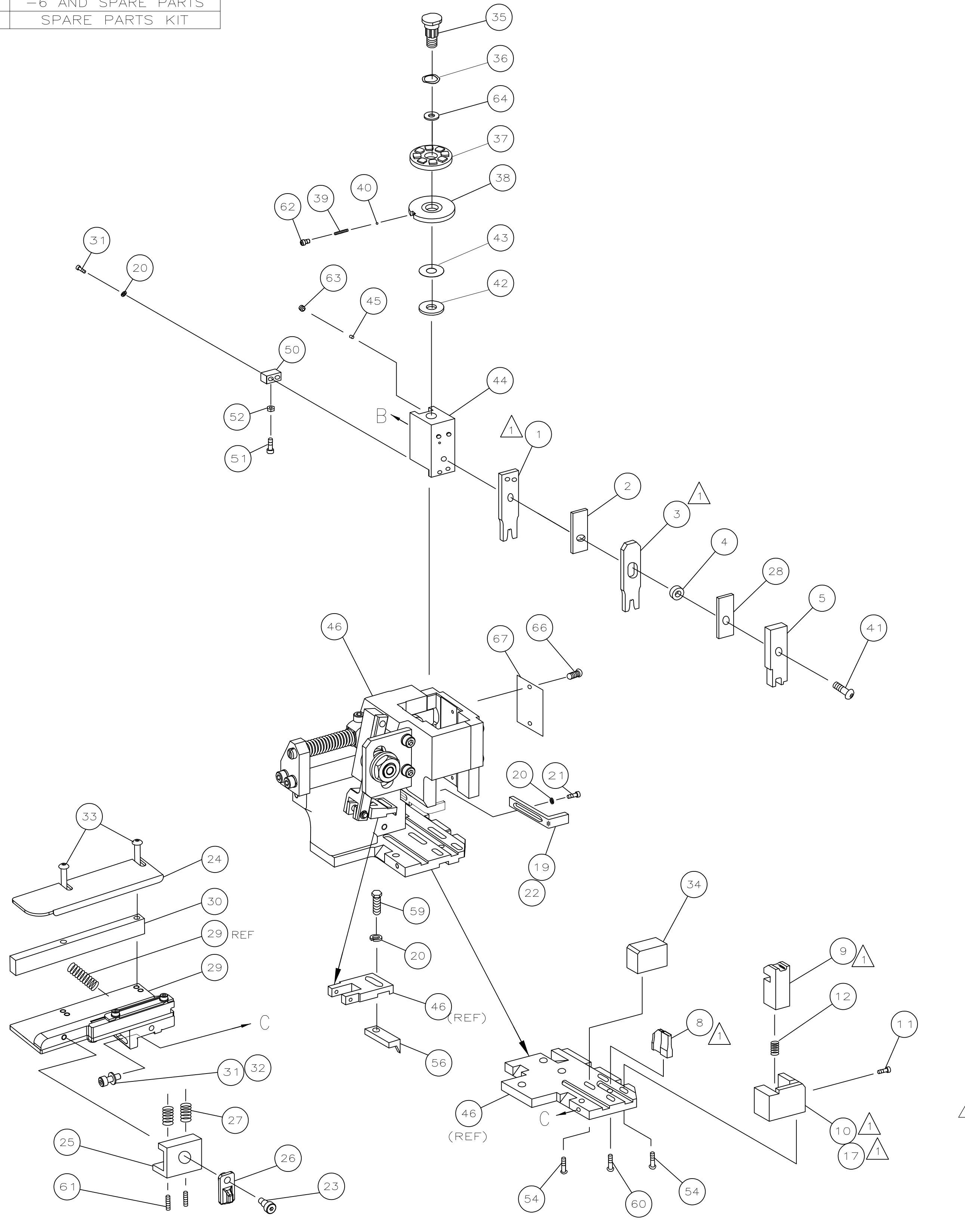
CRIMP	SIZE	TYPE	RANGE
WIRE	1.57 [.062 IN]	F	0.35mm ²
INSUL	2.29 [.090 IN]	0	1.52 MAX [.060 IN MAX]
WIRE STRIP LENGTH		APPL INSTRUCTION	
2.41-3.18 [.095-.125 IN]		408-8322	

TERMINALS APPLIED

AMP TERM PN	MFR TERM PN	-	-
1572370-1	374151	-	-
-	-	-	-
-	-	-	-
-	-	-	-
-	-	-	-
-	-	-	-
-	-	-	-

WIRE SIZE	CRIMP HEIGHT	PIN PN AND LENGTH [IN]
mm ² AWG		
0.35mm ²	1.12 ±0.05 [.044 ±.002 IN]	2-354779-8 [.3130]
-	-	-
-	-	-
-	-	-
-	-	-
-	-	-
-	-	-
-	-	-
-	-	-
-	-	-
-	-	-
-	-	-
-	-	-

- RECOMMENDED SPARE PARTS.
 - GREASE RAM, CAM, CAM FOLLOWER AND FEED ROD LIGHTLY.
 - LUBRICATE DAILY PER THE APPLICATOR INSTRUCTION SHEET SUPPLIED WITH THE APPLICATOR.
- A** CRIMP DATA CALCULATED BY TYCO LTD.



QTY REQD PER ASSY	PART NO	DESCRIPTION	ITEM NO						
-	-	-	73						
1	1426466	PRINT, APPLICATOR LOG SHEET	72						
1	1338705-1	DOCUMENTATION PACKAGE	71						
-	-	-	70						
-	-	-	69						
-	-	-	68						
1	461264-1	PLATE, IDENTIFICATION	67						
2	21017-2	SCR,DRIVE(#2x.19)ID PLATE	66						
-	-	-	65						
1	986950-1	WASHER, FLAT PRECISION	64						
1	3-18031-0	SCR,SKT SET(M6X6)RAM	63						
1	18023-9	SCR,SHC(M4X6)INS DISC	62						
2	2-18032-5	SCR,SET(M5X20)DRAG	61						
1	18024-7	SCR,BHC(M4X10)ANVIL	60						
1	5-18022-2	SCR,HEX(M4X8)FEED FINGER	59						
-	-	-	58						
-	-	-	57						
1	1338685-1	PAWL, FEED	56						
-	-	-	55						
4	18024-8	SCR,BHC(M4x12)SHEAR HOLDER	54						
-	-	-	53						
1	18030-1	NUT,HEX(M3)HOLD DOWN	52						
1	811242-5	BUMPER, HOLDDOWN	51						
1	690753-2	SPACER, TONKER	50						
1	18024-3	SCR,BHC(M3X10)CAM	49						
1	1338675-1	CAM, PRE FEED 30 & 40 mm ST	48						
1	1338676-1	CAM, POST FEED 30 & 40 mm ST	47						
1	1320999-3	APPLICATOR BASIC SUBASSY	46						
1	690191-1	PLUG, NYLON	45						
1	1338660-3	RAM	44						
1	690125-1	WASHER, LAMINATED	43						
1	690124-1	WASHER, RAM	42						
1	2-18024-6	SCR,BHC(M8X25)RAM	41						
1	23241-1	BALL, STEEL	40						
1	2-22278-7	SPRING, COMPRESSION	39						
1	1320922-1	DISC, INSULATION	38						
1	354777-1	WIRE DISC, PLASTIC	37						
1	22480-5	WASHER, SPRING	36						
1	690212-1	POST, RAM	35						
1	2-1320934-2	SUPPORT, TERMINAL	34						
2	1-18024-0	SCR,BHC(M4X20)STRIP GUIDE	33						
1	18027-2	WASHER, FLAT(M4)	32						
3	1-18023-2	SCR,SKT CAP(M4X12)MOUNT BLOCK	31						
1	1320908-2	SPACER, STRIP GUIDE	30						
1	1-1633073-2	STRIP GUIDE PLATE ASSY	29						
1	1-455888-0	SPACER, FRONT SHEAR DEP	28						
2	1-22284-0	SPRING, DRAG	27						
1	356835-1	LEVER, DRAG RELEASE	26						
1	240792-1	DRAG, TERMINAL	25						
1	1320928-2	PLATE, STRIP GUIDE	24						
1	980371-4	SCR,SHC SHLD	23						
1	690472-2	STRIPPER	22						
1	1-18023-1	SCR,SHC(M4X10)STRIPPER	21						
4	18025-2	WASHER,LOCK(M4)STRIPPER	20						
1	690472-1	STRIPPER	19						
-	-	-	18						
1	1338684-3	HOLDER, SHEAR, FRONT (NO-CUT)	17						
-	-	-	16						
-	-	-	15						
-	-	-	14						
-	-	-	13						
1	3-22280-3	SPRING, SHEAR	12						
1	356885-4	STOP, SHEAR	11						
-	1320921-5	HOLDER, SHEAR, FRONT (CUT)	10						
1	462006-9	SHEAR, FLOAT (FRONT)	9						
1	5-1333202-4	ANVIL	8						
-	-	-	7						
-	-	-	6						
1	2-455889-0	DEPRESSOR, SHEAR (FRONT)	5						
1	238011-9	SPACER, BLOCK CRIMPER	4						
1	8-456135-0	CRIMPER, INSULATION	3						
1	455888-4	SPACER, CRIMPER	2						
1	4-456403-2	CRIMPER, WIRE	1						
-77	-76	-72	-71	-6	-2	-1	PART NO	DESCRIPTION	ITEM NO