

Fig. 1

## 1. INTRODUCTION

This instruction sheet (IS) covers the AMP-LATCH Universal Header Assemblies and accessories shown in Figure 1.

Read this material thoroughly before starting assembly.

**NOTE**

*All dimensions on this sheet are in inches.*

## 2. DESCRIPTION

Header assemblies are available with 10 through 64 contact positions. They are designed to be used with AMP-LATCH Receptacle Connectors.

Each header assembly consists of a housing loaded with contact posts. The housing features (1) mounting flanges for right-angle and straight-through mounting to the surface of a printed circuit (pc) board, (2) hinge post holes and slots for positioning the latches, (3) polarizing slots to accom-

modate polarized connectors, and (4) a "V"-shaped "position 1" indicator for circuit orientation. The contacts are available for both straight and right-angle applications with either .025-in. round or square post tails of various lengths. Round tail contacts are for .062 or .125-in. thick pc board solder applications, and square tail contacts are for wire applications.

Accessories include two types of latches and a special hardware kit. They are designed to hold mated connectors firmly in place, and extract contacts from posts when disengaging connectors. One type of latch is for AMP-LATCH Receptacle Connectors with standard covers, and the other type of latch is for AMP-LATCH Receptacle Connectors with strain relief covers. The hardware kit contains two special 2-56 UNC screws and two nuts for securing a through-mount connector to a pc board of 1/8 in. maximum thickness. Commercially available hardware is recommended for securing a right-angle mount connector. See Figure 1.

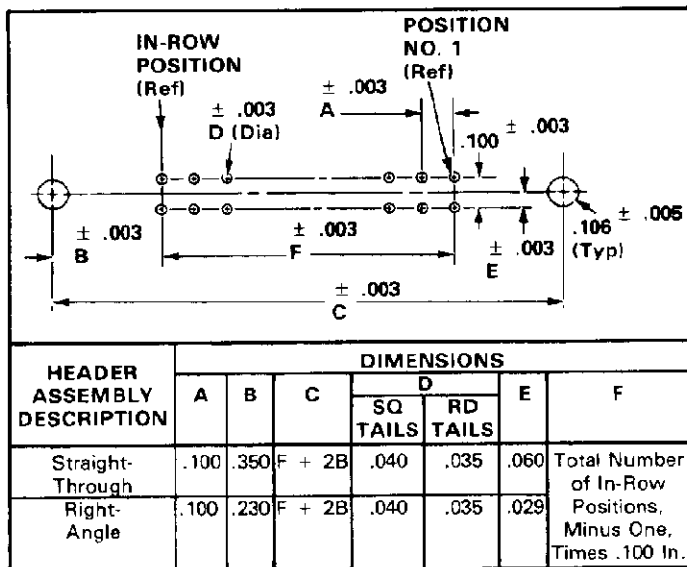


Fig. 2

### 3. INSTALLATION

The header assemblies are designed to be mounted to a pc board using the dimensions shown in Figure 2. They can be used for solder type and wire type applications.

#### A. Straight-Through Header Assemblies

1. Make a layout on the pc board using the appropriate dimensions from the chart in Figure 2.
2. Determine whether the mating connector has a standard or strain relief cover — then select two of the appropriate type of latches and a hardware kit from the chart in Figure 1.
3. Orient header assembly so contacts and mounting holes are properly aligned with hole pattern in pc board (assembly is NOT symmetrical).
4. Insert the contact posts through the holes in the pc board until the housing bottoms.
5. Insert hardware screws into mounting holes of housing and secure with hardware nuts. See Figure 1.
6. Install a latch in each end of the header as follows:

- a. Align latch with header as shown in Figure 3 — note that release tab must be parallel with end of housing.
- b. Keeping tab parallel, insert the hinge posts into the hinge slots until locked in the hinge post holes. See Figure 3.

#### B. Right-Angle Header Assemblies

1. Make a layout on the pc board using the appropriate dimensions from the chart in Figure 2.

2. Determine whether the mating connector has a standard or strain relief cover — then select the appropriate latch kit from the chart in Figure 1.
3. Install a latch in each end of the header:
  - a. Align latch with header as shown in Figure 3 — note that release tab must be parallel with end of housing.
  - b. Keeping tab parallel, insert the hinge posts into the hinge slots until locked in the hinge post holes. See Figure 3.
4. Insert the contact posts through the holes in the pc board until housing bottoms.
5. Secure the header assembly to the pc board using suitable hardware such as screws and hex nuts. See Figure 1.

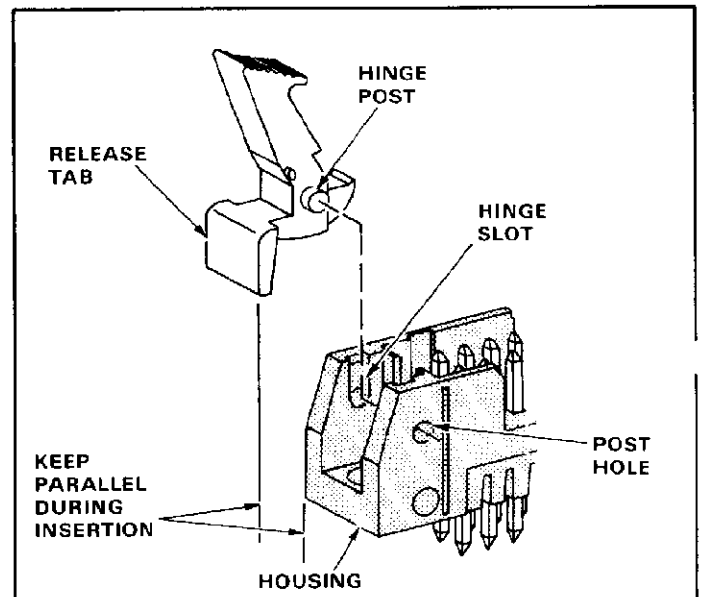


Fig. 3

### 4. CONNECTOR ENGAGEMENT/ DISENGAGEMENT

#### A. Engagement

1. Spread latches as shown in Figure 1.
2. Align connector and insert it straight into header until bottomed.

#### B. Disengagement

The connector can be released by the release tabs or connector hold-downs.

1. Release Tabs — firmly grip tabs and push them toward BACK of header.
2. Connector Hold-downs — spread hold-downs outward.

NOTE

Upon release, the connector lifts will push the connector out of the header. See Figure 1.