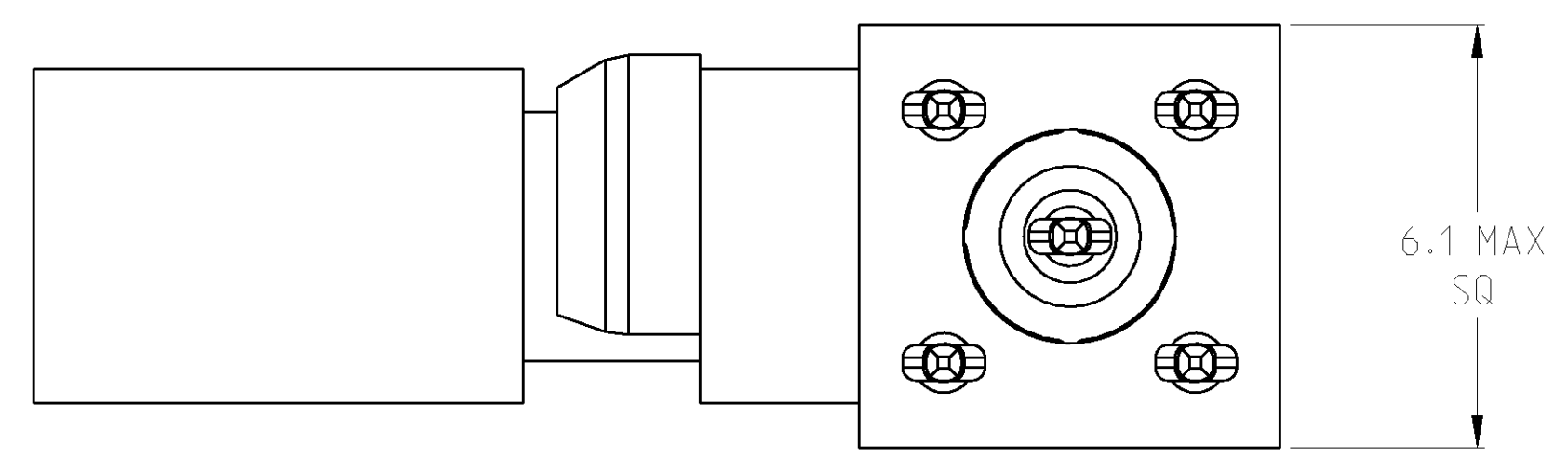
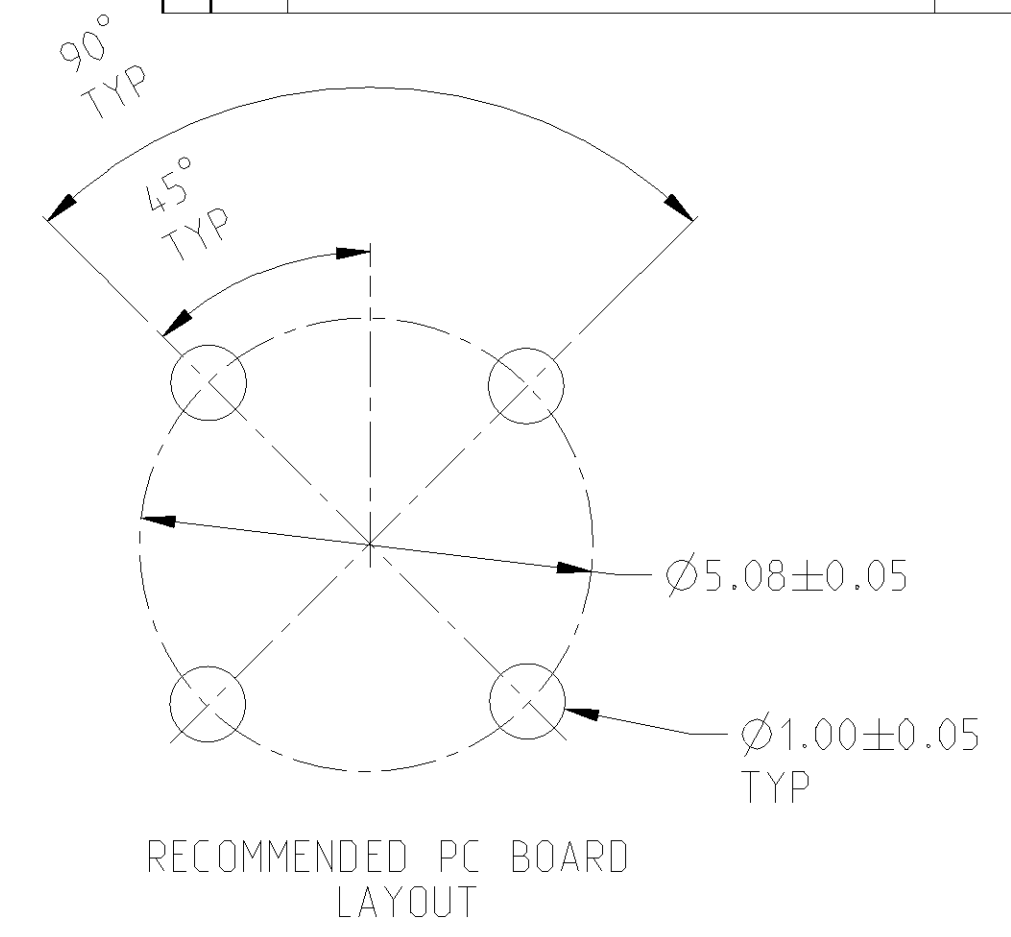
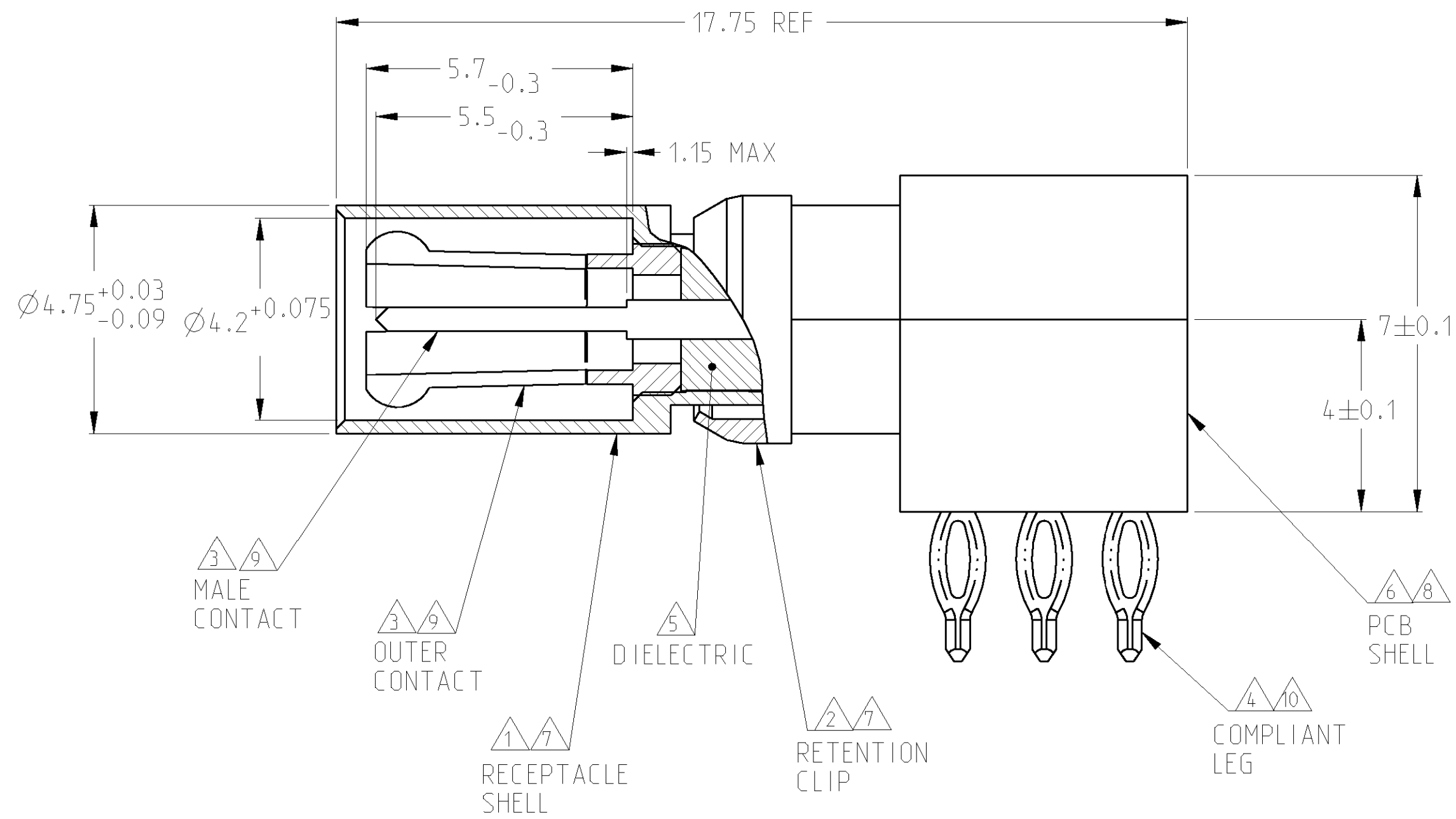


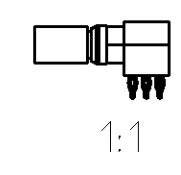
THIS DRAWING IS UNPUBLISHED. RELEASED FOR PUBLICATION 20
 © COPYRIGHT 20 BY TYCO ELECTRONICS CORPORATION. ALL RIGHTS RESERVED.

LOC	DIST	REVISIONS					
		P	LTR	DESCRIPTION	DATE	DWN	APVD
AJ	16	D		REV PER 0S14-0220-04	19AUG2004	KW	KW
		E		REVISED PER ECO-06-007956	16MAY2006	KS	KW



- △ BRASS PER ASTM-B-16
- △ BERYLLIUM COPPER PER ASTM-B-194
- △ BERYLLIUM COPPER PER ASTM-B-196
- △ PHOS BRONZE PER ASTM-B-103
- △ POLYMETHYLPENTENE, GENERAL PURPOSE
- △ ZINC PER QQ-Z-363
- △ NICKEL PLATE PER QQ-N-290
- △ NICKEL PLATE PER MIL-C-26074
- △ GOLD PLATE PER ASTM-B488
- △ TIN-LEAD PLATE PER ASTM-B-545

148386-1
 Part number



THIS DRAWING IS A CONTROLLED DOCUMENT FOR TYCO ELECTRONICS CORPORATION IT IS SUBJECT TO CHANGE AND THE CONTROLLING ENGINEERING ORGANIZATION SHOULD BE CONTACTED FOR THE LATEST REVISION.		DWN M. OBRINE 29MAY1998 CHK K. WEIDNER 29MAY1998 APVD K. WEIDNER 29MAY1998	tyco Electronics Tyco Electronics Harrisburg, PA 17105-3608
DIMENSIONS: mm	TOLERANCES UNLESS OTHERWISE SPECIFIED: 0 PLC ± 1 PLC ± 2 PLC ± 3 PLC ± 4 PLC ± ANGLES ± FINISH	PRODUCT SPEC APPLICATION SPEC WEIGHT CUSTOMER DRAWING	NAME PCB PIN RTANG COMPLIANT SIZE CAGE CODE DRAWING NO RESTRICTED TO A2 00779 C-148386 -
		SCALE 10:1	SHEET 1 OF 1 REV E