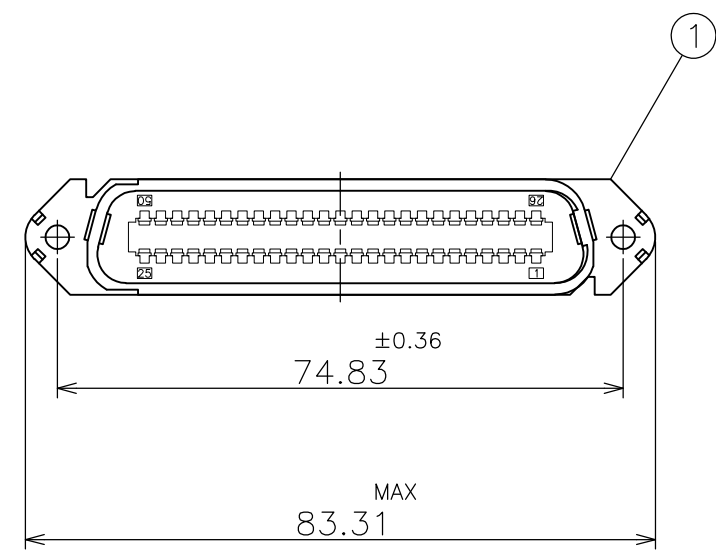
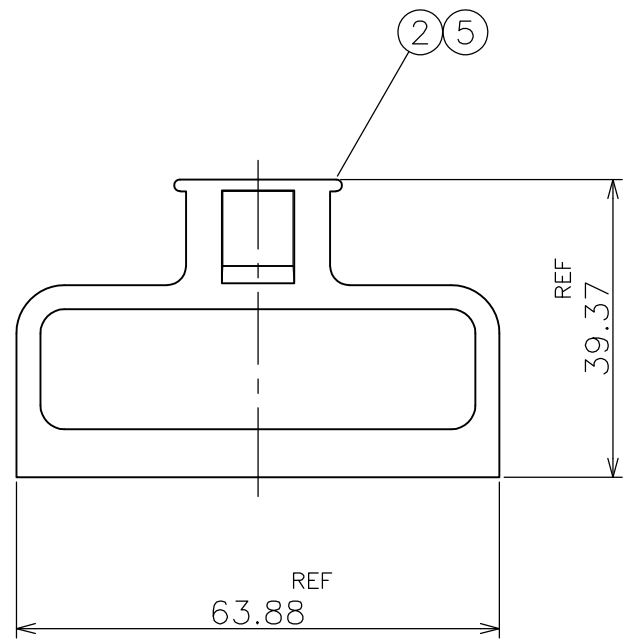
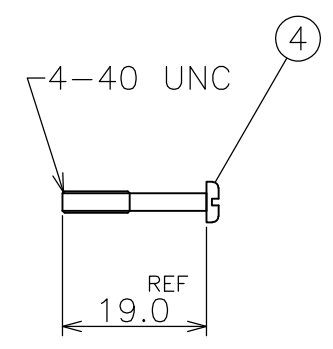
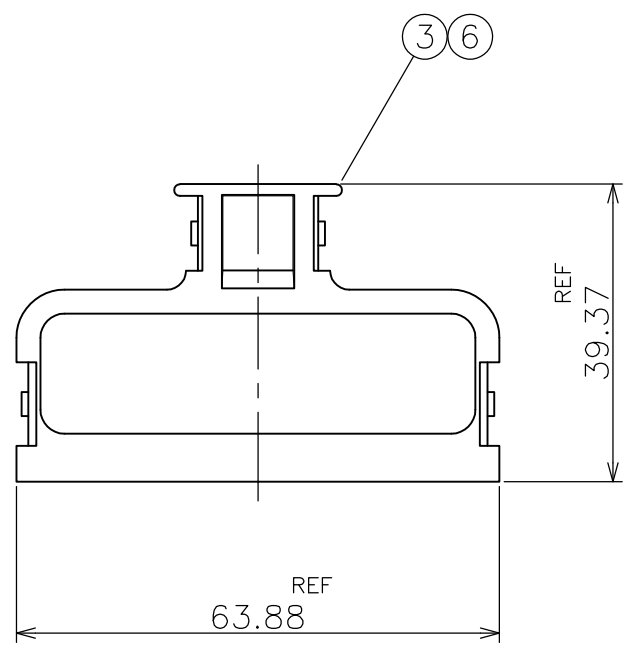


THIS DRAWING IS UNPUBLISHED. RELEASED FOR PUBLICATION AUG ,1992.
 © COPYRIGHT 1992 By - ALL RIGHTS RESERVED.

LOC	DIST	REVISIONS			
P	LTR	DESCRIPTION	DATE	DWN	APVD
J		A1	REVISED ECR-12-013666	26MAR13	K.M E.T




1. THESE COMPONENTS MUST BE PACKED THE CONDITION OF LOOSE PIECE IN POLYETHYLENE BAG.



A1
OBSOLETE

1	-	CABLE COVER KIT 180°	∅12.19~∅13.97	552008-1	5,6
+	1	CABLE COVER 180° (GRV SIDE)	∅10.92~∅12.45	4-552007-1	4
+	1	CABLE COVER 180° (TNG SIDE)		4-552006-1	3
2	1	CAPTIVE PAN HEAD SCREW	—//—	5229911-1	2
1	1	CHAMP PLUG 50P	—//—	229974-1	1
-2	-1	NAME	CABLE RANGE DIAMETER	PART NO.	ITEM NO.

QTY REQD PER ASSY PARTS LIST

THIS DRAWING IS A CONTROLLED DOCUMENT.		DWN C.WANG 2AUG05	 TE Connectivity CHAMP PLUG CABLE COVER KIT			
DIMENSIONS: mm		CHK I.WANG 2AUG05				
TOLERANCES UNLESS OTHERWISE SPECIFIED:		APVD S.YAO 2AUG05				
0 PLC ± 1 PLC ± 2 PLC ± 3 PLC ± 4 PLC ± ANGLES ± MATERIAL FINISH		NAME				
MATERIAL		PRODUCT SPEC	SIZE	CAGE CODE	DRAWING NO	RESTRICTED TO
		APPLICATION SPEC	A3 00779		C-5177578	
		WEIGHT	CUSTOMER DRAWING		SCALE 1:1	SHEET 1 OF 1
					REV A1	