

821B R YY - 2 1 3 R 00 1

SERIES
12.00 [0.475]

R = RIGHT ANGLE

OF POSITIONS
(Ex. 02)
SEE CHART A

1 = GOLD FLASH
RoHS COMPLIANT
NICKEL/CHROME PLATED SHELL
VERTICAL (PANEL MOUNT)
2 = FEMALE

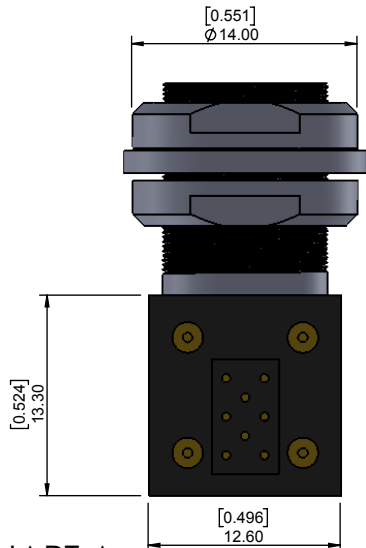
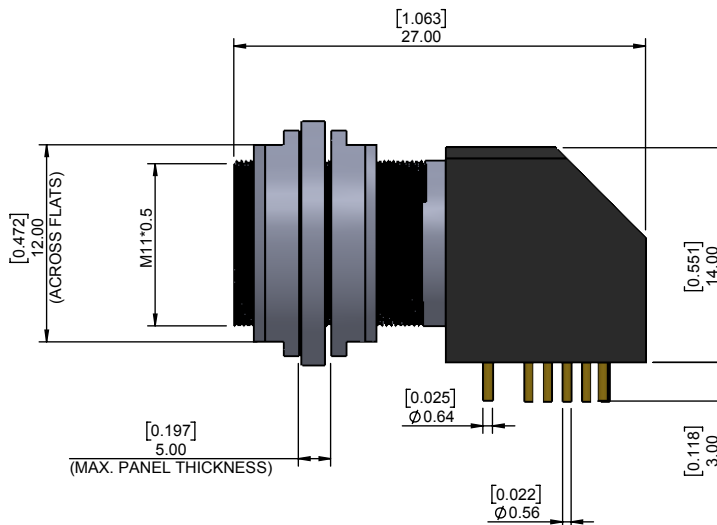


CHART A



● = KEY LOCATION **VIEW FROM MATING FACE**

CHARACTERISTICS

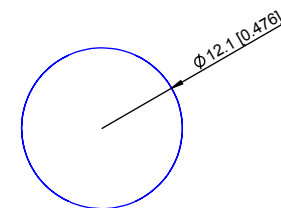
MATERIALS

SHELL : BRASS
SHELL PLATING : NICKEL
NUT : BRASS
NUT PLATING : NICKEL
LATCH SLEEVE : BRASS
LATCH SLEEVE PLATING : NICKEL
CONTACTS : COPPER ALLOY
CONTACT PLATING : 7µ" GOLD PLATED OVER 196µ" NICKEL MIN.
INSULATOR : PPS (HIGH TEMPERATURE)

MECHANICAL

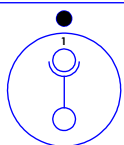
DURABILITY: 5000 CYCLES
OPERATING TEMP. RANGE: -40° C ~ +200° C
PROCESS TEMPERATURE : 260° C FOR 5 SECONDS
MAX. TORQUE VALUE : 4.5 Nm [39 IN/lbs]
SHIELDING: 75dB @ 10MHz
40dB @ 1GHz

IP RATING: 50



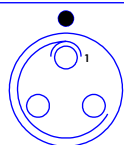
PANEL CUTOUT

TOLERANCE = +0.10, -0.0
[+0.004, -0.00]



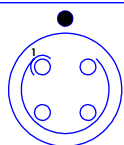
2 POSITION
12 AMP MAX.
PIN Ø = 1.30 [0.051]

CONTACT RESISTANCE = 5 mΩ
TEST VOLTAGE = 1500V
WORKING VOLTAGE = 500V



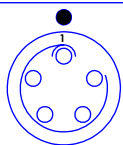
3 POSITION
12 AMP MAX.
PIN Ø = 1.30 [0.051]

CONTACT RESISTANCE = 5 mΩ
TEST VOLTAGE = 1300V
WORKING VOLTAGE = 430V



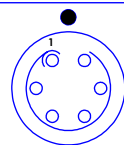
4 POSITION
6 AMP MAX.
PIN Ø = 0.90 [0.035]

CONTACT RESISTANCE = 6 mΩ
TEST VOLTAGE = 1300V
WORKING VOLTAGE = 430V



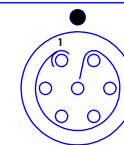
5 POSITION
6 AMP MAX.
PIN Ø = 0.90 [0.035]

CONTACT RESISTANCE = 6 mΩ
TEST VOLTAGE = 1250V
WORKING VOLTAGE = 415V



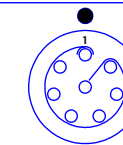
6 POSITION
6 AMP MAX.
PIN Ø = 0.70 [0.028]

CONTACT RESISTANCE = 7.5 mΩ
TEST VOLTAGE = 1050V
WORKING VOLTAGE = 350V



7 POSITION
6 AMP MAX.
PIN Ø = 0.70 [0.028]

CONTACT RESISTANCE = 7.5 mΩ
TEST VOLTAGE = 950V
WORKING VOLTAGE = 315V



8 POSITION
5 AMP MAX.
PIN Ø = 0.70 [0.028]

CONTACT RESISTANCE = 7.5 mΩ
TEST VOLTAGE = 950V
WORKING VOLTAGE = 315V

NOTE
SEE PAGE 2 FOR
BOARD LAYOUTS

RoHS COMPLIANT



THESE DRAWINGS AND SPECIFICATIONS ARE THE PROPERTY OF NorComp AND SHALL NOT BE REPRODUCED, COPIED OR USED AS THE BASIS FOR THE MANUFACTURE OR SALE OF APPARATUS WITHOUT WRITTEN PERMISSION.

NorComp

DRAWN:
M. SIGMON

DATE:
02-15-16

SCALE:
N.T.S.

SHEET OF
1 2

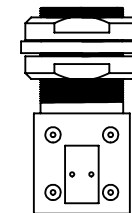
REV:
3

DWG NO.
821BRYY-213R001

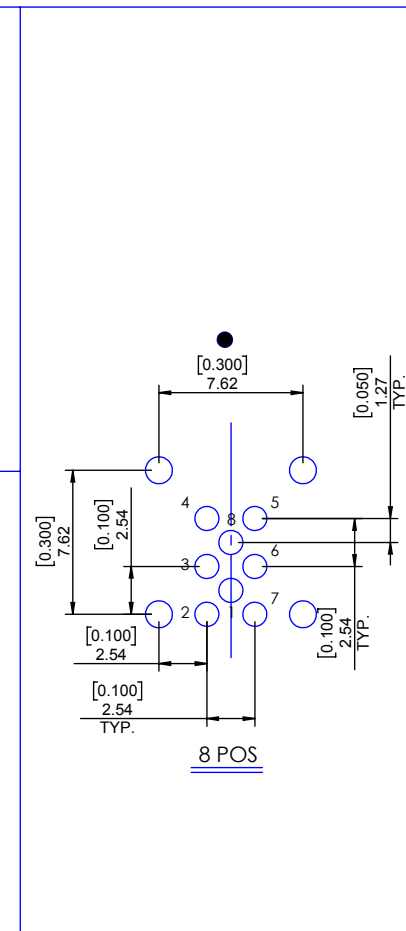
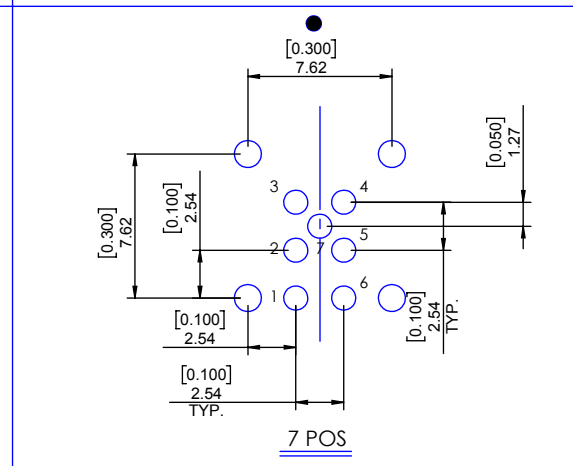
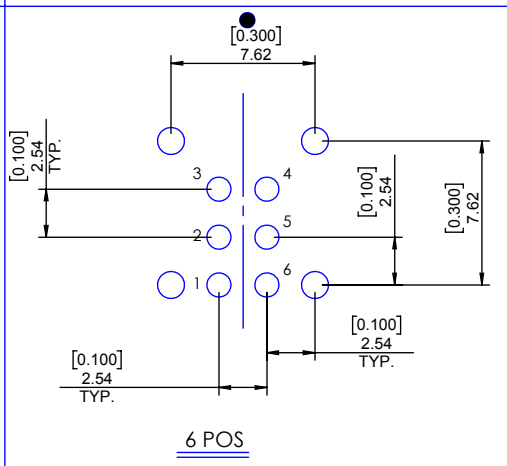
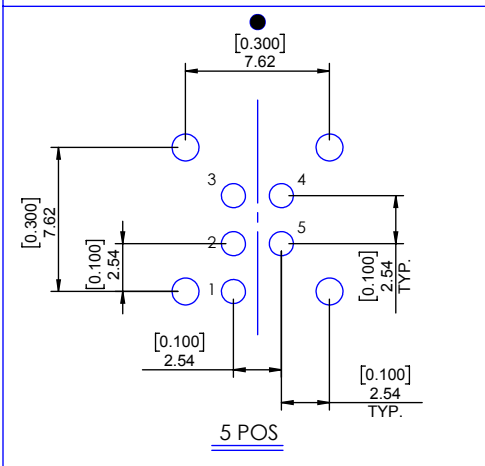
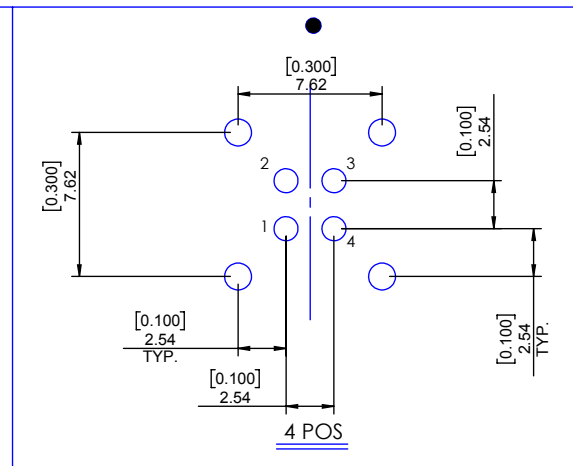
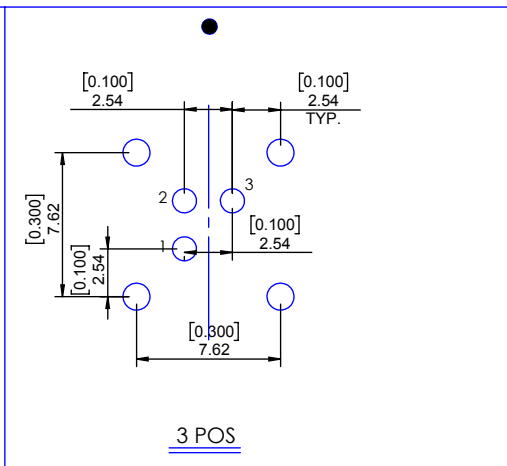
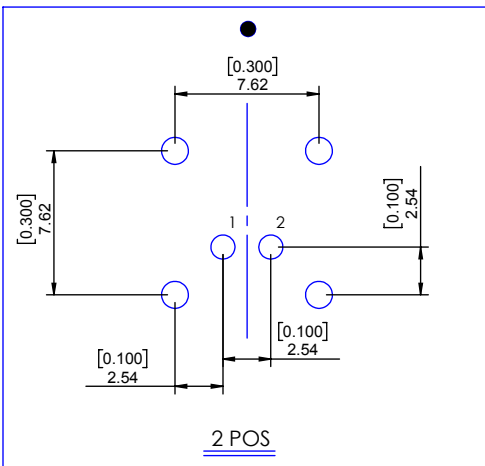
BOARD LAYOUTS

● = KEY LOCATION

ALL HOLE SIZES: $\varnothing 0.80$ [0.031]



VIEW SHOWN FOR CONNECTOR ORIENTATION



RoHS COMPLIANT



THESE DRAWINGS AND SPECIFICATIONS ARE THE PROPERTY OF NorComp AND SHALL NOT BE REPRODUCED, COPIED OR USED AS THE BASIS FOR THE MANUFACTURE OR SALE OF APPARATUS WITHOUT WRITTEN PERMISSION.

NorComp

DRAWN: M. SIGMON

DATE: 02-15-16

SCALE: N.T.S.

SHEET OF 2 2

REV: 3

DWG NO. 821BRYY-213R001