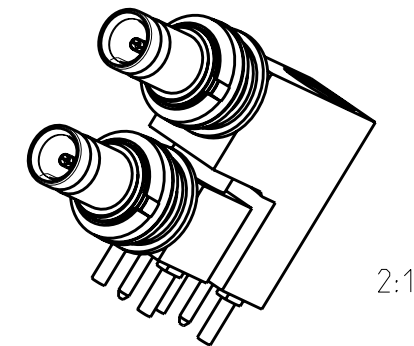
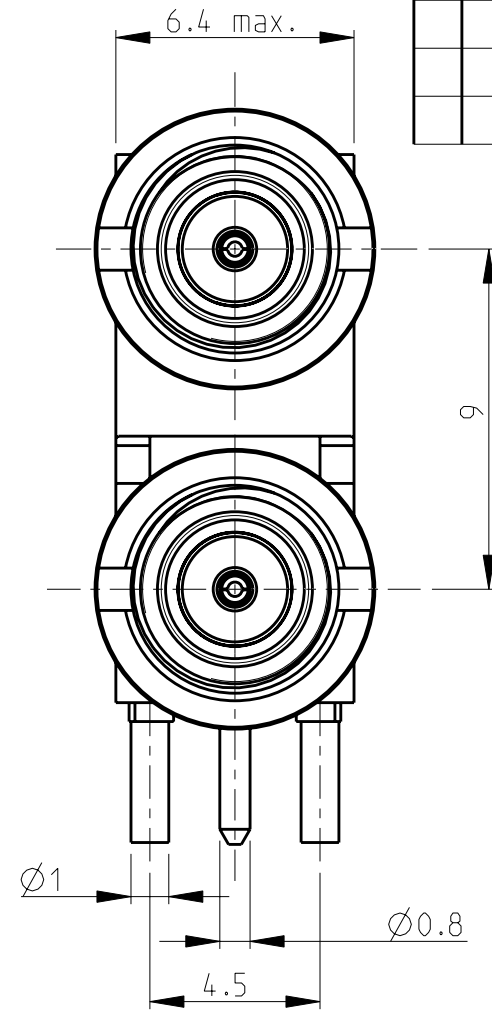
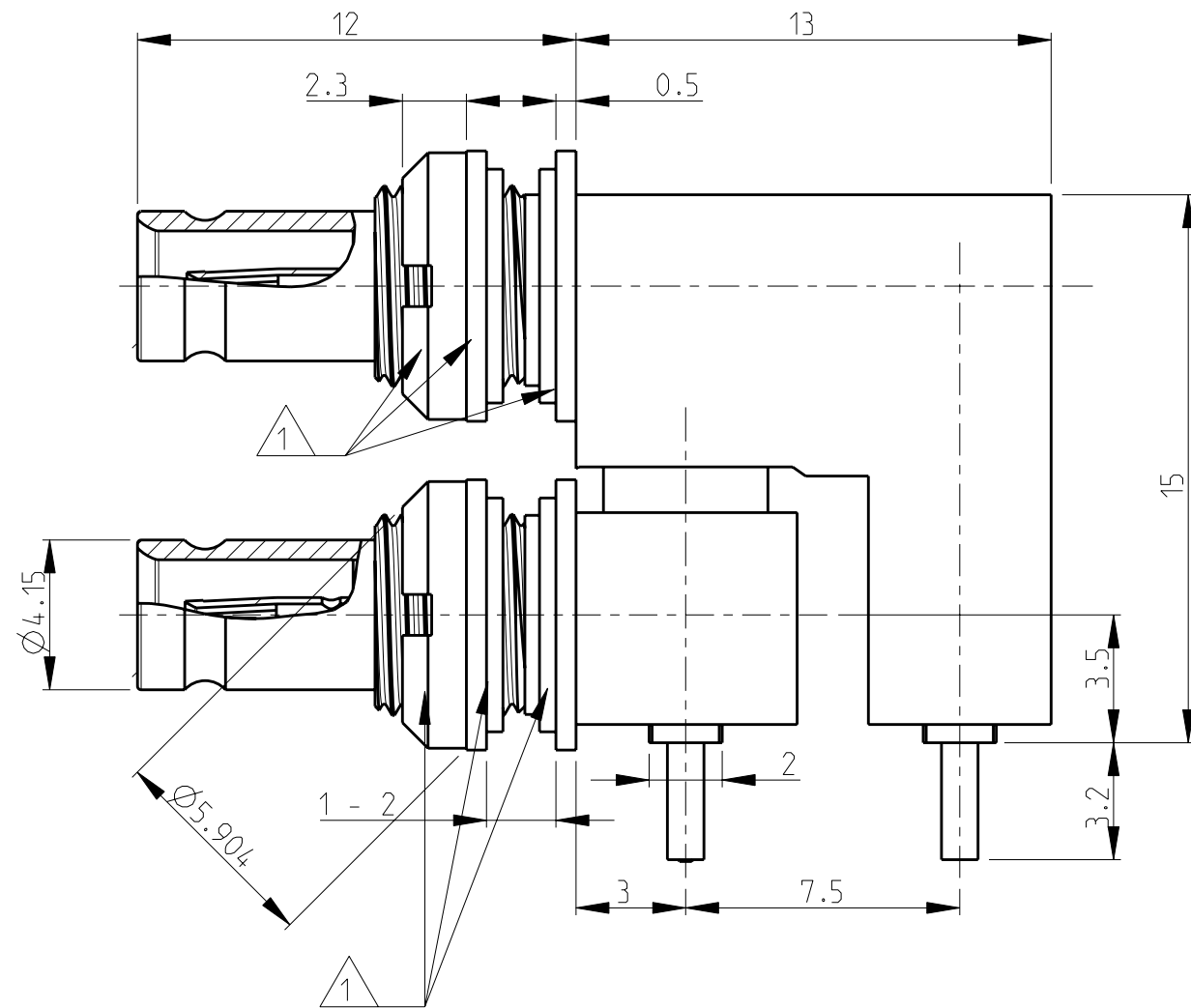
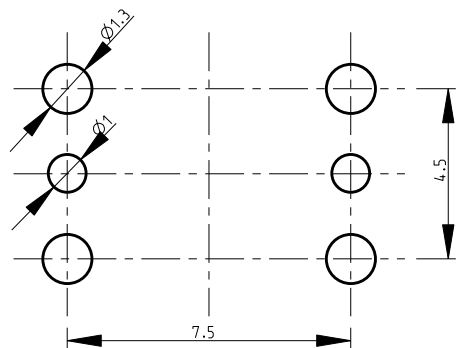


THIS DRAWING IS UNPUBLISHED. RELEASED FOR PUBLICATION 2000
 © COPYRIGHT 2000 BY TYCO ELECTRONICS CORPORATION. ALL RIGHTS RESERVED.

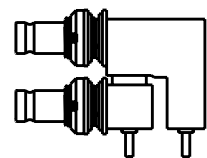
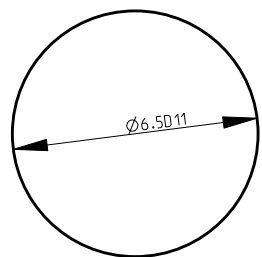
LOC	DIST	REVISIONS				
P	LTR	DESCRIPTION	DATE	DWN	APVD	
GW	-	A	ROHS complaint, Supercedes PN 8-1393670-5	25AUG2006	AM	DB



Recommended PCB layout



Frontpanel



1:1

2. Mating face according to DIN 47297 and CECC 22230
 1 Supplied as loose part

Tyco Nr	Description	Material	Plating
6-1460822-1	Body	Brass	3µm Ag min
	Dielectric	PTFE	
	Outer Con.	Brass	1µm Au min in contact area
	Center Con.	Cu Be	1µm Au min in contact area

DIMENSIONS:		TOLERANCES UNLESS OTHERWISE SPECIFIED:		DWN	Tyco Electronics	
mm				A.Mariotti	Tyco Electronics	
		0 PLC	±	25AUG2006	Oostkamp - Belgium	
		1 PLC	±0.5	CHK D.Bozzer		
		2 PLC	±0.13	25AUG2006		
		3 PLC	±0.013	APVD D.Bozzer		
		4 PLC	±0.0001	25AUG2006		
		ANGLES	±	D.Bozzer		
MATERIAL -		FINISH -		PRODUCT SPEC		NAME
				108-71032		RIGHT-ANGLE BULKHEAD JACK WITH PCB CONNECTION
				APPLICATION SPEC		DIN 1.0-2.3 75 Ohm
				WEIGHT -		SIZE
				-		CAGE CODE
				-		DRAWING NO
				-		RESTRICTED TO
				-		A3 00779
				-		6-1460822-1
				-		SCALE
				-		5:1
				-		SHEET
				-		1 OF 1
				-		REV
				-		A