

# PV1 SERIES ANTI-VANDAL SWITCH

ANTI-VANDAL SWITCHES  
DETECTOR SWITCHES  
DIP SWITCHES  
KEYLOCK SWITCHES  
NAVIGATION SWITCHES  
PUSHBUTTON SWITCHES  
ROCKER SWITCHES  
ROTARY SWITCHES  
SLIDE SWITCHES  
SNAP ACTION SWITCHES  
TACTILE SWITCHES  
TOGGLE SWITCHES  
CAP OPTIONS



## APPLICATIONS / MARKETS



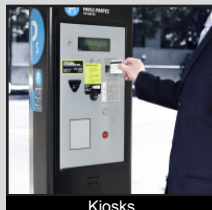
Audio / Visual



Security Devices



Industrial Controls



Kiosks



Electrical Housewares



Medical Equipment

# RoHS

## SPECIFICATIONS

**Electrical Rating:** 2A, 36VDC  
**Mechanical Life:** 1,000,000 Cycles  
**Electrical Life:** 200,000 Cycles  
**Contact Resistance:** 50mΩ Max.  
**Insulation Resistance:** 1000 MΩ Min.  
**Dielectric Strength:** 2,000VAC  
**Operating/Storage Temperature:** -20°C to 55°C  
**Travel:** 2.50mm  
**Moisture Protection:** IP65  
**Contact Arrangement:** SPST Off-(On)  
**Actuation Force:** 4 N  
**Panel Thickness:** 1-8mm  
**Mounting Nut Torque:** 0.8Nm

## FEATURES & BENEFITS

- 19mm panel cutout
- Solder or screw termination options
- Flat, high or domed actuator options
- IP65 rated

## PART NUMBER CONFIGURATOR

Series	Actuator Options	Terminal Options	Function Options	Rating Options	Body Finish Options	Actuator Finish Options	Contact Material Options	Marking Options
<input type="text" value="PV1"/>	<input type="text" value="F"/>	<input type="text" value="2"/>	<input type="text" value="4"/>	<input type="text" value="0"/>	<input type="text" value="G"/>	<input type="text" value="G"/>	<input type="text" value="NONE"/>	<input type="text" value="NONE"/>
PV1	F - Flat H - High S - Domed	2 - Solder 6 - Screw	4 - Off - (On)*	0 - 2A, 36VDC	G - Gold N - Nickel S - Polished Stainless B - Brushed Stainless 1 - Black Anodized	G - Gold N - Nickel S - Polished Stainless B - Brushed Stainless 1 - Black Anodized	NONE - Silver G - Gold	NONE - Non-Illuminated M01 - Power Symbol

**NOTES:**

\*(ON) Denotes function is momentary

Specifications subject to change without notice



**E-SWITCH®**

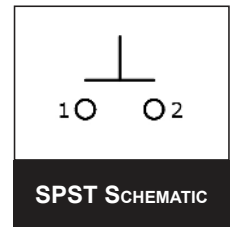
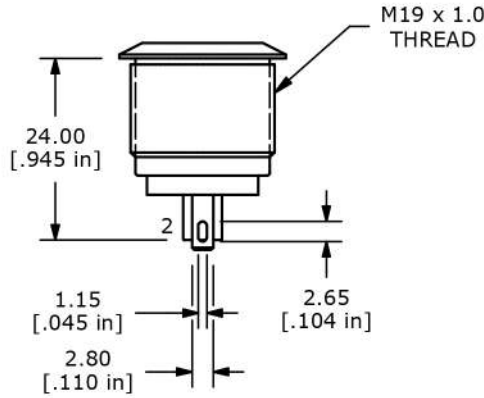
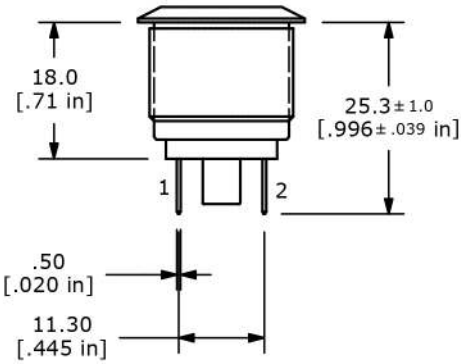
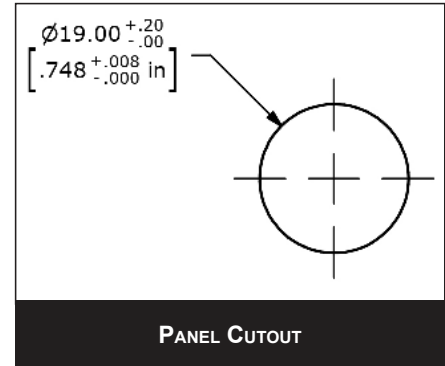
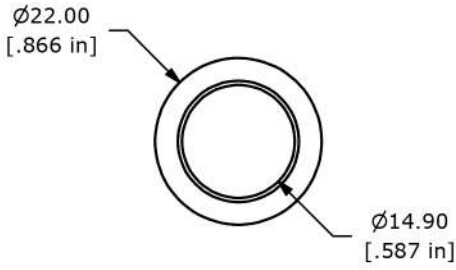
www.e-switch.com

800.867.2717

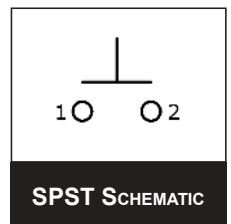
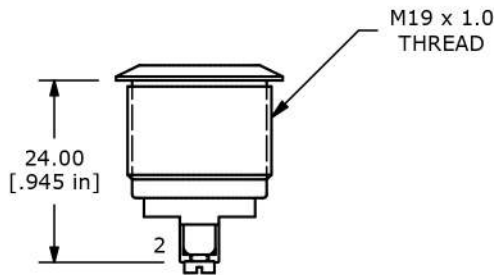
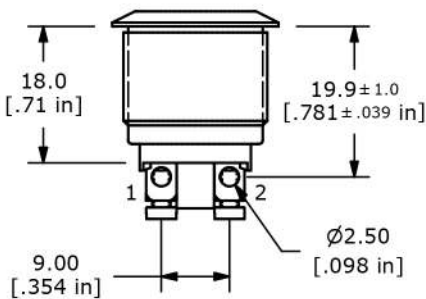
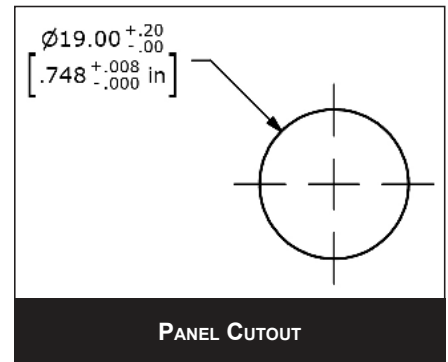
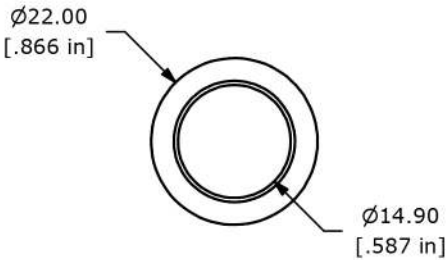
2

# PV1 SERIES ANTI-VANDAL SWITCH

## SOLDER TERMINATION

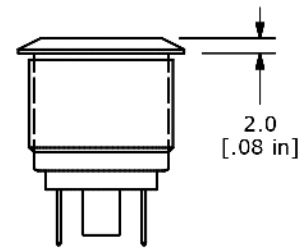
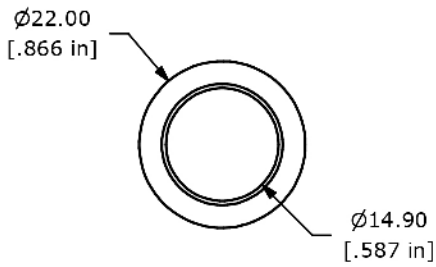


## SCREW TERMINATION

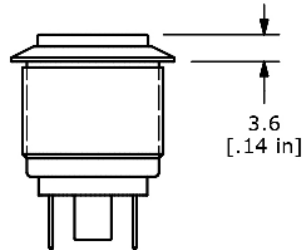
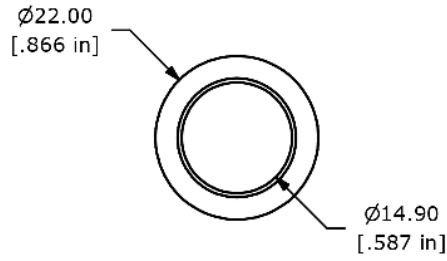


# PV1 SERIES ANTI-VANDAL SWITCH

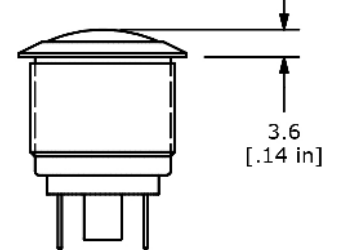
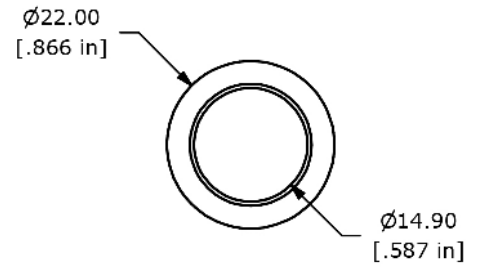
## ACTUATOR OPTIONS



FLAT ACTUATOR

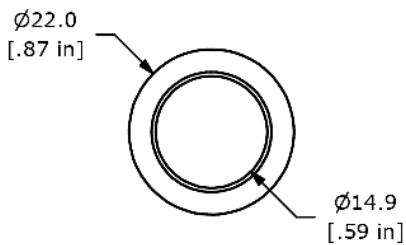


HIGH ACTUATOR

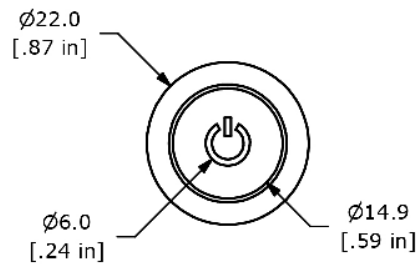


DOMED ACTUATOR

## GRAPHIC OPTIONS



NONE



M01 POWER SYMBOL

