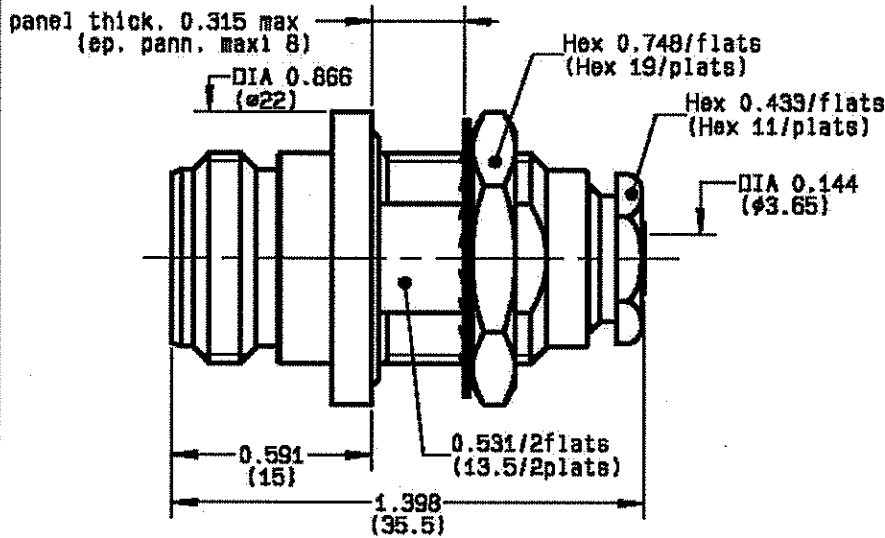


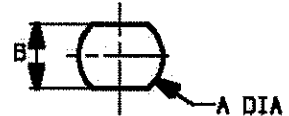
**STRAIGHT BULKHEAD JACK PANEL SEAL  
CLAMP TYPE - CABLE .141**

**R161.323.000**  
SERIES **N**



ORIGINAL

PERCAGE PANNEAU  
MOUNTING HOLE



	MM		INCH	
	maxi	mini	maxi	mini
A	16.1	16	0.634	0.63
B	13.7	13.6	0.539	0.536

NOMINAL IMPEDANCE	<b>50</b>	$\Omega$
FREQUENCY RANGE	<b>0-11</b>	GHz
TEMPERATURE RATING	<b>-55/+105</b>	°C
V.S.W.R	<b>1.15 +</b>	x F(GHz)Maxi
RF INSERTION LOSS	<b>0.048</b>	$\sqrt{F}$ (GHz) dB Maxi
VOLTAGE RATING	<b>335</b>	Veff Maxi
DIELECTRIC WITHSTANDING VOLTAGE	<b>1000</b>	Veff Mini
INSULATION RESISTANCE	<b>5000</b>	M $\Omega$ Mini
HERMETIC SEAL	<b>NA</b>	Atm.cm <sup>3</sup> /s
LEAKAGE (pressurized only)	<b>IP 67</b>	
MECHANICAL DURABILITY	<b>500</b>	Cycles
WEIGHT	<b>36</b>	gr
SPECIFICATION		

CABLES : BELN 1679A  
HC80000-3  
KS 2  
RS 402  
SUCCOFORM 141

OTHERS CHARACTERISTICS

CABLE RETENTION	<b>500</b>	N Mini
CENTER CONTACT RETENTION		
Axial force - mating end	<b>NA</b>	N Mini
Axial force - opposite end	<b>NA</b>	N Mini
Torque	<b>NA</b>	cm.N Mini
RECOMMENDED TORQUES		
Mating	<b>NA</b>	cm.N
Panel nut	<b>500</b>	cm.N
Clamp nut	<b>250</b>	cm.N

CONNECTOR PARTS	MATERIALS	FINISH	(all values are given in micrometers)
BODY	BRASS	BBR 2	
OUTER CONTACT	BRASS	BBR 2	
CENTER CONTACT	BERYLLIUM COPPER	GOLD 0.5 OVER NICKEL 2	
INSULATOR	PTFE	-	
BASKET	SILICONE RUBBER	-	
OTHERS PIECES	BRASS	BBR 2	

ISSUE <b>0825 U01</b>	CREATION DATE <b>15/10/1992</b>	FILE PART-NUMBER
--------------------------	------------------------------------	------------------



BONDIMINI

The information given here is subject to change without notice.  
Design changes may be in order to improve the product.

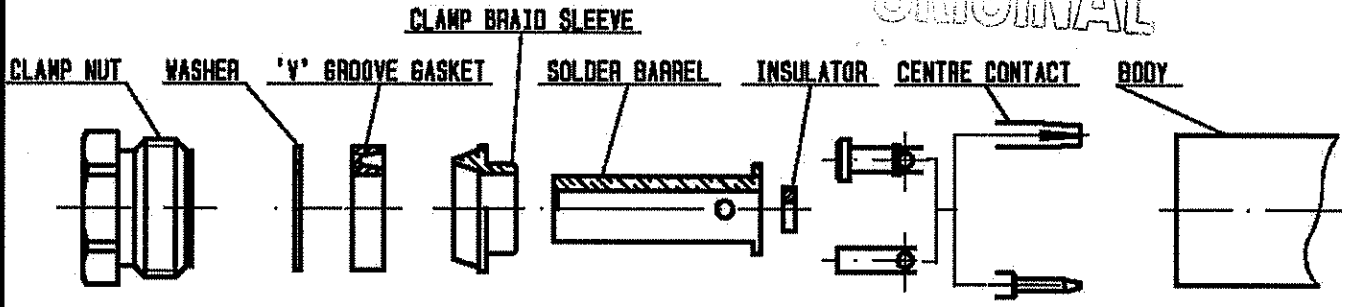
Connect to the future



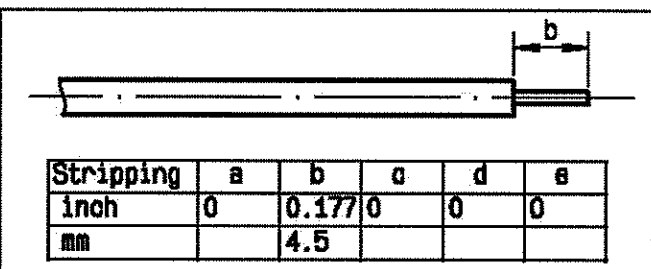
**R161.323.000**

ISSUE 0825U01 SERIES N

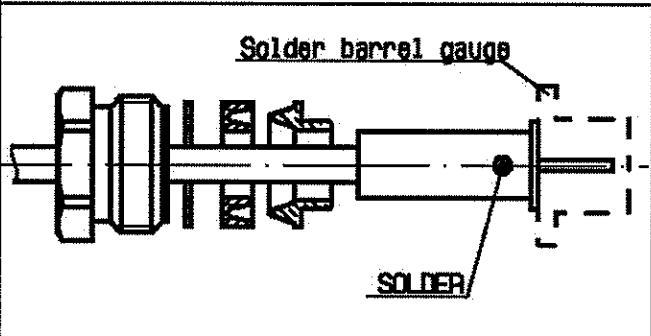
ORIGINAL



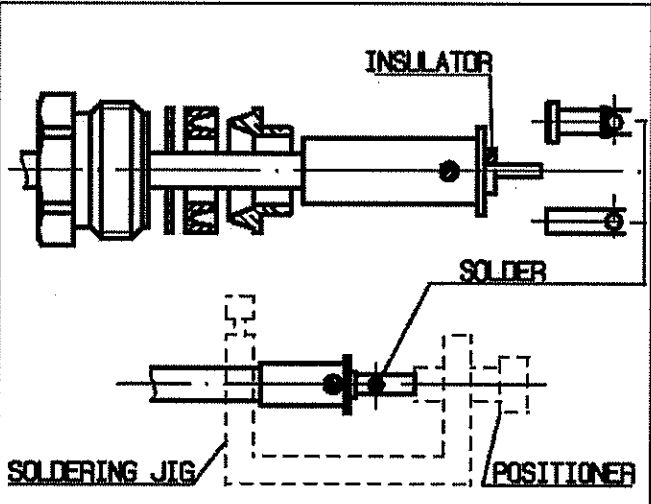
① To take the tool kit : R 282 125 010 .  
Strip the dielectric of the cable .  
Stripping tool cable : R 282 053 .  
Trim cable centre conductor .  
Trimmer : R 282 066 010 .  
Clean the cable .



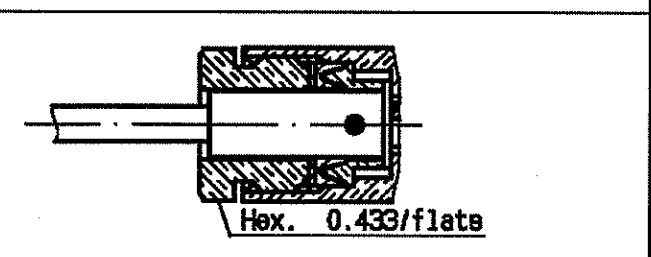
② Slide the clamp nut , the washer , the 'V'groove gasket , the clamp braid sleeve and the solder barrel onto the cable .  
Position solder barrel flush against solder barrel gauge and solder to the cable or align with outer the conductor (b) .  
Solder barrel gauge : R 282 744 320 .



③ Once cooled , remove the solder barrel gauge .  
Cut the dielectric flush to clamp braid sleeve .  
Slide the insulator onto the cable inner conductor .  
Slide the centre contact onto the cable inner conductor against insulator .  
Fit the cable assembly onto the soldering jig R 282 740 030 and the positioner R 282 744 260 .  
Tighten cable and solder the centre contact .



④ Screw sub-assembly into the connector body .  
( recommended coupling torque 22.12 in.lb )  
-  
-



INDIVIDUAL