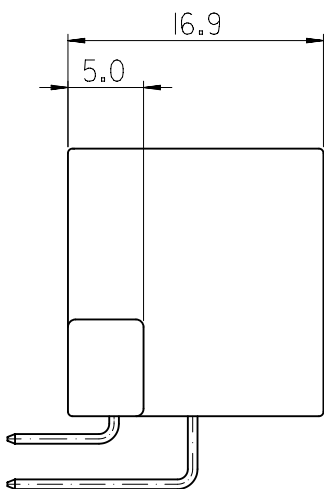
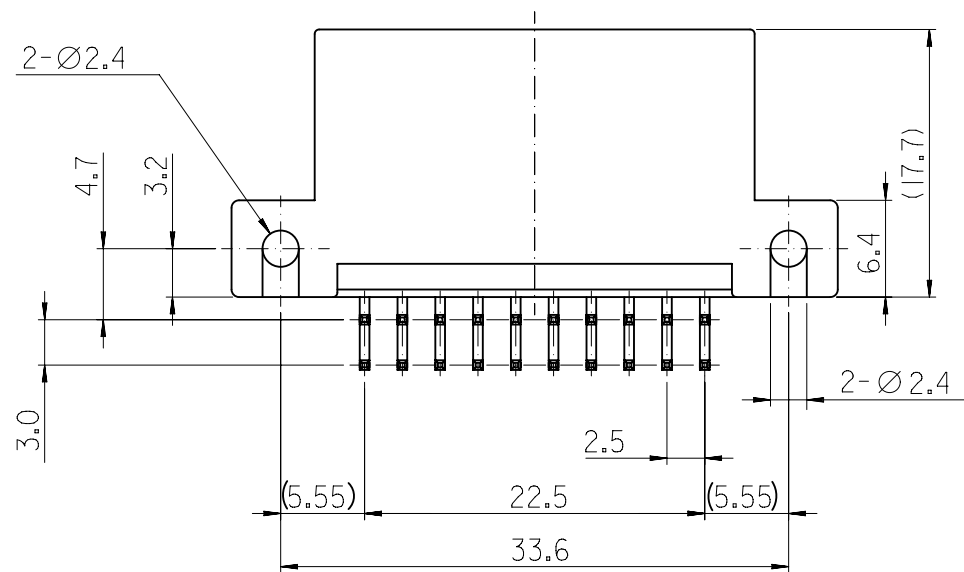


NO.	PART NO.	COLOR	OPTION
1	68151-2025	GRAY	A
2	68151-2026	BLACK	B

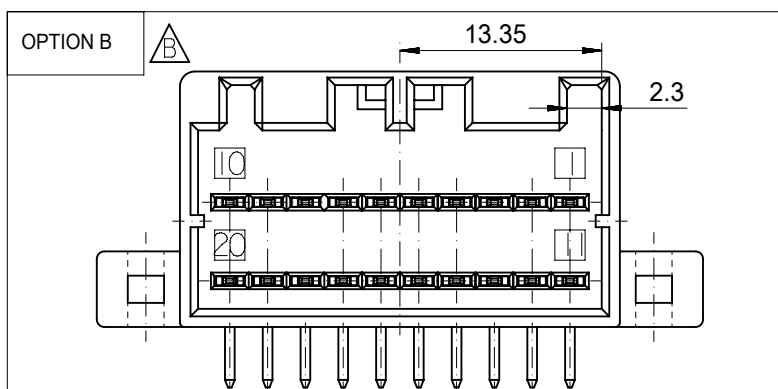
SECT. A-A



NOTES

1. APPLICABLE FEMALE HOUSING : 35564-201*
2. MATERIAL : SEE TABLE

NO.	DESCRIPTION	MATERIAL	REMARK
1	HOUSING	PBT GF-15	UL94B
2	PIN(L)	BRASS	PRE-TIN PLATED
3	PIN(S)	BRASS	PRE-TIN PLATED



QUALITY SYMBOLS ▽ = 0 ▽ = 0 ▽ = 0 ▼ = 0 ▽ = 0 ⊠ = 0 ■ = 0 ▽ = 0	THIS DRAWING CONTAINS INFORMATION THAT IS PROPRIETARY TO MOLEX ELECTRONIC TECHNOLOGIES, LLC AND SHOULD NOT BE USED WITHOUT WRITTEN PERMISSION			
	EC NO: 607112 DRWN: SAKIM CHKD: JHJANG APPR: JHJANG	2018/11/05 2018/11/06 2018/11/06	GENERAL TOLERANCES (UNLESS SPECIFIED) ANGULAR TOL ± 0.5 ° 4 PLACES ± 3 PLACES ± 2 PLACES ± 1 PLACE ± 0 PLACES ± DRAFT WHERE APPLICABLE MUST REMAIN WITHIN DIMENSIONS	DIMENSION UNITS: mm SCALE: 1:1 DRWN BY: BYUNGCHANYOO DATE: 2002/12/04 CHK'D BY: Y.SIK.KIM DATE: 2002/12/05 APPR BY: CHANGWOOLEE DATE: 2002/12/05 DRAWING SIZE: B THIRD ANGLE PROJECTION