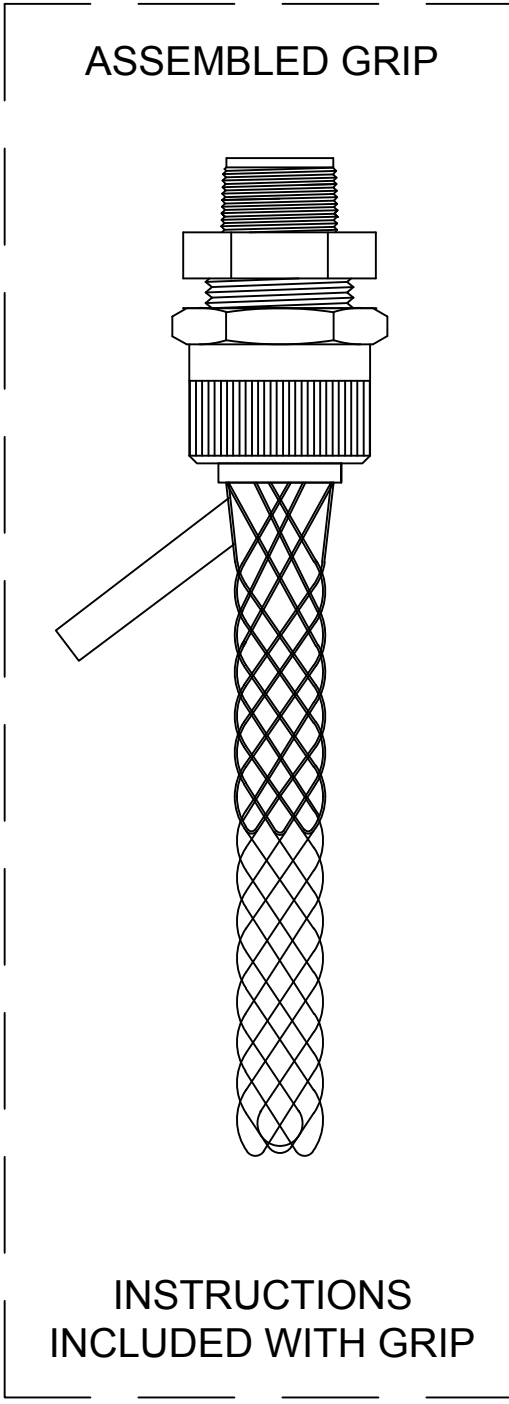
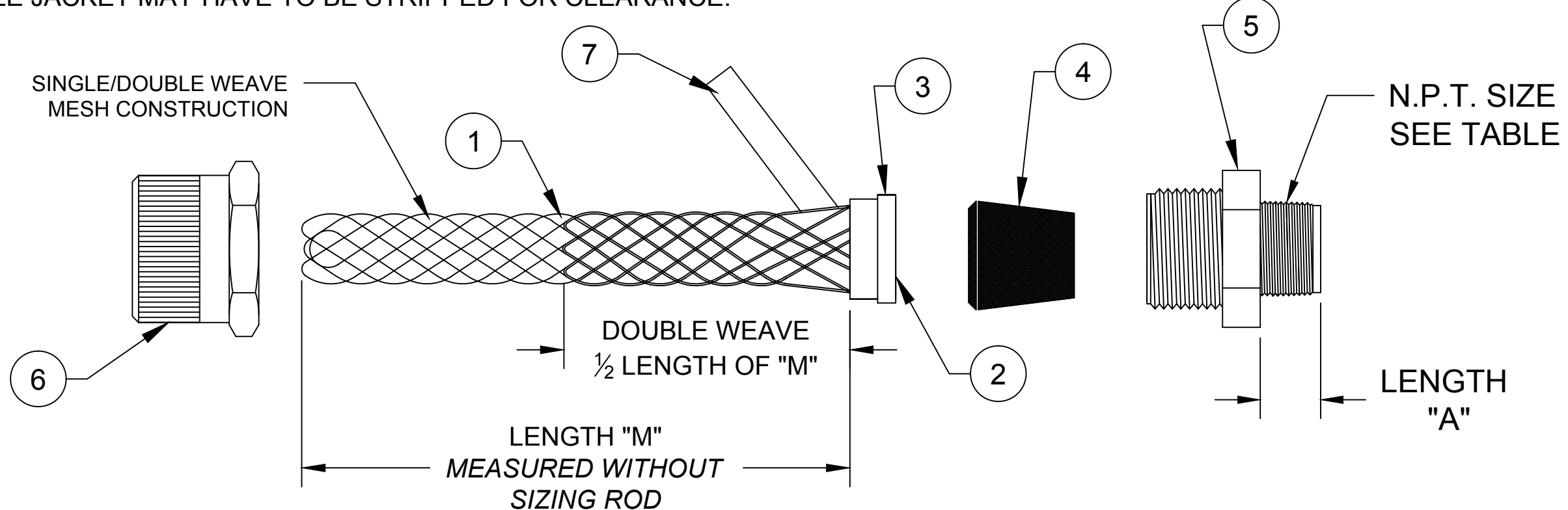


| CATALOG NUMBER | MATERIAL NUMBER | CABLE RANGE               | LENGTH "M"             | N.P.T. FITTING SIZE | FORM SIZE | LENGTH "A" REF. | UL LISTED | CSA APPROVED |
|----------------|-----------------|---------------------------|------------------------|---------------------|-----------|-----------------|-----------|--------------|
| 5522MSS        | 1300970321      | .187-.250 / 4.75-6.35     | 4.50±0.50 / 114.3±12.7 | 1/2                 | 2         | 0.500 / 12.70   | NO        | NO           |
| 5524MSS        | 1300970322      | .250-.312 / 6.35-7.92     | 4.50±0.50 / 114.3±12.7 |                     |           |                 |           |              |
| 5526MSS        | 1300970323      | .312-.375 / 7.92-9.53     | 4.50±0.50 / 114.3±12.7 |                     |           |                 |           |              |
| 5528MSS        | 1300970324      | .375-.437 / 9.53-11.10    | 5.50±0.50 / 139.7±12.7 |                     |           |                 |           |              |
| 5530MSS        | 1300970325      | .437-.500 / 11.10-12.70   | 6.50±0.50 / 165.1±12.7 |                     |           |                 |           |              |
| * 5532MSS      | 1300970326      | .500-.562 / 12.70-14.27   | 6.75±0.50 / 171.5±12.7 |                     |           |                 |           |              |
| * 5534MSS      | 1300970328      | .562-.625 / 14.27-15.88   | 6.75±0.50 / 171.5±12.7 |                     |           |                 |           |              |
| 5620MSS        | 1300970339      | .187-.250 / 4.75-6.35     | 4.25±0.50 / 108.0±12.7 | 3/4                 | 3         | 0.562 / 14.27   | NO        | NO           |
| 5622MSS        | 1300970340      | .250-.375 / 6.35-9.53     | 4.25±0.50 / 108.0±12.7 |                     |           |                 |           |              |
| 5624MSS        | 1300970341      | .375-.437 / 9.53-11.10    | 6.00±0.50 / 152.4±12.7 |                     |           |                 |           |              |
| 5536MSS        | 1300970329      | .437-.562 / 11.10-14.27   | 6.00±0.50 / 152.4±12.7 |                     |           |                 |           |              |
| 5538MSS        | 1300970330      | .500-.625 / 12.70-15.88   | 6.75±0.50 / 171.5±12.7 |                     |           |                 |           |              |
| 5540MSS        | 1300970331      | .562-.687 / 14.27-17.45   | 9.00±1.00 / 228.6±25.4 |                     |           |                 |           |              |
| * 5542MSS      | 1300970332      | .625-.750 / 15.88-19.05   | 9.00±1.00 / 228.6±25.4 |                     |           |                 |           |              |
| 5544MSS        | 1300970333      | .687-.812 / 17.45-20.62   | 9.50±1.00 / 241.3±25.4 | 1                   | 4         | 0.687 / 17.45   | NO        | NO           |
| 5546MSS        | 1300970630      | .437-.562 / 11.10-14.27   | 6.00±0.50 / 152.4±12.7 |                     |           |                 |           |              |
| 5548MSS        | 1300970334      | .500-.625 / 12.70-15.88   | 6.75±0.50 / 171.5±12.7 |                     |           |                 |           |              |
| 5550MSS        | 1300970631      | .562-.687 / 14.27-17.45   | 9.00±1.00 / 228.6±25.4 |                     |           |                 |           |              |
| 5552MSS        | 1300970335      | .625-.750 / 15.88-19.05   | 9.00±1.00 / 228.6±25.4 |                     |           |                 |           |              |
| 5554MSS        | 1300970336      | .687-.812 / 17.45-20.62   | 9.50±1.00 / 241.3±25.4 |                     |           |                 |           |              |
| 5556MSS        | 1300970337      | .750-.875 / 19.05-22.23   | 9.50±1.00 / 241.3±25.4 |                     |           |                 |           |              |
| 5558MSS        | 1300970632      | .812-.937 / 20.62-23.80   | 8.75±1.00 / 222.3±25.4 |                     |           |                 |           |              |
| 5560MSS        | 1300970338      | .875-1.000 / 22.23-25.40  | 8.75±1.00 / 222.3±25.4 |                     |           |                 |           |              |
| 5562MSS        | 1300970333      | 1.000-1.100 / 25.40-27.94 | 8.75±1.00 / 222.3±25.4 |                     |           |                 |           |              |



\* CABLE JACKET MAY HAVE TO BE STRIPPED FOR CLEARANCE.



| ITEM | DESCRIPTION     | MATERIAL        |
|------|-----------------|-----------------|
| 1    | WIRE MESH       | STAINLESS STEEL |
| 2    | INNER RING      | STAINLESS STEEL |
| 3    | OUTER RING      | STAINLESS STEEL |
| 4    | GROMMET         | NITRILE PVC     |
| 5    | THREADED BODY   | STAINLESS STEEL |
| 6    | COMPRESSION NUT | STAINLESS STEEL |
| 7    | LABEL           | MYLAR           |

RELEASE SALES DRAWING  
 EC NO.: IFC2014-2088  
 DRWN: HRUIZ01 2014/09/29  
 CH'KD: HKNEELAN 2014/09/29  
 APPR: JFMURPHY 2014/11/18

QUALITY SYMBOL  
 ▽=0  
 ▽C=0

DESCRIPTION  
 A

GENERAL TOLERANCES (UNLESS SPECIFIED)

|          | mm   | INCH  |
|----------|------|-------|
| 4 PLACES | ±--- | ±---  |
| 3 PLACES | ±--- | ±.005 |
| 2 PLACES | ±.13 | ±.010 |
| 1 PLACE  | ±.25 | ±.020 |

ANGULAR ±1/2°

DRAFT WHERE APPLICABLE MUST REMAIN WITHIN DIMENSIONS

DIMENSION STYLE INCH/MM

DRAWN BY DATE  
 HRUIZ01 2014/09/29

CHECKED BY DATE  
 HKNEELAN 2014/09/29

APPROVED BY DATE  
 JFMURPHY 2014/11/18

MATERIAL NO. SEE TABLE

SIZE C

SCALE NTS

DESIGN UNITS INCH

THIRD ANGLE PROJECTION

TITLE  
**STRAIN RELIEF  
 MAX-LOC METALLIC  
 STRAIGHT MALE - ALL SST**

**MOLEX INCORPORATED**

DOCUMENT NO. SD-130097-102

SHEET NO. 1 OF 1

THIS DRAWING CONTAINS INFORMATION THAT IS PROPRIETARY TO MOLEX INCORPORATED AND SHOULD NOT BE USED WITHOUT WRITTEN PERMISSION