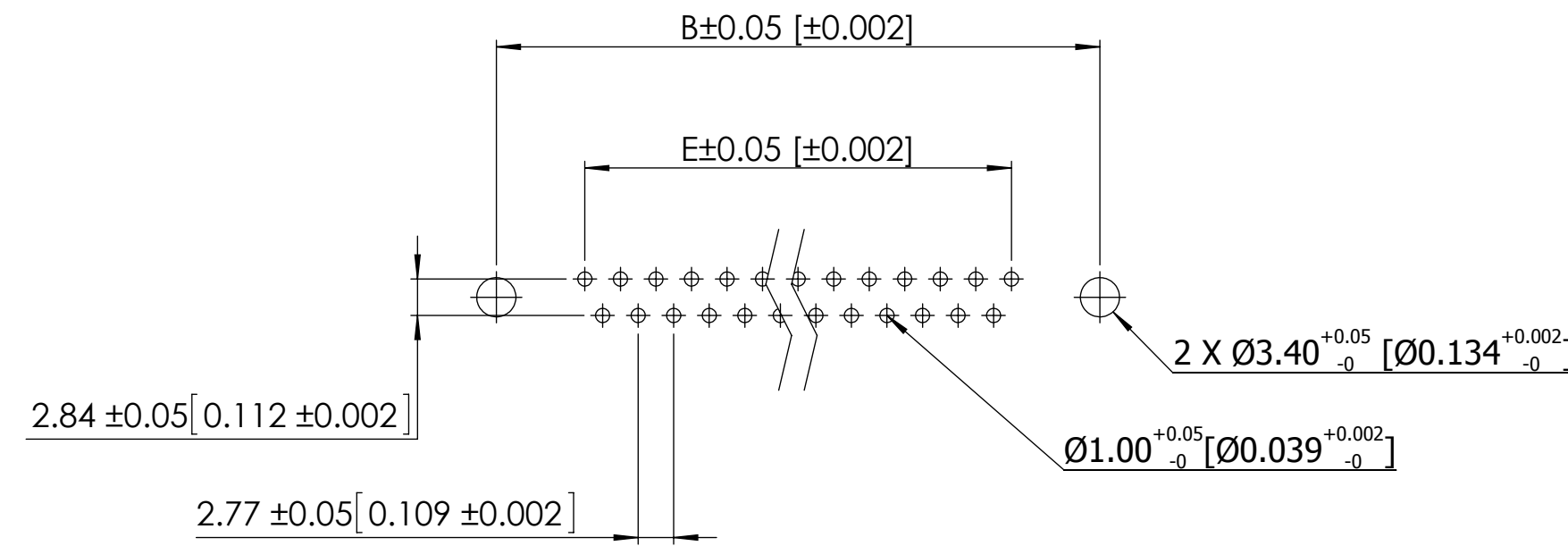
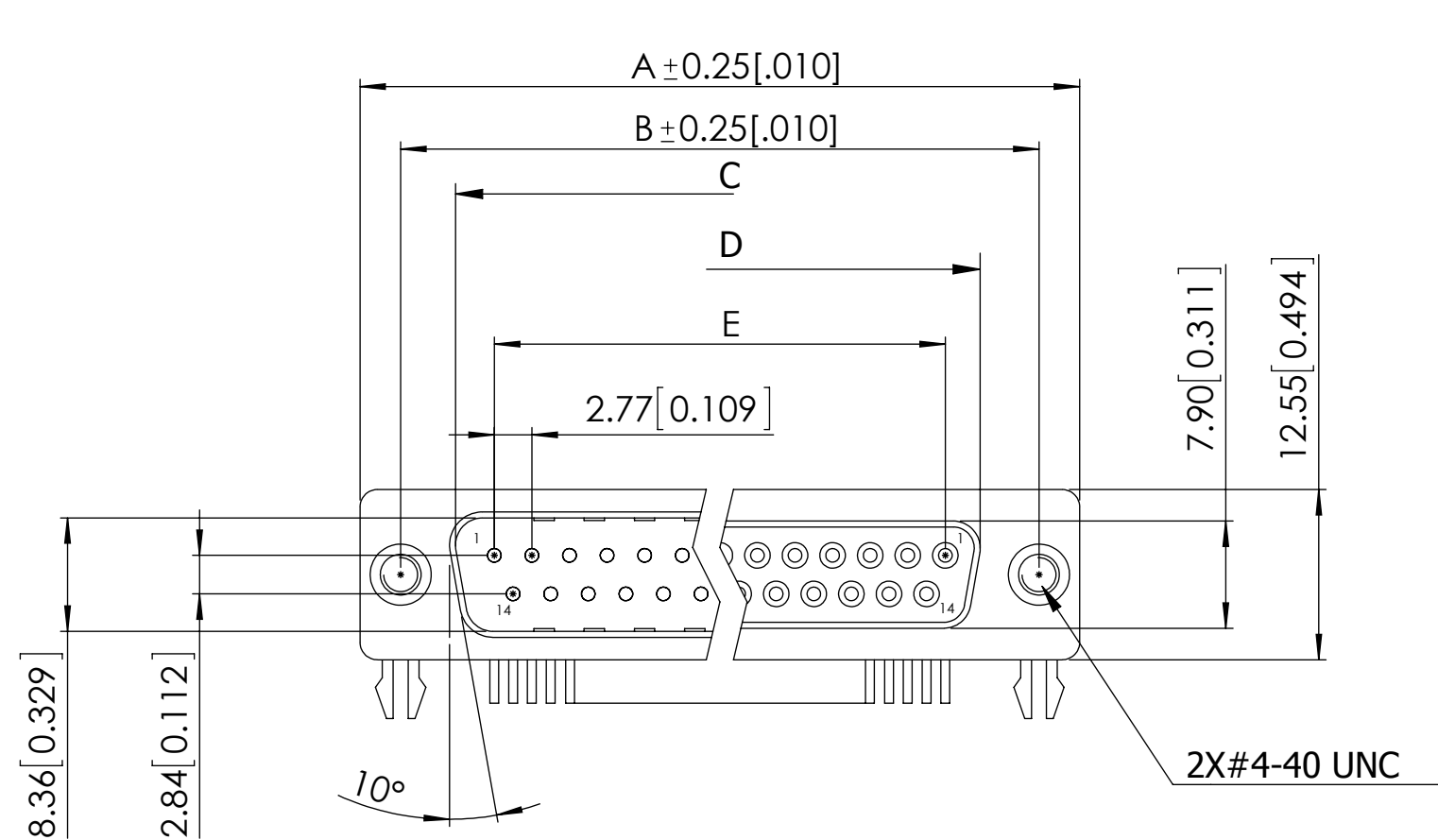


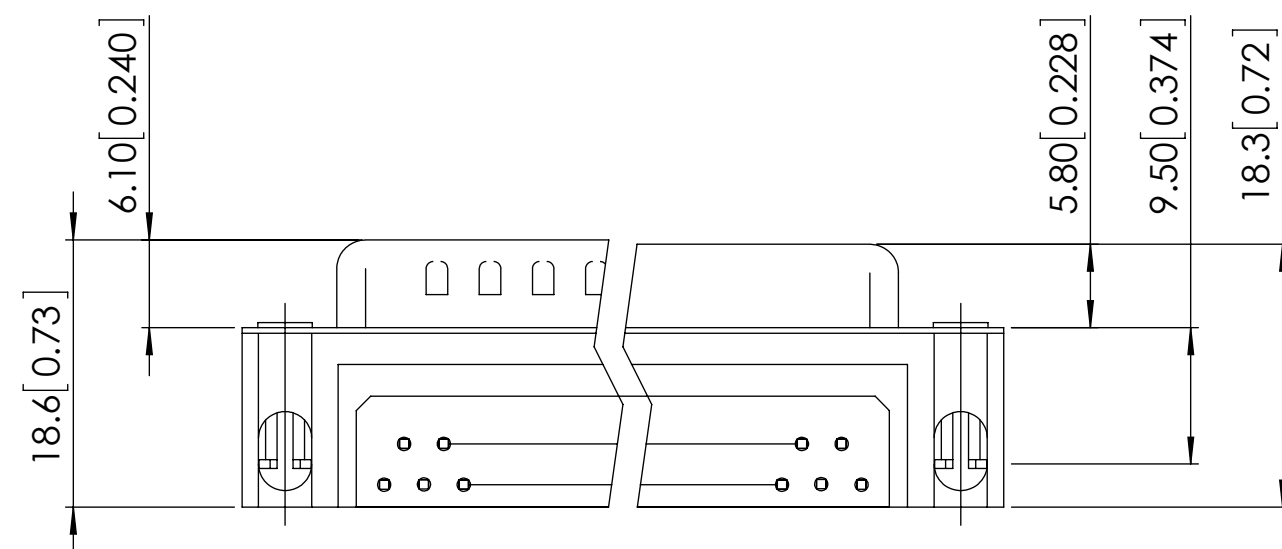
DIMENSIONS

POSITIONS	A		B		C		D		E	
	MM	INCH	MM	INCH	MM	INCH	MM	INCH	MM	INCH
9	30.81	1.213	24.99	0.984	16.92	0.666	16.33	0.643	11.08	0.436
15	39.20	1.543	33.30	1.311	25.25	0.994	24.70	0.972	19.39	0.763
25	53.05	2.088	47.04	1.852	38.96	1.534	38.40	1.512	33.24	1.309
37	69.40	2.732	63.50	2.500	55.42	2.182	54.80	2.158	49.86	1.963

REVISIONS				
REV.	ECO. NO	DESCRIPTION	DATE	BY
C	2614	REMOVED 'B','U','C' & 'N' PLATING, ADDED PLATING RESTRICTION ON PN CODING ITEM j	06/11/2012	LH / KV
D	2772	UPDATE 1ST RAB DISTANCE DIM FROM 7.2 TO 8.1, 9.4 TO 10.3, 13.84 TO 15.0 & UPDATE PCB LAYOUT BOARD-LOCK HOLE 3.40mm (WAS 3.05mm)	06/04/2013	LH

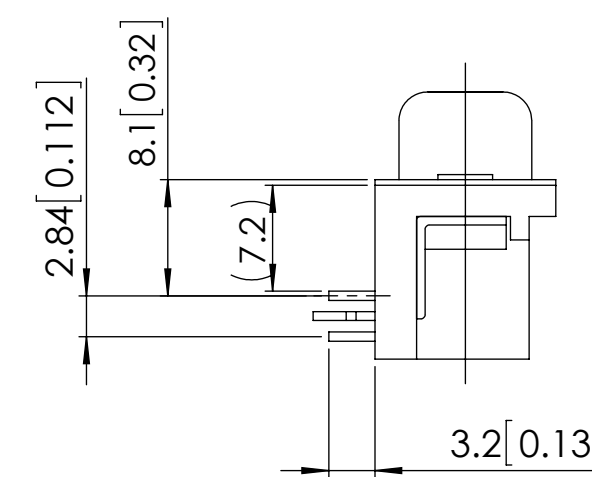


RECOMMENDED PCB LAYOUT



7.2mm [0.28] FOOTPRINT

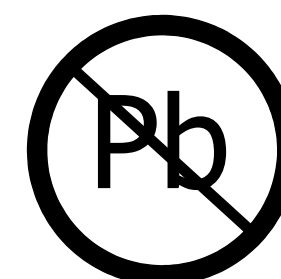
(PN EXAMPLE: SDS107-PRW2-M09-SN13-11)



NOTES:

- MATERIAL
- INSULATOR : GLASS-FILLED THERMOPLASTIC PBT, UL94V-0
- CONTACT: BRASS
- SHELL : SPCC, .000100" TIN OVER .000050" MIN. COPPER (STANDARD, SEE PAGE 4)
- CLINCH NUT : BRASS, NICKEL PLATED
- BOARDLOCK : BRASS, TIN PLATED
- SCREWLOCK : STEEL, NICKEL PLATED
- OPERATING TEMPERATURE : -55 °C TO +105 °C

- ELECTRICAL
- CONTACT RESISTANCE : 20 MILLIOHMS MAX AT 1 AMP DC
- INSULATION RESISTANCE : 1000 MAGOHMS AT 500 VDC
- DIELECTRIC WITHSTANDING VOLTAGE : 1000 VAC/RMS 60Hz FOR 1 MINUTE
- CURRENT RATING : 3 AMPS
- VOLATGE RATING : 250 VAC/RMS 60Hz

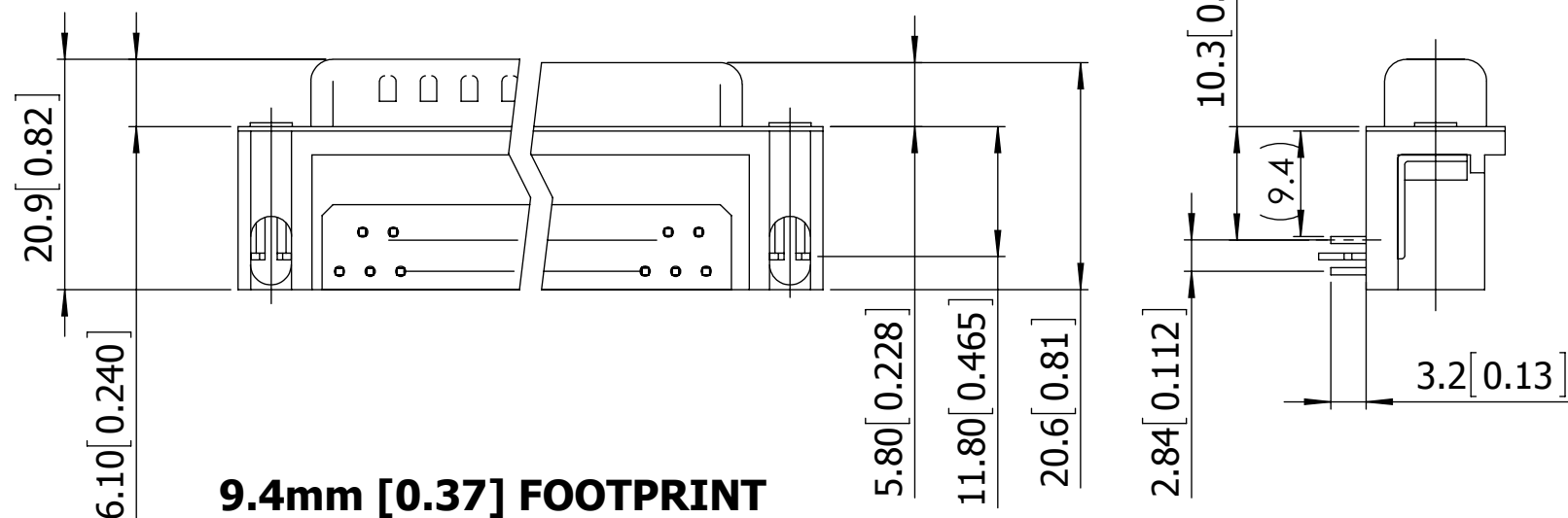
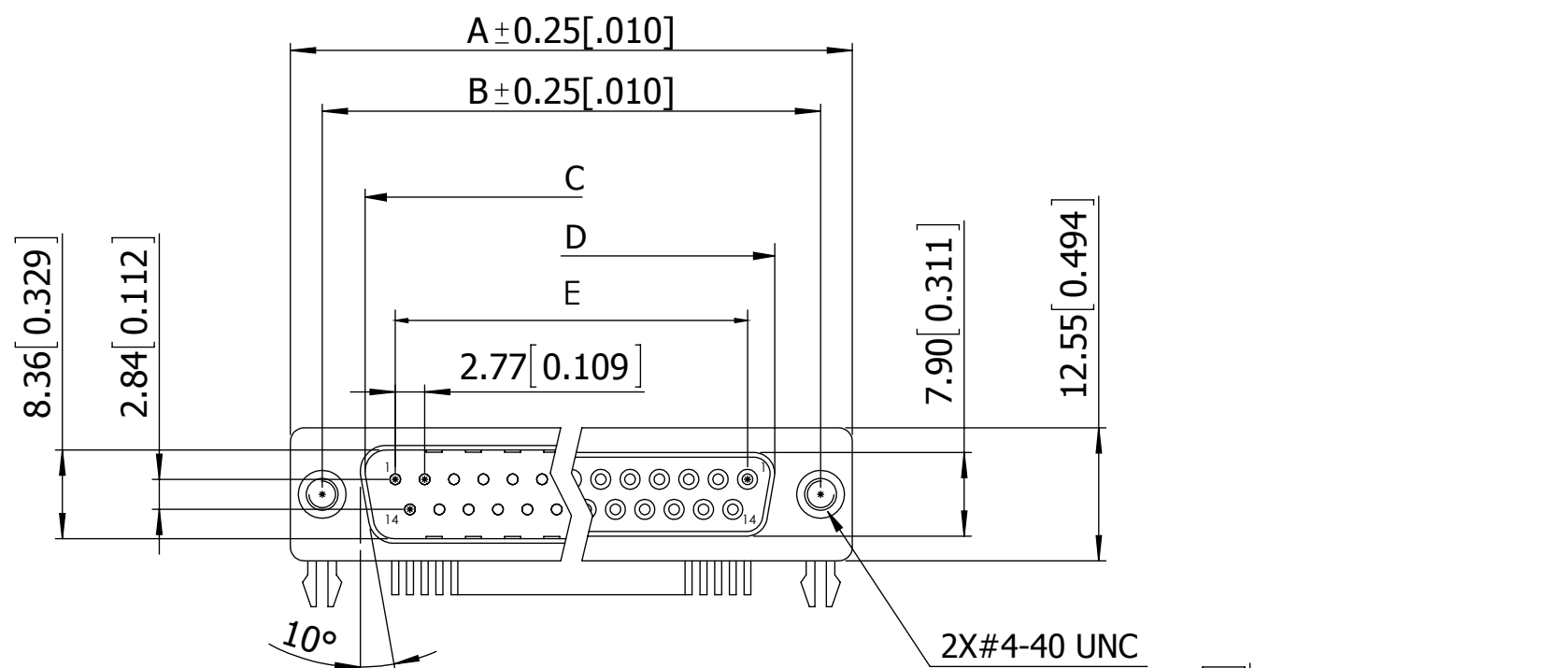


RoHS COMPLIANT

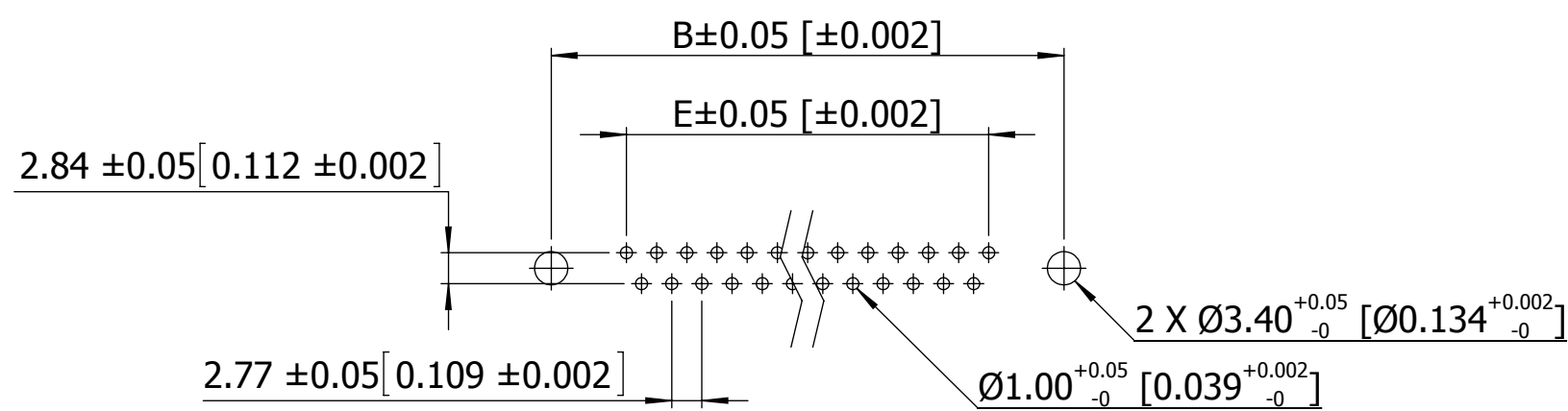
UNLESS OTHERWISE SPECIFIED: DIMENSIONS ARE IN MM [INCHES]	DRAWN	DATE	NAME	
		07/01/2011	LH	
TOLERANCES: ANGULAR: ± 3° DECIMALS X.= ± 0.38 [0.015] X.= ± 0.25 [0.010] .XX= ± 0.13 [0.005]	THE INFORMATION HEREIN CONTAINS PROPRIETARY INFORMATION OF SULLINS ELECTRONICS AND IS NOT TO BE REPRODUCED, USED OR DISCLOSED TO OTHERS FOR ANY PURPOSE EXCEPT AS SPECIFICALLY AUTHORIZED IN WRITING BY AN OFFICER OF SULLINS ELECTRONICS.			TITLE
				107 SERIES D-SUB RIGHT ANGLE TYPE
PART NUMBER				SDS107-PR - - -SN - -1
SIZE	CAGE CODE	DWG. NO.	REV	
C	54453	11773	D	
SCALE: 1:8			SHEET 1 OF 4	

DIMENSIONS

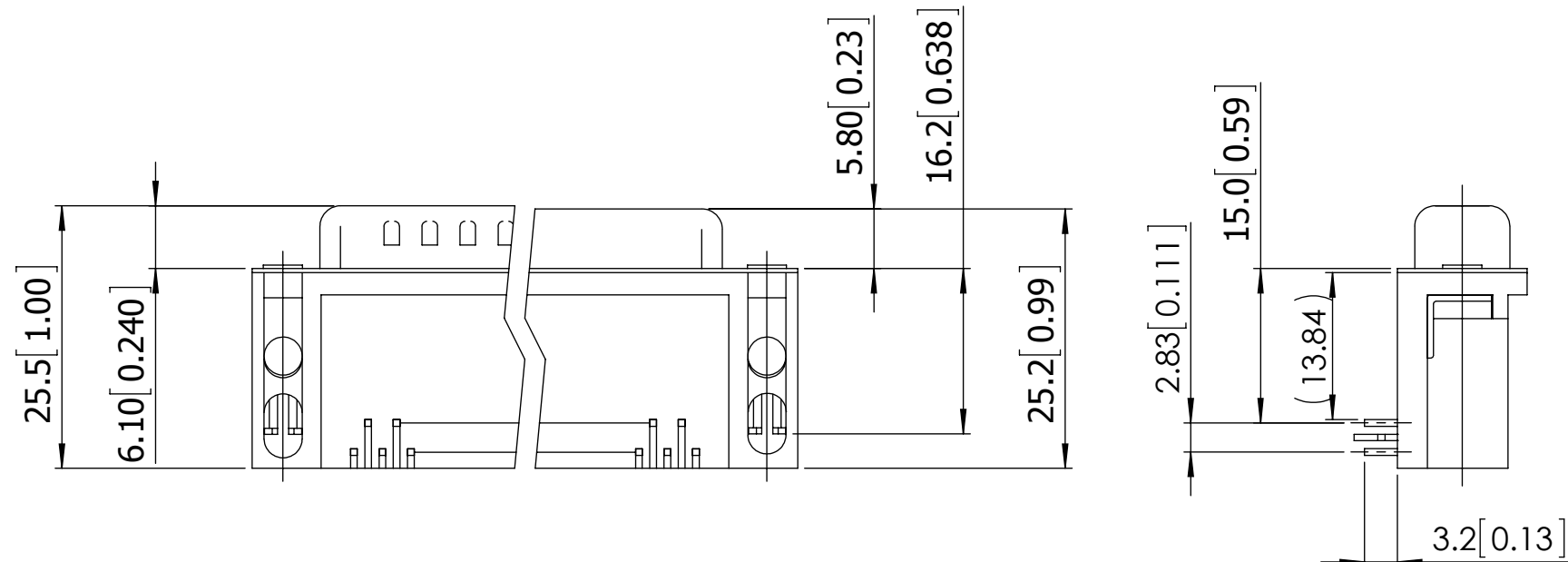
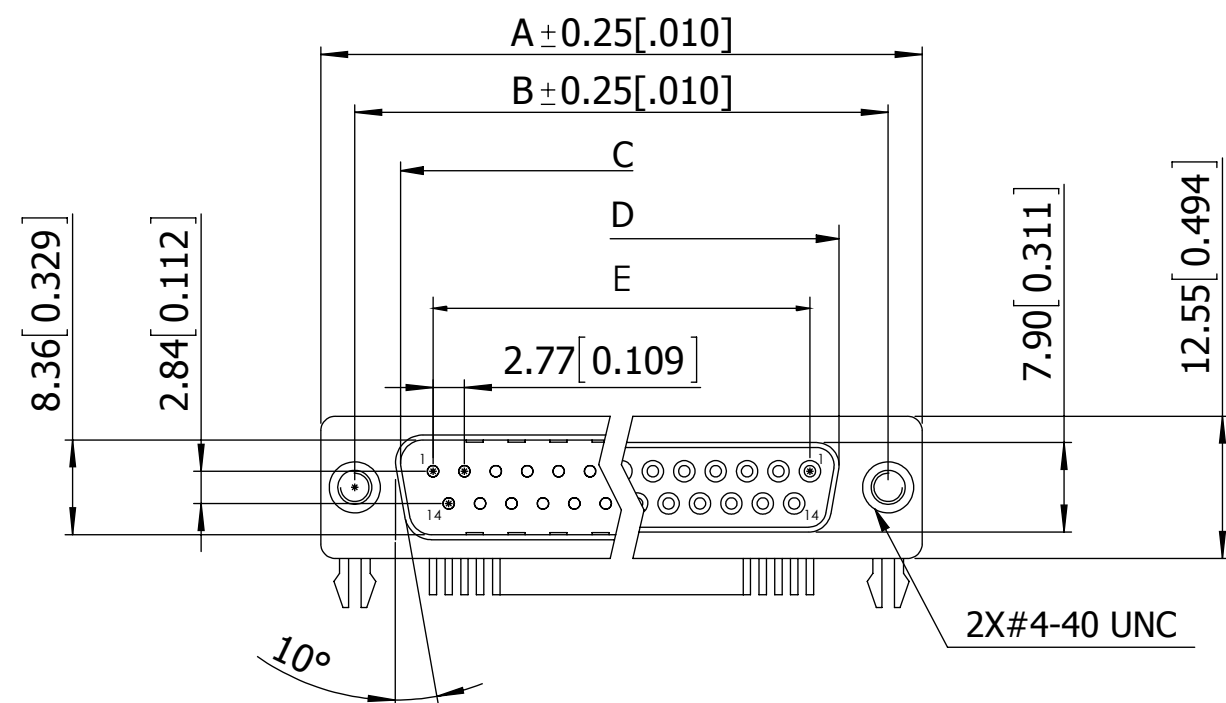
POSITIONS	A		B		C		D		E	
	MM	INCH	MM	INCH	MM	INCH	MM	INCH	MM	INCH
9	30.81	1.213	24.99	0.984	16.92	0.666	16.33	0.643	11.08	0.436
15	39.20	1.543	33.30	1.311	25.25	0.994	24.70	0.972	19.39	0.763
25	53.05	2.088	47.04	1.852	38.96	1.534	38.40	1.512	33.24	1.309
37	69.40	2.732	63.50	2.500	55.42	2.182	54.80	2.158	49.86	1.963



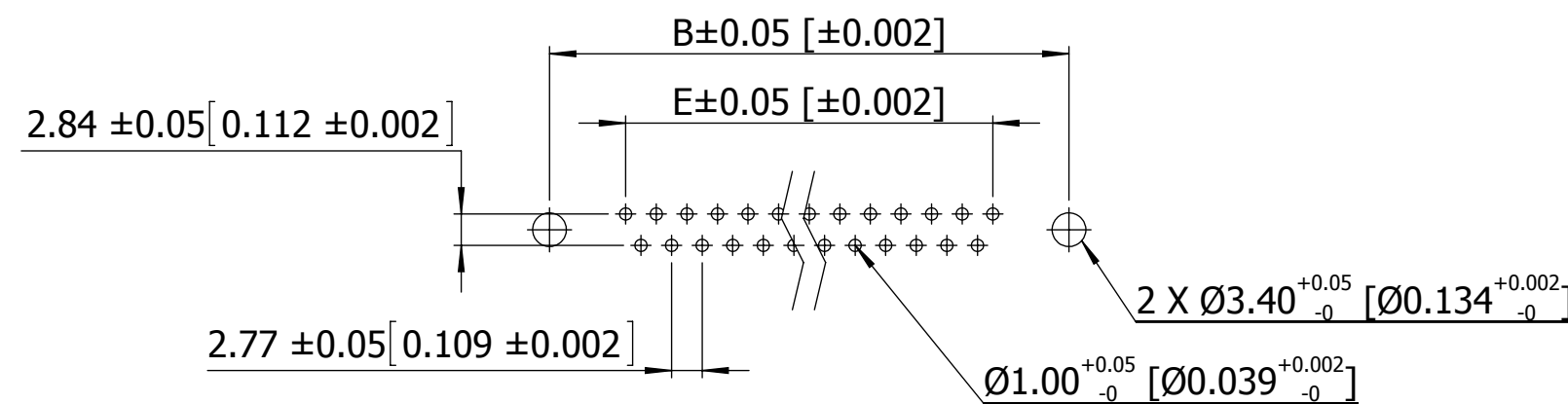
9.4mm [0.37] FOOTPRINT
(PN EXAMPLE: SDS107-PRP2-M09-SN13-12)



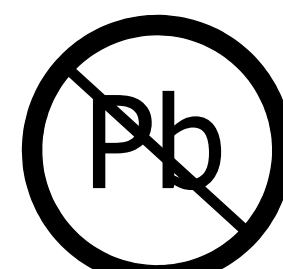
RECOMMENDED PCB LAYOUT



13.84mm [0.545] FOOTPRINT
(PN EXAMPLE: SDS107-PRP2-M09-SN13-13)



RECOMMENDED PCB LAYOUT



RoHS COMPLIANT

UNLESS OTHERWISE SPECIFIED:
DIMENSIONS ARE IN MM [INCHES]

TOLERANCES:

ANGULAR: ± 3°

DECIMALS

X.= ± 0.38 [0.015]

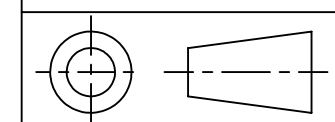
X.= ± 0.25 [0.010]

.XX= ± 0.13 [0.005]

DRAWN DATE NAME

07/01/2011 LH

THE INFORMATION HEREIN CONTAINS PROPRIETARY INFORMATION OF SULLINS ELECTRONICS AND IS NOT TO BE REPRODUCED, USED OR DISCLOSED TO OTHERS FOR ANY PURPOSE EXCEPT AS SPECIFICALLY AUTHORIZED IN WRITING BY AN OFFICER OF SULLINS ELECTRONICS.



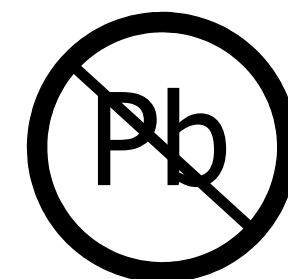
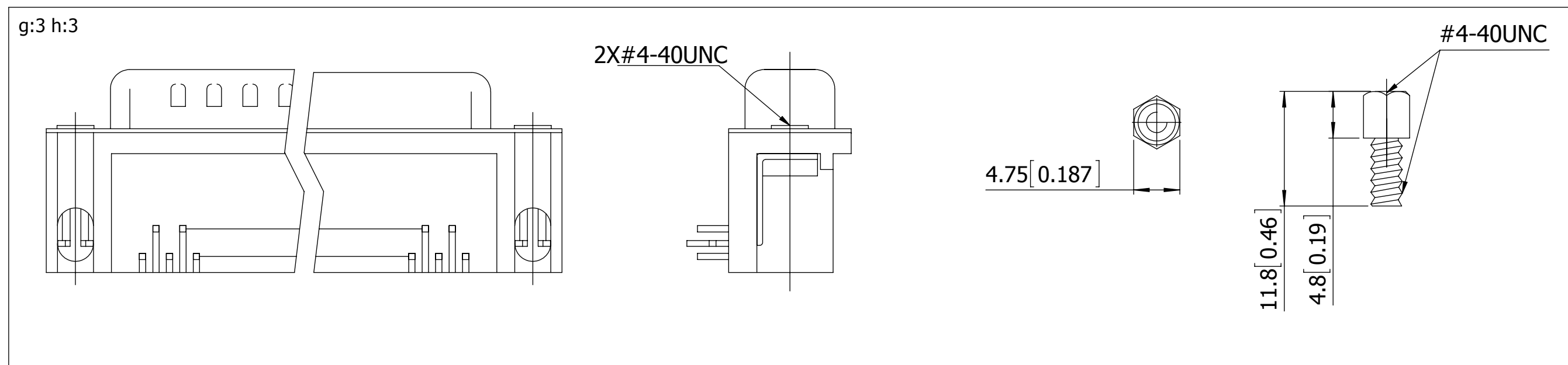
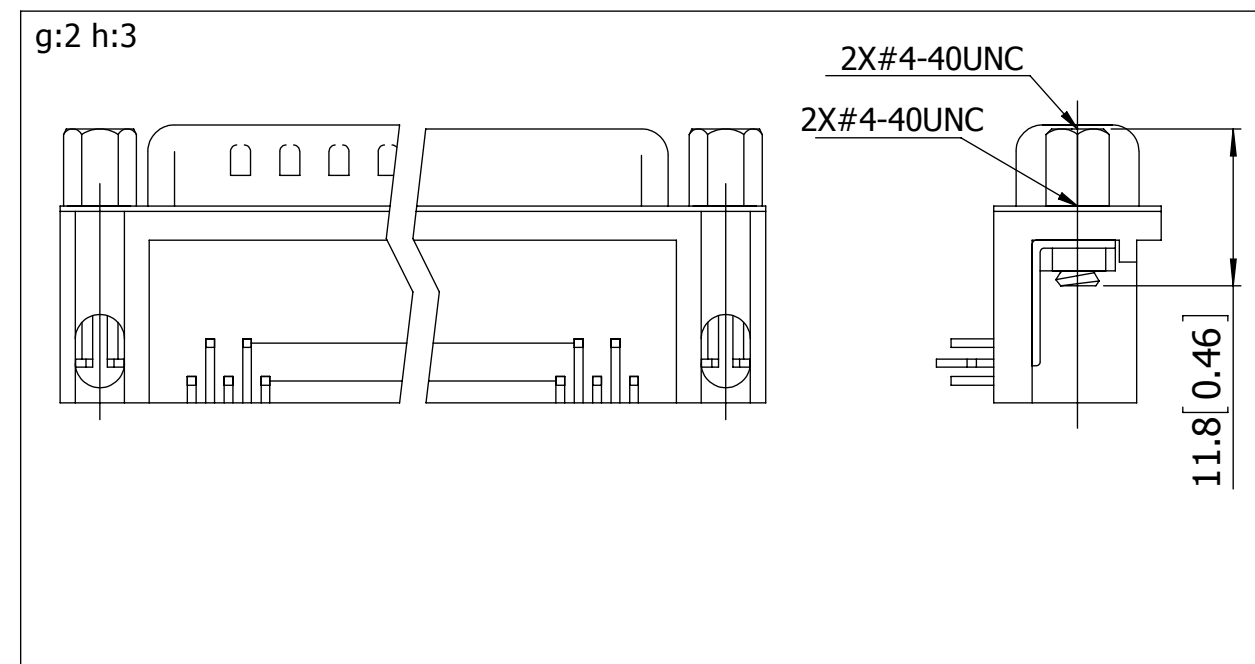
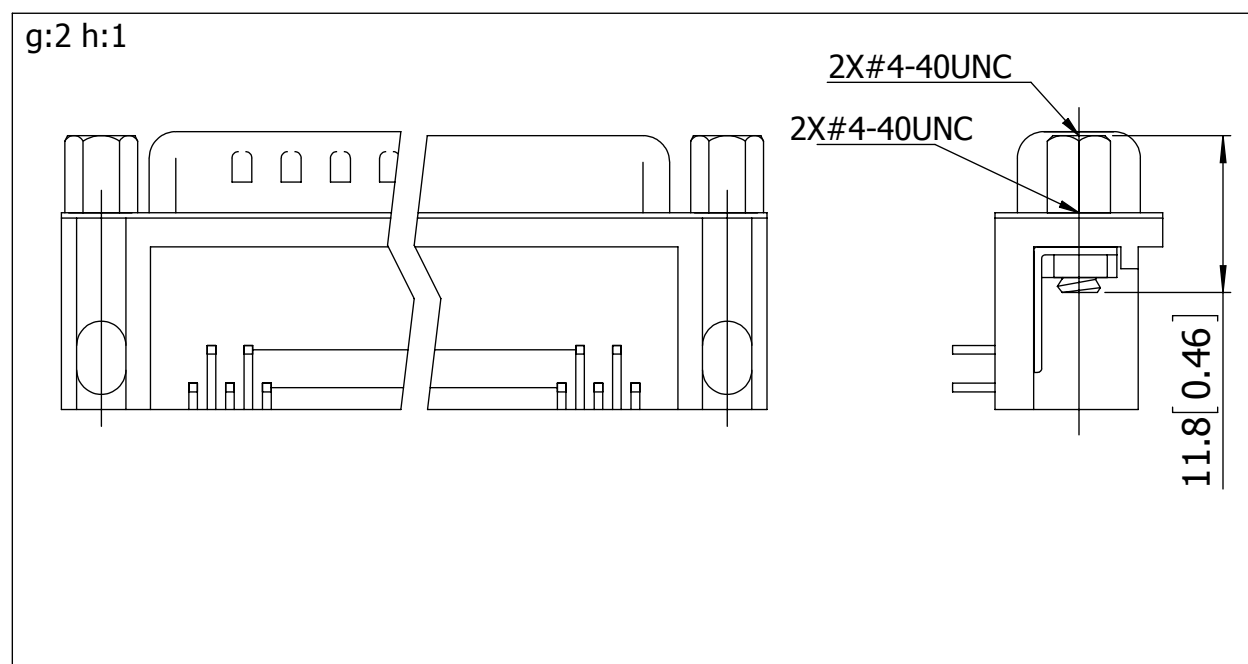
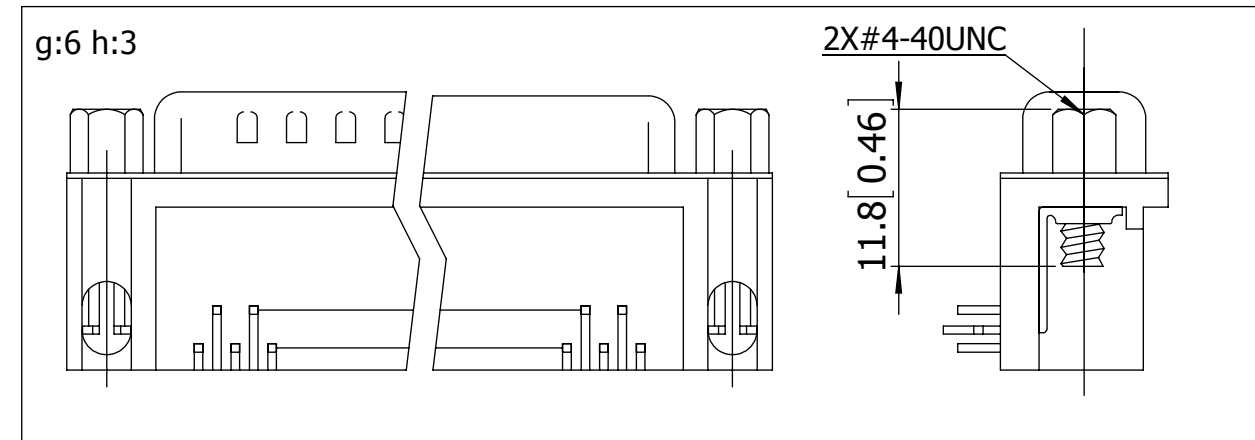
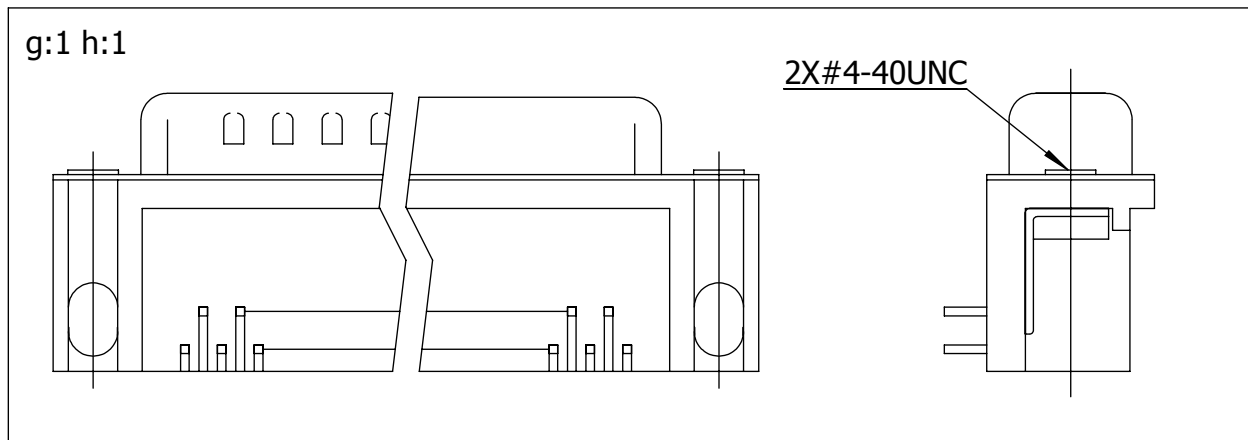
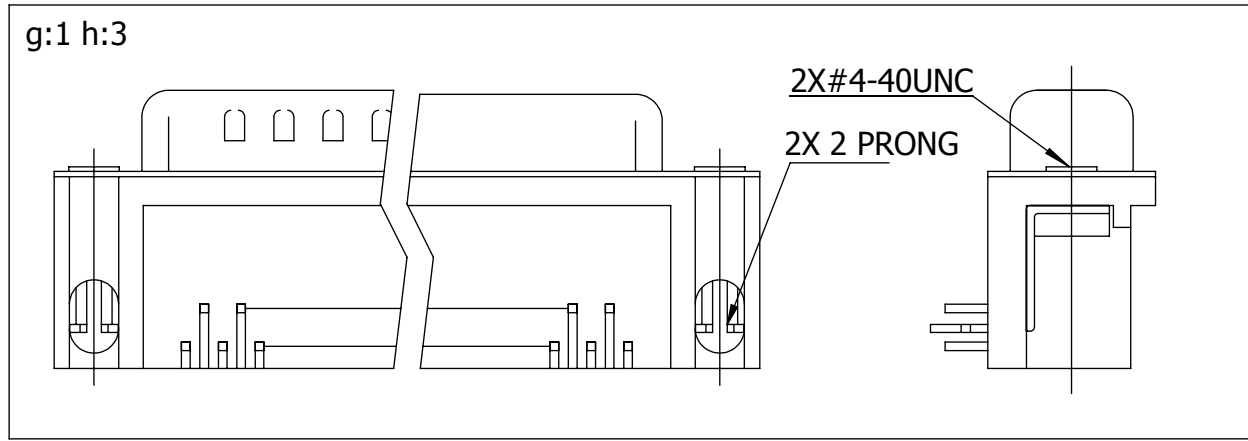
TITLE 107 SERIES D-SUB RIGHT ANGLE TYPE

PART NUMBER SDS107-PR _ _ -SN _ _ -1 _

SIZE CAGE CODE DWG. NO. 11773 REV D

SCALE: 1:8 SHEET 2 OF 4

g. FLANGE MOUNTING OPTION
h. RIVET OPTIONS



RoHS COMPLIANT

UNLESS OTHERWISE SPECIFIED:
 DIMENSIONS ARE IN MM [INCHES]

TOLERANCES:

ANGULAR: $\pm 3^\circ$

DECIMALS

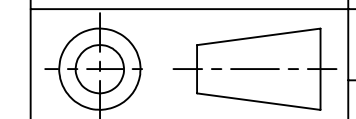
X.= ± 0.38 [015]

X.= ± 0.25 [010]

.XX= ± 0.13 [005]

DRAWN	DATE	NAME
	07/01/2011	LH

THE INFORMATION HEREIN CONTAINS PROPRIETARY INFORMATION OF SULLINS ELECTRONICS AND IS NOT TO BE REPRODUCED, USED OR DISCLOSED TO OTHERS FOR ANY PURPOSE EXCEPT AS SPECIFICALLY AUTHORIZED IN WRITING BY AN OFFICER OF SULLINS ELECTRONICS.



TITLE 107 SERIES D-SUB RIGHT ANGLE TYPE

PART NUMBER SDS107-PR _ _ _ _ -SN _ _ -1

SIZE	CAGE CODE	DWG. NO.	REV
C	54453	11773	D

SCALE: 1:8 SHEET 3 OF 4

SDS107-PR - **-SN** **-1**

a b c d e f g h i j

a. CONTACT PLATING

(ALL PLATINGS HAVE .000050" NICKEL UNDERPLATE)
W = GOLD FLASH ON CONTACT SURFACE,
.000100" PURE TIN ON TERMINATION.
P = GOLD FLASH OVERALL.

b. SHELL PLATING

1 = NICKEL
2 = TIN (STANDARD)

c. CONTACT TYPE

M = MALE
F = FEMALE

d. NO. OF CONTACTS

09 = 09 POSITIONS
15 = 15 POSITIONS
25 = 25 POSITIONS
37 = 37 POSITIONS

e. PIN TYPE

S = STAMPED PIN

f. FERRITE

N = WITHOUT FERRITE

g. FLANGE MOUNTING OPTION

0 = Ø3.05mm[Ø0.120] CLEARANCE HOLE (COMBINE WITH ITEM h:0 OR h:3 ONLY)
1 = #4-40 FEMALE THREAD (COMBINE WITH h:1, h:2 OR h:3)
2 = #4-40 UNC (4.8 X 11.8 mm [0.19 x 0.46]) FEMALE SCREWLOCK INSTALLED (COMBINE WITH h:1, h:2 OR h:3)
3 = #4-40 UNC (4.8 X 11.8 mm [0.19 x 0.46]) FEMALE SCREWLOCK BULK-PACKED (COMBINE WITH h:1, h:2 OR h:3)
**6 = #4-40 UNC (4.8 X 11.8 mm [0.19 x 0.46]) FEMALE SCREWLOCK INSTALLED (COMBINE WITH h:3 ONLY)
** REMOVE SCREWLOCK TO DISASSEMBLE BOARDLOCK BRACKET

h. RIVET OPTIONS

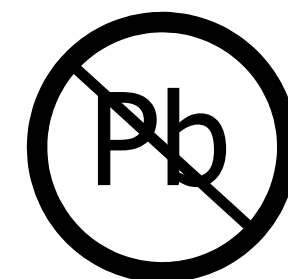
0 = NONE
1 = GROUNDING STRAP ON PANEL
2 = GROUNDING STRAP #4-40 THREADED ON PCB & PANEL
3 = GROUNDING HOOK BOARDLOCK+2 PRONG

i. INSULATOR COLOR

1 = BLACK (STANDARD)

j. FOOTPRINT

1 = 7.2mm [0.28] FOOTPRINT (AVAILABLE WITH 'W' OR 'P' PLATING)
2 = 9.4mm [0.37] FOOTPRINT (AVAILABLE WITH 'P' PLATING ONLY)
3 = 13.84mm [0.545] FOOTPRINT (AVAILABLE WITH 'P' PLATING ONLY)



RoHS COMPLIANT

UNLESS OTHERWISE SPECIFIED: DIMENSIONS ARE IN MM [INCHES]		DRAWN	DATE	NAME	
TOLERANCES: ANGULAR: ± 3° DECIMALS X.= ± 0.38 [.015] X.= ± 0.25 [.010] .XX= ± 0.13 [.005]			07/01/2011	LH	
THE INFORMATION HEREIN CONTAINS PROPRIETARY INFORMATION OF SULLINS ELECTRONICS AND IS NOT TO BE REPRODUCED, USED OR DISCLOSED TO OTHERS FOR ANY PURPOSE EXCEPT AS SPECIFICALLY AUTHORIZED IN WRITING BY AN OFFICER OF SULLINS ELECTRONICS.					TITLE
					107 SERIES D-SUB RIGHT ANGLE TYPE
					PART NUMBER
					SDS107-PR - - -SN -1
SIZE	CAGE CODE	DWG. NO.	REV		
C	54453	11773	D		
SCALE: 1:8			SHEET 4 OF 4		