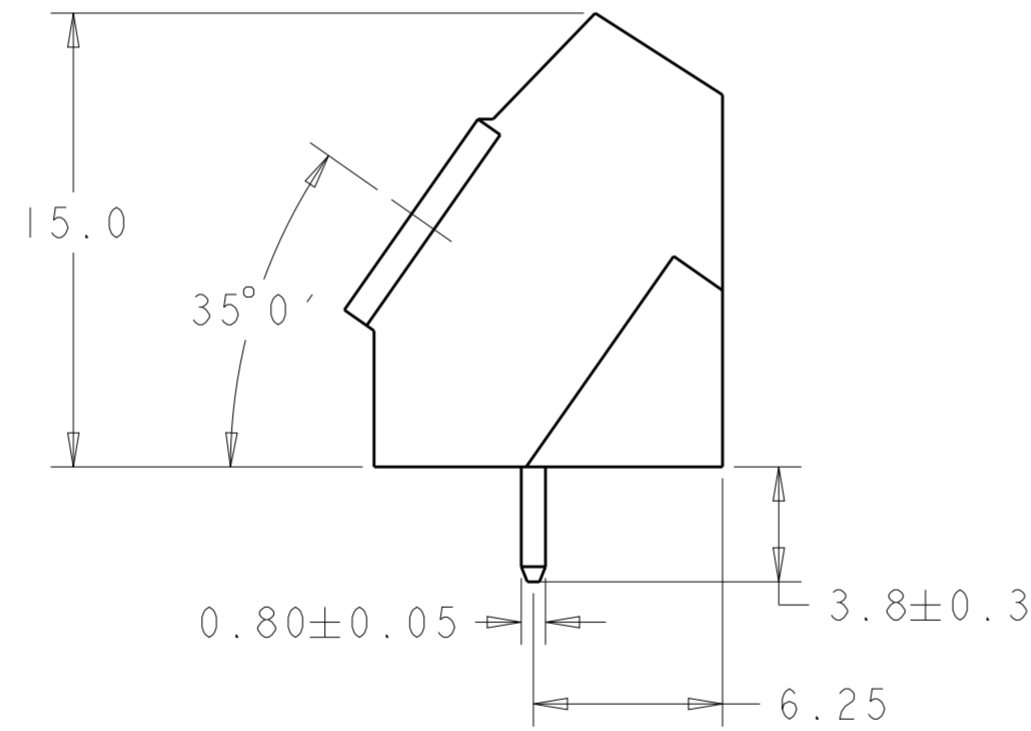
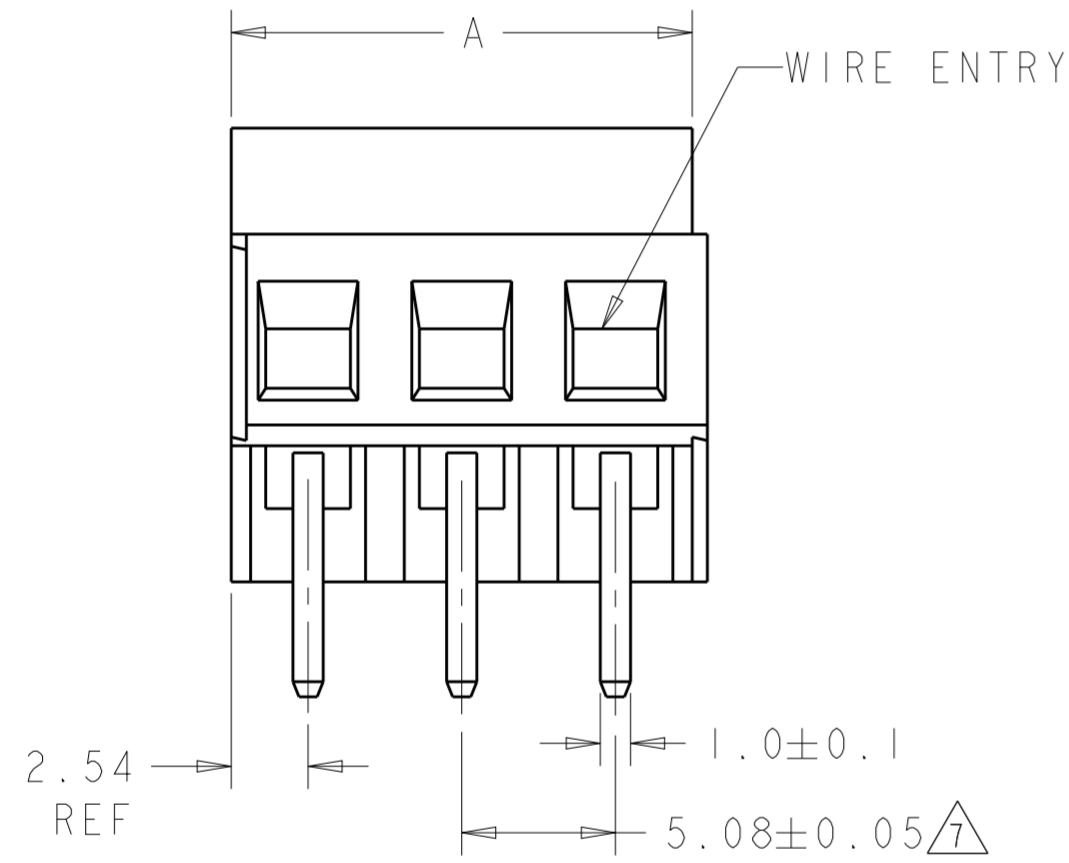
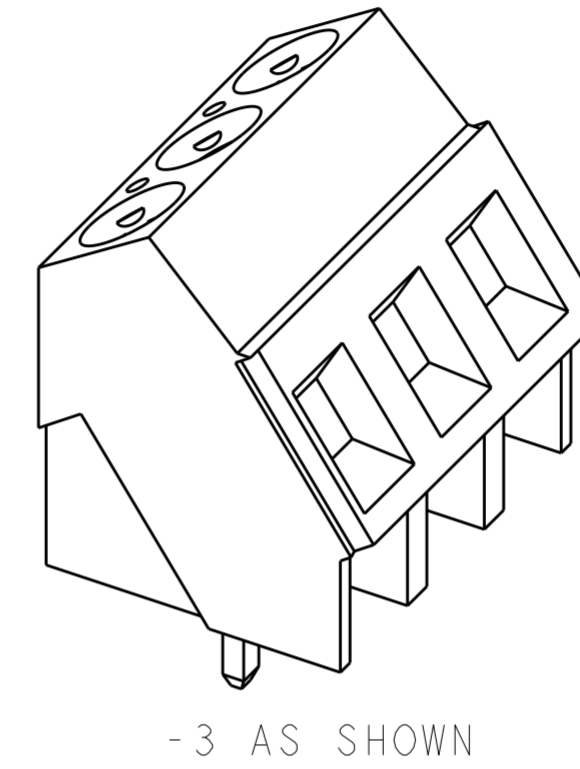
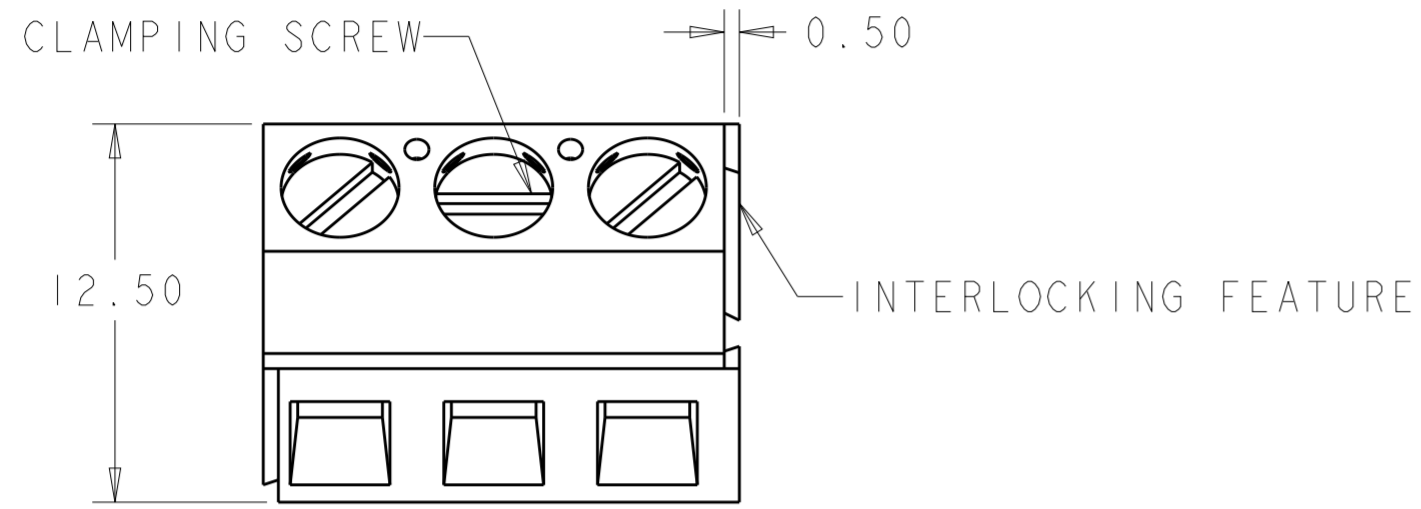
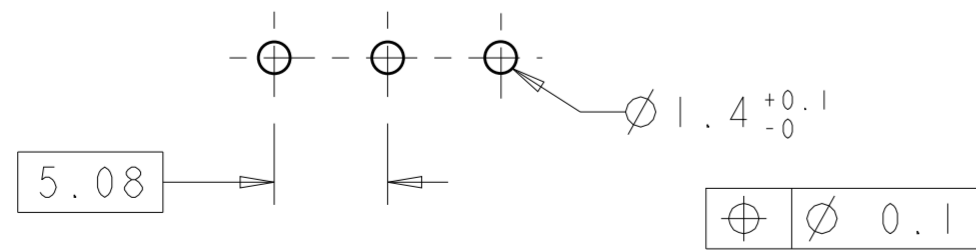


| P | LTR | DESCRIPTION | DATE | DWN | APVD |
|----|-----|--------------------------|-----------|-----|------|
| D4 | | PART STATUS UPDATED | 11JAN2018 | RK | PS |
| D5 | | 2-282847-5 PART OBSOLETE | 30AUG2020 | DV | PS |



| COLOR | DIM. A | MARKING | COMPOSITION | NO POS. | PART NUMBER |
|--------|--------|---------------|----------------|---------|-----------------------|
| GREEN | 15.24 | 9 1, 2, 3 | - | 3 | 2-282847-5 |
| ORANGE | 15.24 | - | - | 3 | 2-282847-3 |
| | 45.72 | 9 SEE SHEET 2 | 3+3+3 pos. | 9 | 1-282847-4 |
| | 66.04 | 9 SEE SHEET 2 | 2+2+3+3+3 pos. | 13 | 1-282847-3 |
| | 60.96 | - | 3+3+3+3 pos. | 12 | 1-282847-2 |
| | 55.88 | - | 3+3+3+2 pos. | 11 | 1-282847-1 |
| | 50.80 | - | 3+3+2+2 pos. | 10 | 1-282847-0 |
| GREEN | 45.72 | - | 3+3+3 pos. | 9 | 282847-9 |
| | 40.64 | - | 3+3+2 pos. | 8 | 282847-8 |
| | 35.56 | - | 3+2+2 pos. | 7 | 282847-7 |
| | 30.48 | - | 3+3 pos. | 6 | 282847-6 |
| | 25.40 | - | 3+2 pos. | 5 | 282847-5 |
| | 20.32 | - | 2+2 pos. | 4 | 282847-4 |
| | 15.24 | - | - | 3 | 282847-3 |
| | 10.16 | - | - | 2 | 282847-2 |

RECOMMENDED PC BOARD LAYOUT



THIS DRAWING IS A CONTROLLED DOCUMENT.

DWN: E. ZANOLINI (SMAR2001)
 CHK: D. BIEVENOUR (SMAR2001)
 APVD: D. BIEVENOUR (SMAR2001)

STE TE Connectivity

NAME: TERMINAL BLOCK, PCB MOUNT
 ANGLED ENTRY WIRE, STACKING
 W/ INTERLOCK, 5.08mm, PITCH

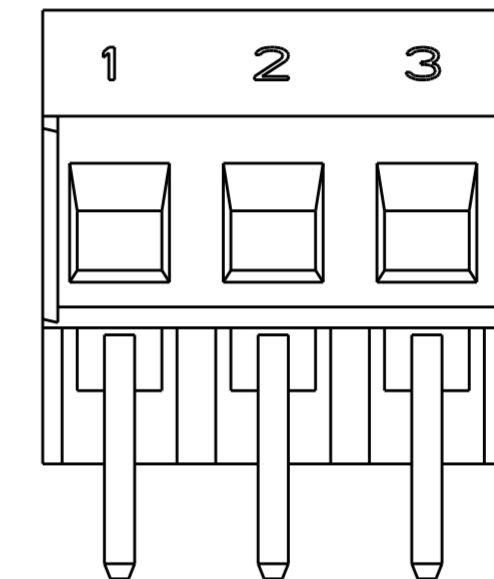
PRODUCT SPEC: -
 APPLICATION SPEC: -
 WEIGHT: -

SIZE: A2 CAGE CODE: 00779 DRAWING NO: C-282847 RESTRICTED TO: -

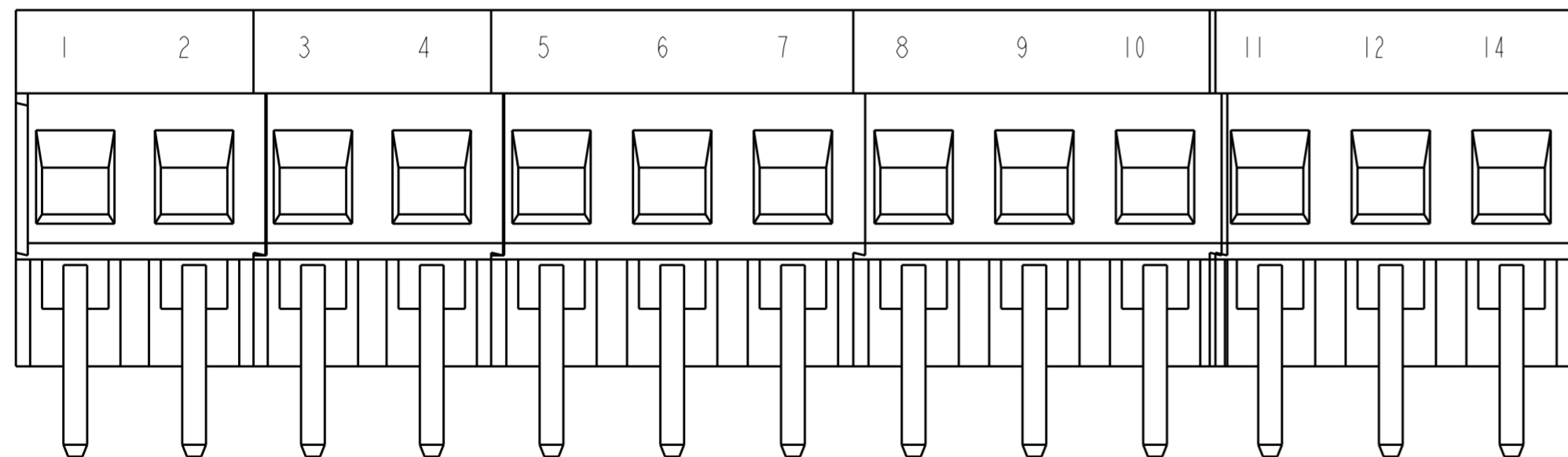
CUSTOMER DRAWING SCALE: 4:1 SHEET: 1 OF 2 REV: D5

| P | LTR | DESCRIPTION | DATE | DWN | APVD |
|---|-----|-------------|------|-----|------|
| - | | SEE SHEET 1 | - | - | - |
| | | | | | |
| | | | | | |

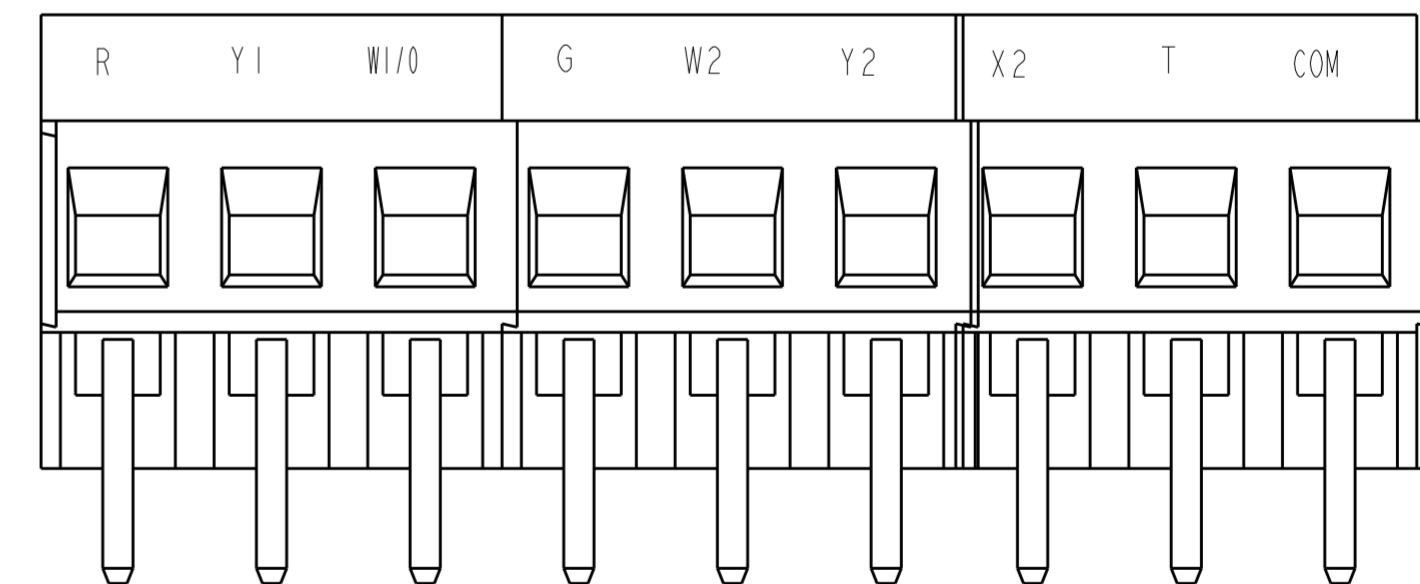
- 1 MATERIALS AND FINISH:
HOUSING: PA 6-6, UL 94-V0, COLOR: SEE TABLE.
CLAMP: BRASS, NICKEL PLATED.
TERMINAL: BRASS, TIN PLATED.
CLAMPING SCREW: M3, BRASS, NICKEL PLATED.
- 2 SUITABLE FOR 1,6-2,4mm PCB THICKNESS.
- 3 END-TO-END STACKABLE W/INTERLOCK, WITHOUT LOSS OF CENTERLINE SPACING.
- 4 WIRE SIZE RANGE:
SOLID WIRE: 0,03-2,5mm² (13AWG)
STRANDED WIRE: 0,03-1,5mm² (15AWG)
- 5 RECOGNIZED UNDER THE COMPONENT PROGRAM OF UNDERWRITERS LABORATORIES INC., FILE NO E60677.
- 6 IMQ CERTIFICATE WITH SURVEILLANCE IN CONFORMITY WITH IEC 998-1/998-2-1.
- 7 NOT CUMULATIVE TOLERANCE.
- 8 P/NS OBTAINED BY GLUING AND ASSEMBLYING TOGETHER LISTED CONNECTORS.
- 9 INK MARKING, BLACK COLOR



P/N 2-282847-5 AS SHOWN



P/N ~~1-282847-3~~ AS SHOWN
OBSOLETE



P/N ~~1-282847-4~~ AS SHOWN
OBSOLETE

| | | | | | |
|--|--|----------------------|--------------|--|---|
| THIS DRAWING IS A CONTROLLED DOCUMENT. | | DWN E. ZANOLINI | 15MAR2001 | | TE Connectivity |
| DIMENSIONS: mm | | CHK D. BIEVENOUR | 15MAR2001 | | |
| TOLERANCES UNLESS OTHERWISE SPECIFIED: | | APVD D. BIEVENOUR | 15MAR2001 | | |
| 0 PLC ±- 1 PLC ±.3 2 PLC ±.25 3 PLC ±- 4 PLC ±- ANGLES ±2 FINISH | | PRODUCT SPEC | - | | |
| MATERIAL | | APPLICATION SPEC | - | | NAME TERMINAL BLOCK, PCB MOUNT ANGLED ENTRY WIRE, STACKING W/ INTERLOCK, 5.08mm, PITCH |
| | | WEIGHT | - | | SIZE A200779 |
| | | CUSTOMER DRAWING | SCALE 4:1 | | DRAWING NO C-282847 |
| | | | SHEET 2 OF 2 | | RESTRICTED TO REV D5 |