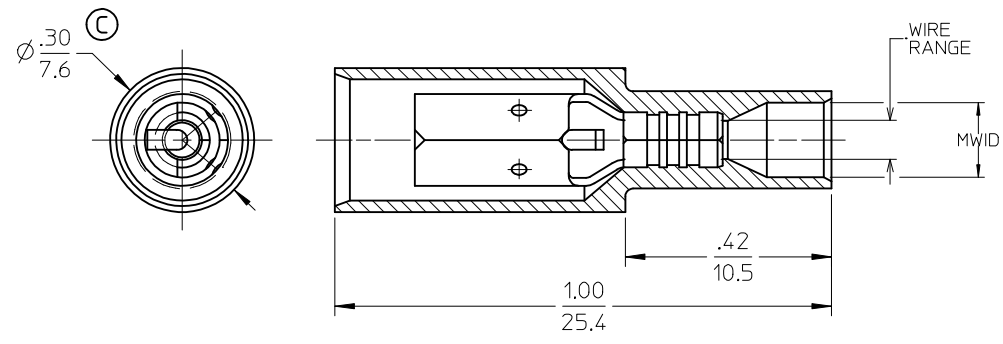


MATERIAL NO. NYLON	ENGINEERING NO. NYLON	INSULATION NYLON COLOR	MATERIAL NO. PVC	ENGINEERING NO. PVC	INSULATION PVC COLOR	WIRE RANGE AWG / MM <sup>2</sup>	MWID	FITS MALE PLUG DIA.
190380037	BRA-2156N	LIGHT RED	190380001	BRA-2156	RED	22-18 / 0.25-1.3	.128/(3.25)	.156/(3.96)
190380006	BRA-2180N	LIGHT RED	190380004	BRA-2180	RED	22-18 / 0.25-1.3	.128/(3.25)	.180/(4.57)
190380009	BRB-2156N	LIGHT BLUE	190380007	BRB-2156	DARK BLUE	16-14 / 1.0-2.6	.150/(3.81)	.156/(3.96)
190380013	BRB-2180N	LIGHT BLUE	190380011	BRB-2180	DARK BLUE	16-14 / 1.0-2.6	.150/(3.81)	.180/(4.57)



# SALES DRAWING

- NOTE(S):**
1. RECEPTACLE MATERIAL: .016/(0.41) THK BRASS
  2. RECEPTACLE FINISH: TIN PLATING
  3. MWID = MAXIMUM WIRE INSULATION DIAMETER
  4. ALL COMPONENTS ARE ROHS COMPLIANT.

REVISE DIM. EC NO: ETC2006-0450 DRWN: CYORK 2006/05/23 CHKD: JMACNEIL 2006/05/24 APPR: RDEROSS 2006/05/24	QUALITY SYMBOLS	GENERAL TOLERANCES (UNLESS SPECIFIED)		SCALE <b>5:1</b>	DESIGN UNITS <b>INCH</b>	THIRD ANGLE PROJECTION	REVISE ON CAD ONLY	
	-0 C=0	mm	INCH	DIMENSION STYLE <b>IN/MM</b>		TITLE <b>FULLY INSULATED INSULK FEMALE BULLET RECEPTACLE</b>		
		4 PLACES ± --- ± ---	3 PLACES ± --- ± .005	2 PLACES ± 0.13 ± .01	1 PLACE ± 0.25 ± ---	DRAWN BY DAY	DATE 97/07/07	MOLEX INCORPORATED SEE CHART
	ANGULAR ± 1/2°		DRAFT WHERE APPLICABLE		CHECKED BY RWD	DATE 97/07/07	MATERIAL NO.	
MUST REMAIN WITHIN DIMENSIONS		THIS DRAWING CONTAINS INFORMATION THAT IS PROPRIETARY TO MOLEX INCORPORATED AND SHOULD NOT BE USED WITHOUT WRITTEN PERMISSION		APPROVED BY RWD	DATE 97/07/07	SHEET NO. 1 OF 1		