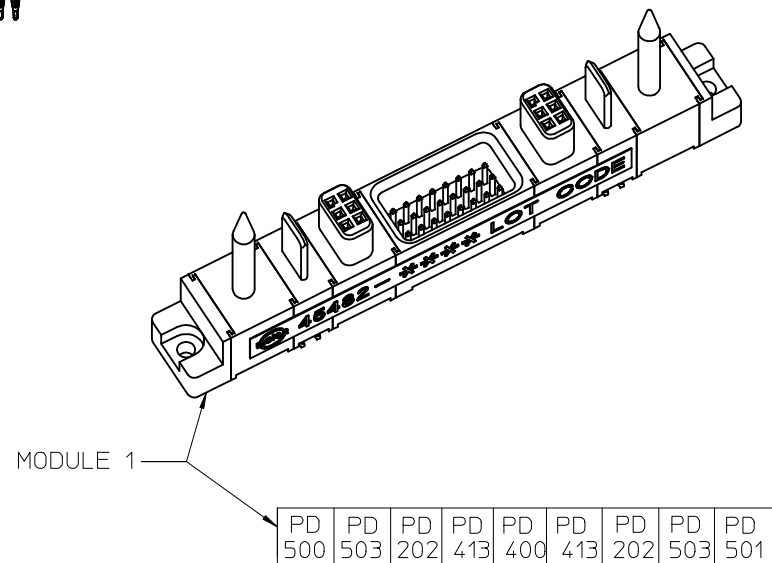
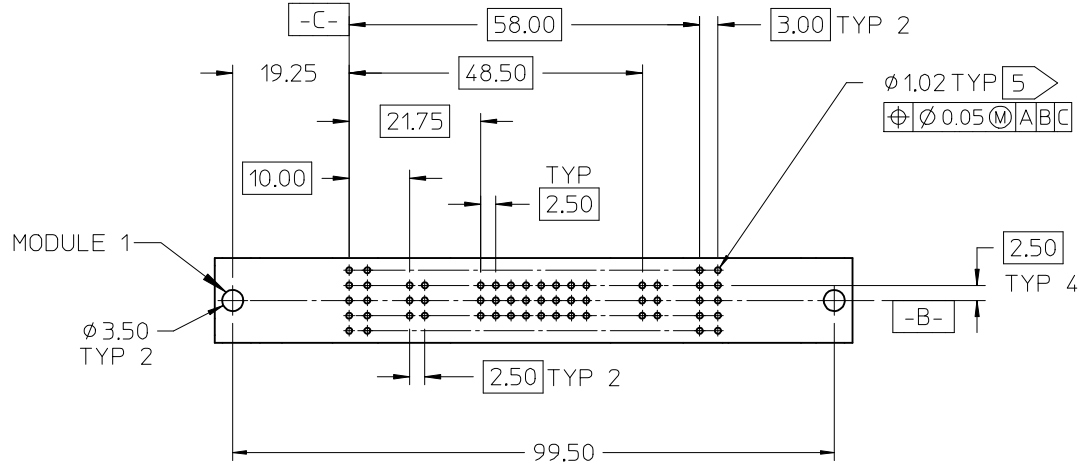
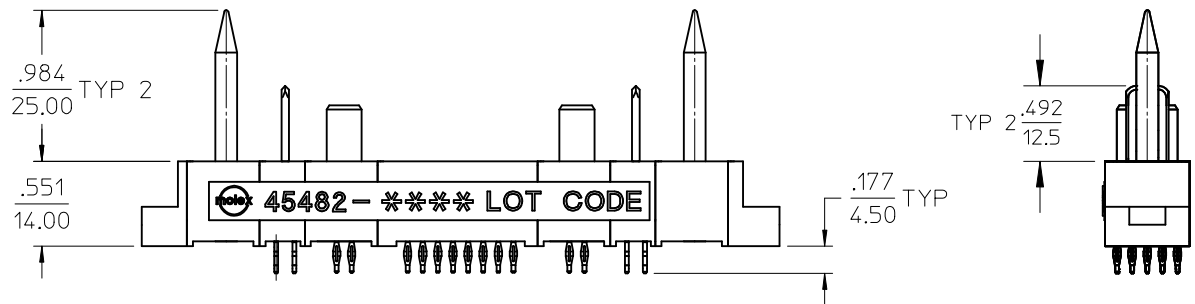


- NOTES:
- MATERIAL: LCP, GLASS FILLED, UL94V-0, BLACK.
CONTACTS: COPPER ALLOY
 - FINISH: SELECT GOLD: 30 MI MIN.
SELECT TIN: 100 MI MIN.
BOTH OVER NICKEL.
 - PRODUCT SPECIFICATION: PS-45424-001.
 - PACKAGING SPECIFICATION: PK-45482-001.
 - PCB HOLE SPECIFICATION: PS-45424-001.



PCB LAYOUT: COMPONENT SIDE
PCB THICKNESS: .093/2.36 MIN
PCB TOLERANCE: ±.002/0.05

ADDED STANDOFFS EC NO: UCP2005-2039 DRWN: ADRATN02005/05/03 CHKD: SAMIEC 2005/05/03 APPR: YMARGULI2005/05/04	QUALITY SYMBOLS	GENERAL TOLERANCES (UNLESS SPECIFIED)	SCALE	DESIGN UNITS	THIRD ANGLE PROJECTION	REVISE ON CAD ONLY
	DESCRIPTION		1:1.33	METRIC		
	REV		mm	INCH	TITLE	
	A1		DRAFT WHERE APPLICABLE		IN/MM	

4 PLACES	± ---	± ---
3 PLACES	± ---	± .010
2 PLACES	± 0.25	± .015
1 PLACE	± 0.38	± ---
ANGULAR ± 1/2°		
DRAFT WHERE APPLICABLE		
MUST REMAIN WITHIN DIMENSIONS		

DRAWN BY	DATE
SAMIEC	2003/10/31
CHECKED BY	DATE
MARGULIS	2003/10/31
APPROVED BY	DATE
MARGULIS	2003/10/31

MATERIAL NO.		DOCUMENT NO.	SHEET NO.
45482-0051		SD-45482-051	1 OF 1
THIS DRAWING CONTAINS INFORMATION THAT IS PROPRIETARY TO MOLEX INCORPORATED AND SHOULD NOT BE USED WITHOUT WRITTEN PERMISSION			