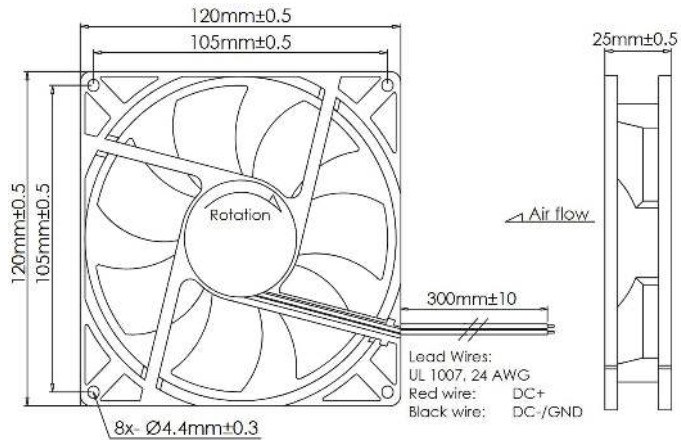


# OD1225 IP68 Series



DC Fans - 12, 24, 48V  
120mm x 25mm (4.7" x 1.0")



Frame	PBT, UL94 V-0 Plastic	<b>Operating Temperature</b> -20°C ~ +65°C  <b>Storage Temperature</b> -25°C ~ +80°C  <b>Life Expectancy</b> 60,000 Hours (L10 at 35°C)  <b>Available Options</b> PWM Speed Control Input Tachometer Output Alarm Output 5 Volt Models  Weight: 0.34 lbs.	
Impeller	PBT, UL94 V-0 Plastic		
Connection	2x Lead Wires, 24 AWG		
Motor	Brushless DC, Auto Restart, Auto Cutoff, Polarity Protected, Electronically Protected, IP68		
Bearing System	Ball Bearings		
Dielectric Strength	500VDC/min, <1mA		
Insulation Resistance	≥10MΩ @ 500 VDC		

Part Number	Rated Voltage (Volts DC)	Voltage Range (Volts DC)	Input Power (Watts)	Rated Current (Amps)(Max)	Rated Speed (RPM)	Max Airflow (CFM)	Noise Level (dBA)	Max Static Pressure ("H <sub>2</sub> O)
OD1225-12HBIP68	12	8 ~ 13.8	5.4	0.45	3100	120	42	0.24"
OD1225-12MBIP68	12	8 ~ 13.8	4.0	0.35	2500	90	35	0.19"
OD1225-12LBIP68	12	8 ~ 13.8	2.5	0.20	1900	70	25	0.15"
OD1225-24HBIP68	24	15 ~ 26	7.7	0.32	3100	120	42	0.24"
OD1225-24MBIP68	24	15 ~ 26	4.1	0.17	2500	90	35	0.19"
OD1225-24LBIP68	24	15 ~ 26	2.4	0.10	1900	70	25	0.15"
OD1225-48HBIP68	48	28 ~ 52	4.3	0.09	3100	120	42	0.24"
OD1225-48MBIP68	48	28 ~ 52	3.5	0.07	2500	90	35	0.19"
OD1225-48LBIP68	48	28 ~ 52	2.9	0.06	1900	70	25	0.15"