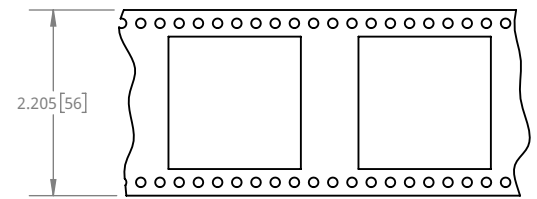
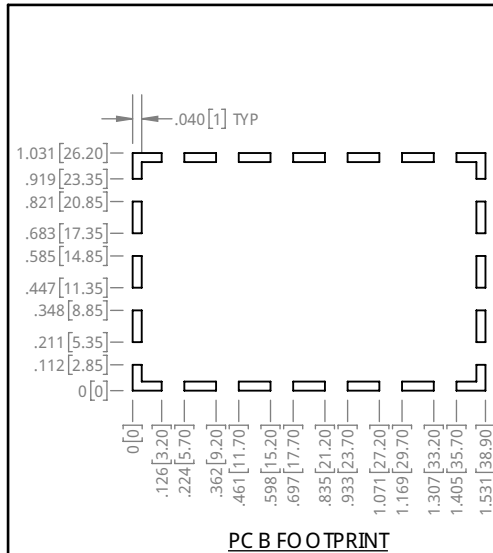
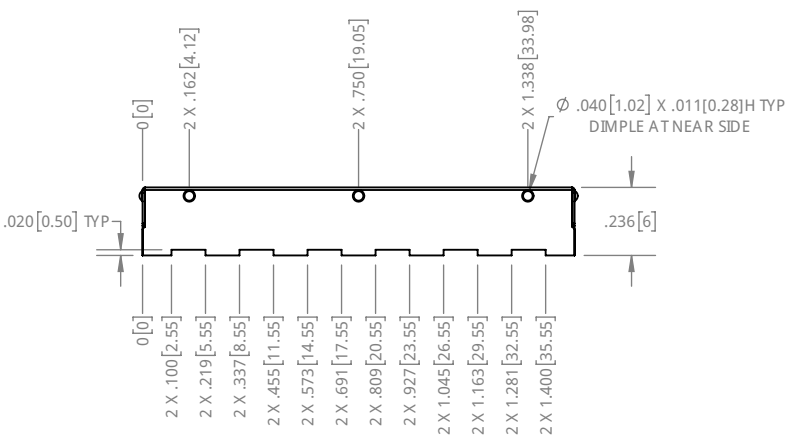
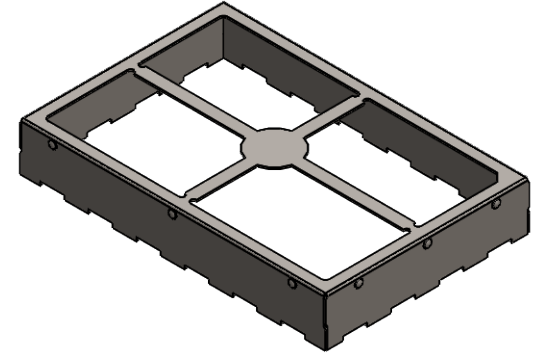
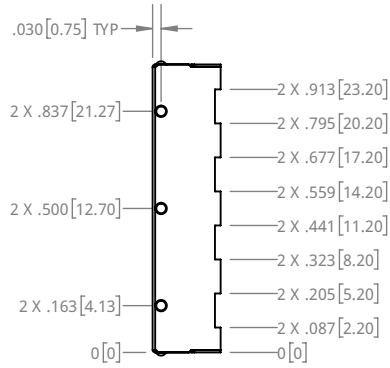
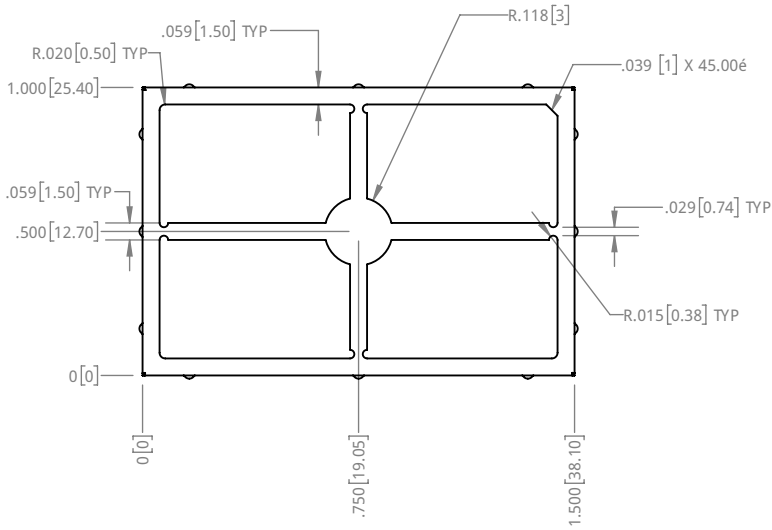


NOTES:

1. MATERIAL: 0.008" NIC KEL SILVER
2. PARTS PER REEL: 200



PROPRIETARY NOTICE: THESE DRAWINGS, LISTS OR SPECIFICATIONS ARE THE CONFIDENTIAL INFORMATION AND/OR TRADE SECRETS OF 3G SHIELDING SPECIALTIES, P., AND SHALL REMAIN THE PROPERTY OF 3G SHIELDING SPECIALTIES, P. IN ALL RIGHTS. NO PART OF THESE DRAWINGS, LISTS OR SPECIFICATIONS SHALL NOT BE REPRODUCED, TRANSMITTED, USED FOR THE DESIGN, MANUFACTURE OR SALE OF EQUIPMENT OR USED FOR ANY OTHER PURPOSE OTHER THAN EVALUATION.

UNLESS OTHERWISE SPECIFIED U/M INCHES TOLERANCE ±0.005			PART NUMBER <b>PIC-N-205F</b>	REV. <b>0</b>
			DESCRIPTION <b>SHIELD FRAME</b>	SCALE <b>1.5:1</b>
DATE	<b>16-01-26</b>	ROHS COMPLIANCE 2011/65/EU		



QE 14202	
PART NUMBER <b>PIC-N-205F</b>	REV. <b>0</b>
DESCRIPTION <b>SHIELD FRAME</b>	SCALE <b>1.5:1</b>
SHEET <b>1 OF 1</b>	