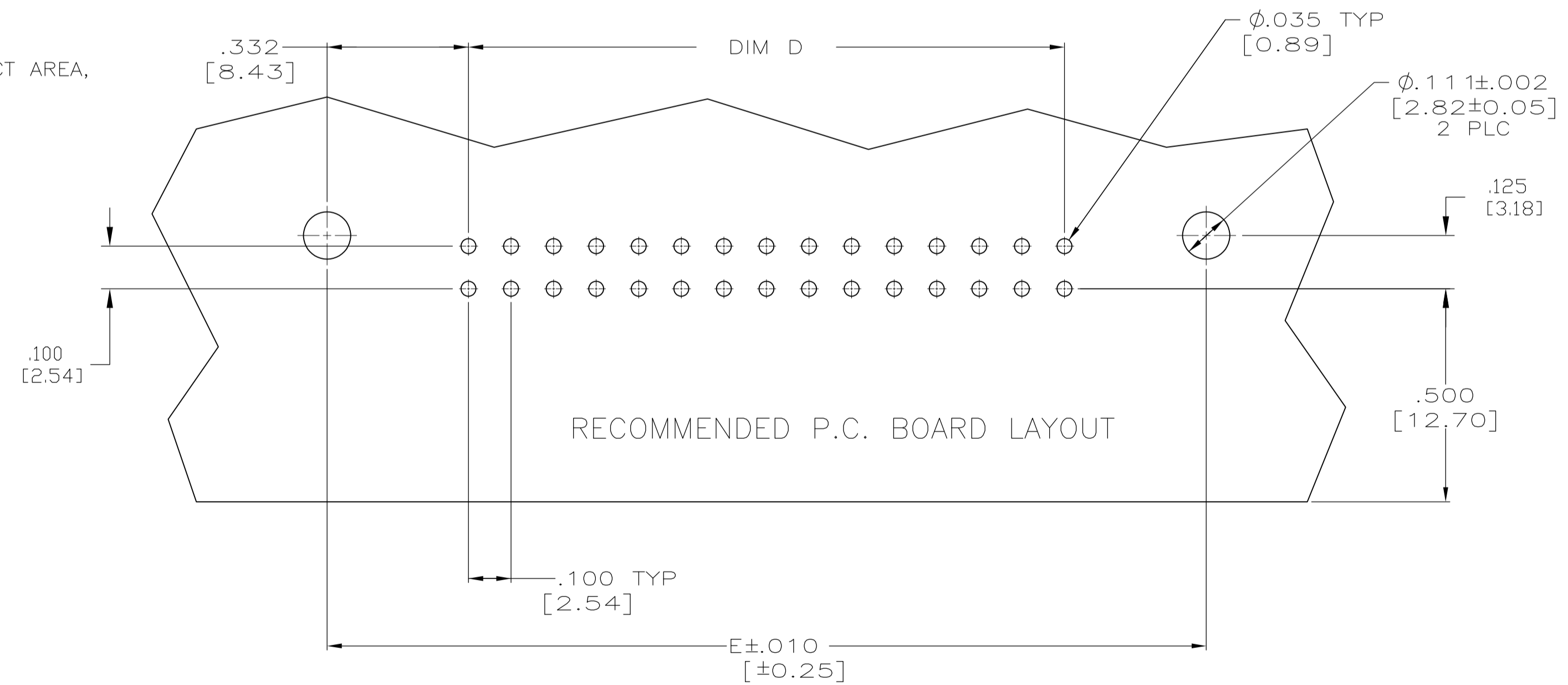
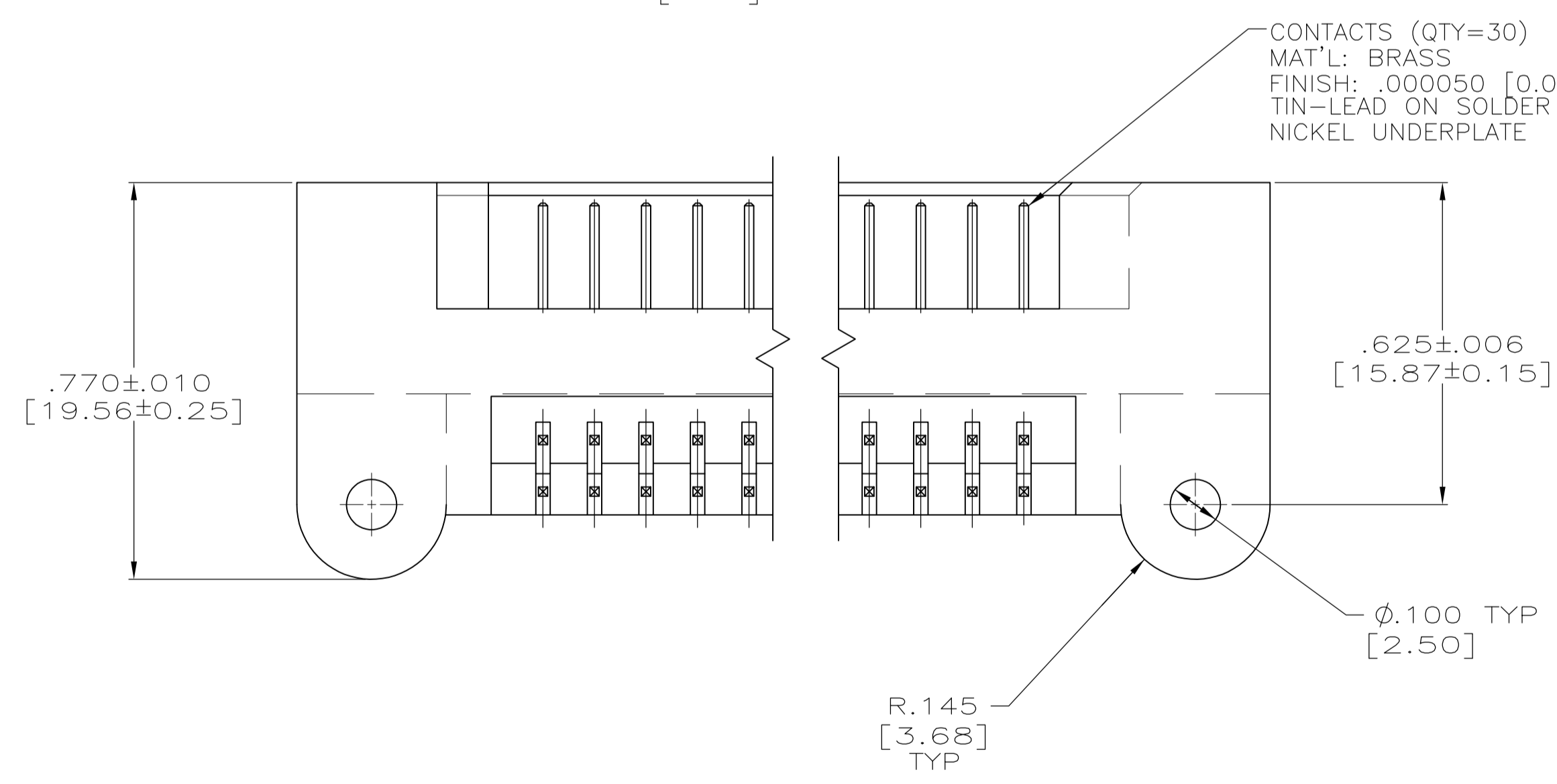
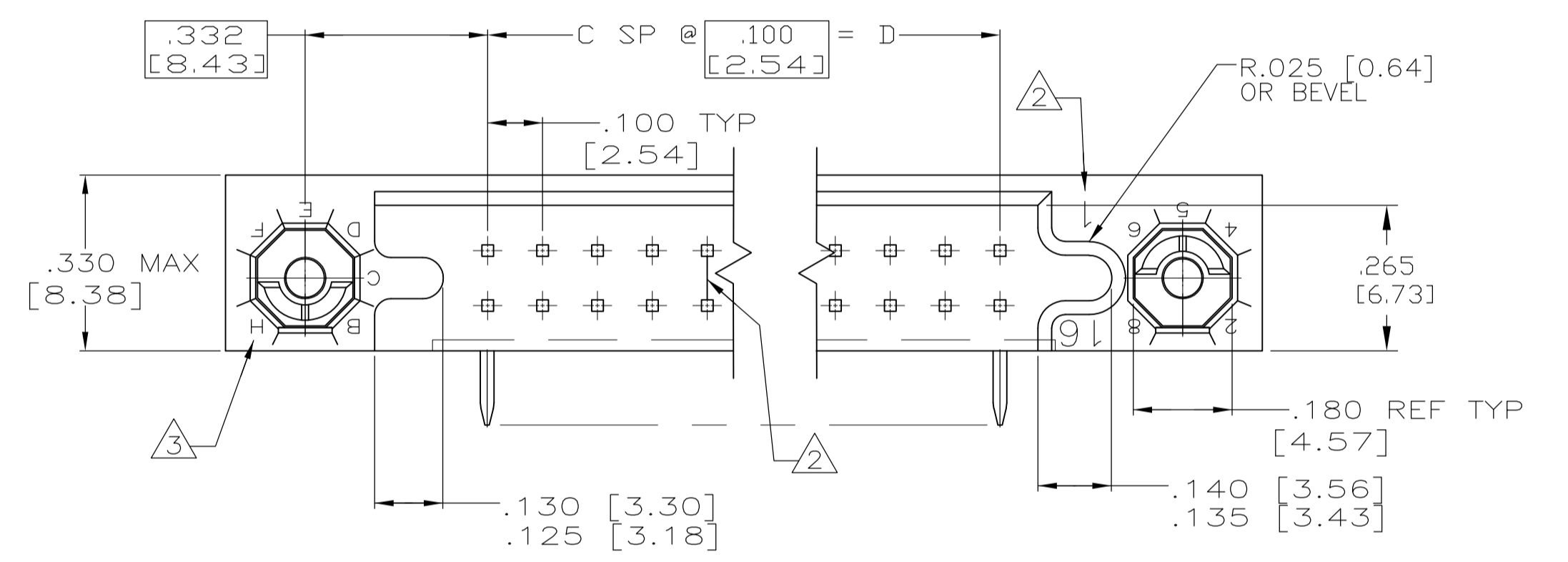
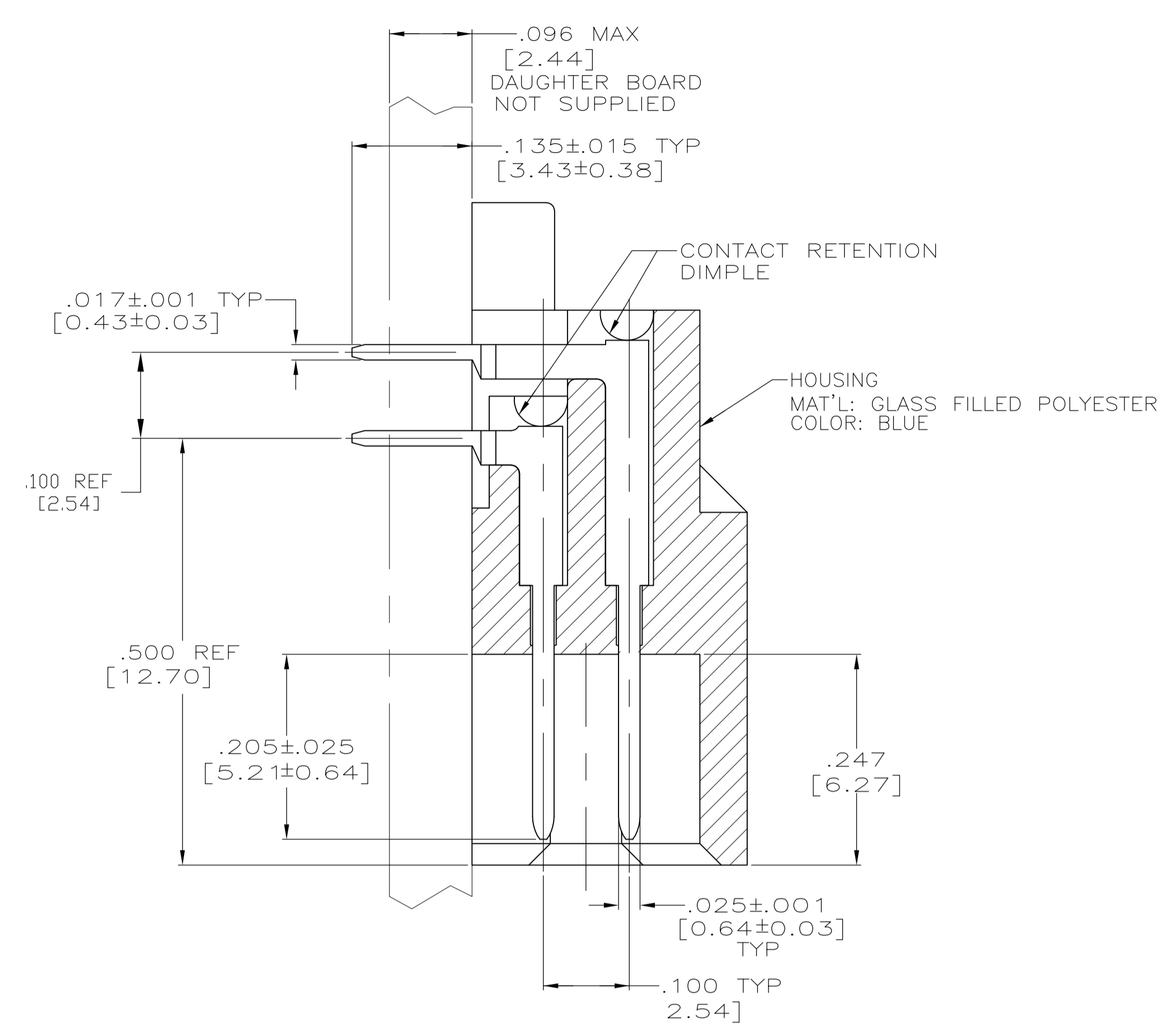
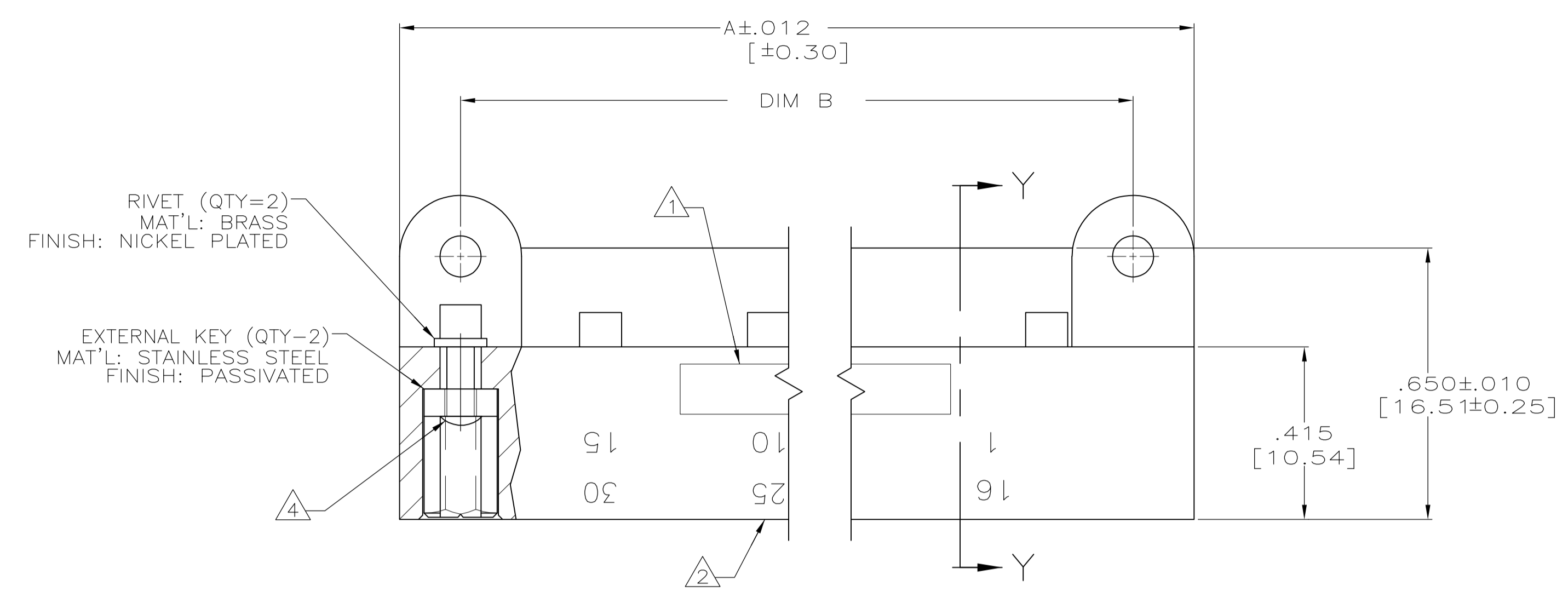


LOC		DIST		REVISIONS			
P	LTR	DESCRIPTION	DATE	DM	APVD		
B	REV PER ECO	10-020319	10-6-10	CT	DM		



- △ CUSTOMER MARKING (SEE TABLE), AMP, DATE CODE AND AMP PART NO. MARKED IN THIS AREA.
- △ NUMBERS AND LINES INDICATING EVERY FIVE CAVITIES MARKED ON MATING FACE, NUMBERS INDICATING EVERY FIVE CAVITIES MARKED ON SIDE.
- △ KEY POSITION IDENTIFICATION MOLDED ON SURFACE SHOWN.
- △ KEY CAPTIVATED BY RIVET, ROLLED EDGES OF RIVET ARE TIGHT FOR AT LEAST 270° OF CONTACTING SURFACE.
- 5. MEETS ALL APPLICABLE REQUIREMENTS OF MIL-C-55302.

2.565 [65.15]	1.900 [48.26]	19	2.565 [65.15]	2.855 [72.52]	A 1	90102-1	1 - 21	40	1218157-3
2.565 [65.15]	1.900 [48.26]	19	2.565 [65.15]	2.855 [72.52]	A 7	90102-7	1 - 21	40	1218157-2
2.065 [52.45]	1.400 [35.56]	14	2.065 [52.45]	2.355 [59.82]	A 5	90102-5	1 - 16	30	1218157-1
DIM E	DIM D	C	DIM B	DIM A	CONNECTOR KEYING POSITION	CUSTOMER MARKING	CAVITY IDENT.	NUMBER OF POSITION	PART NUMBER

THIS DRAWING IS A CONTROLLED DOCUMENT.

DIMENSIONS: INCHES	TOLERANCES UNLESS OTHERWISE SPECIFIED:	DIN C.C.THOMAS 3/12/98	Tyco Electronics Corporation Harrisburg, PA 17105-3608
0 PLC ± -	1 PLC ± -	3-12-98	NAME: BOX ASSY..100 C/LRT ANGLE, PIN HEADER
2 PLC ± -	3 PLC ± .005 [0.13]	APVD: D.GUTTER 3-12-98	SIZE: A1
4 PLC ± -	ANGLES ± -	APPLICATION SPEC	SCALE: 4:1
MATERIAL: SEE CALLOUTS	FINISH: SEE CALLOUTS	WEIGHT: -	DRAWING NO: 00779
			CUSTOMER DRAWING

RESTRICTED TO: 1 OF 1 SHEET