

CUSTOMER PRINT

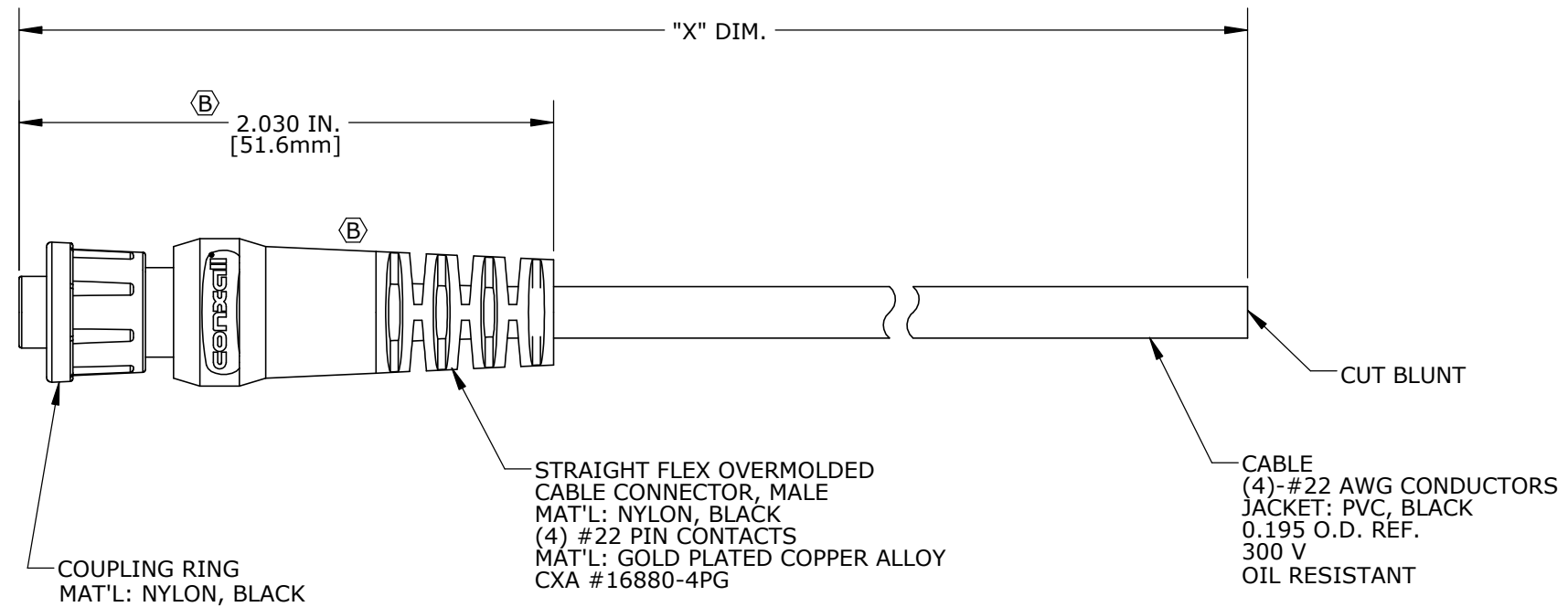
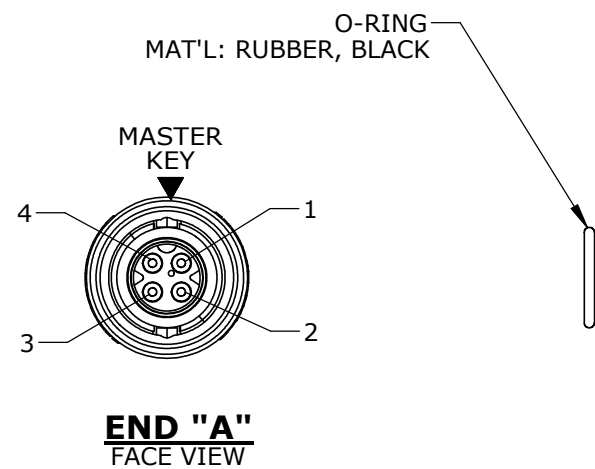
PART NUMBER: CA168804PXXX90

NOTES:

1. FINISHED CABLE ASSEMBLY 3 FEET OR SHORTER TO BE BUNDLED.
FINISHED CABLE ASSEMBLY OVER 3 FEET TO BE COILED
2. OVERMOLD BOOT MATERIAL: PVC, BLACK
3. ELECTRICAL TEST: 100% CONTINUITY
4. ALL DIMENSIONS ARE REFERENCE ONLY EXCEPT WHEN NOTED WITH TOLERANCE

ASS'Y P/N	"X" DIM.
CA168804P03990	3 FT. 3 1/2 IN. ± 2 IN. [1M]
CA168804P07990	6 FT. 7 IN. ± 2 IN. [2M]
CA168804P19790	16 FT. 5 IN. ± 4 IN. [5M]
CA168804P39490	32 FT. 9 3/4 IN. ± 8 IN. [10M]
CA168804PXXX90	

CABLE LENGTH IN "INCHES"



DIMENSIONS IN BRACKET [] ARE METRIC.

CUSTOMER APPROVAL

THIS DOCUMENT CONTAINS CONFIDENTIAL INFORMATION PROPRIETARY TO CONXALL CORPORATION. ANY REPRODUCTION, DISCLOSURE, OR USE OF THIS DOCUMENT /INFORMATION IS EXPRESSLY PROHIBITED UNLESS AUTHORIZED IN WRITING BY CONXALL CORPORATION.

APPROVED BY: _____
DATE: _____

RoHS COMPLIANT

WIRE COLOR CODE, END "A"			
POS. 1	POS. 2	POS. 3	POS. 4
BLK	WHT	BLU	BRN

REV.	INIT.	DATE	DESCRIPTION
B	AN	03-18-21	CHANGED TO FLEX OVERMOLD, UPDATED CONN. DIM. PER ECR 9574
A	AN	09-16-19	DRAWING CREATED PER DOR 19-SQ104237JS

ALL INFORMATION ILLUSTRATED IS THE PROPERTY OF "CONXALL CORPORATION". UNAUTHORIZED DUPLICATION OR DISTRIBUTION OF THIS DOCUMENT IS PROHIBITED.	ORIG. DRAWN BY: AN DATE: 08-21-19 CHECKED BY:	<p>601 E. WILDWOOD VILLA PARK, IL 60181</p>
ALL UNITS ARE IN FEET, INCHES, FRACTION OF INCHES AND DECIMALS.	APPROVED BY: SCALE: NTS SIZE: B SHEET: 1 OF 1 FILE: CA168804PXXX90 DIRECTORY: SLW	
TITLE: CABLE ASSEMBLY (4) #22 PIN CONTACTS MICRO-CON-X, STRAIGHT STANDARD PRODUCT		CUSTOMER: CA168804PXXX90