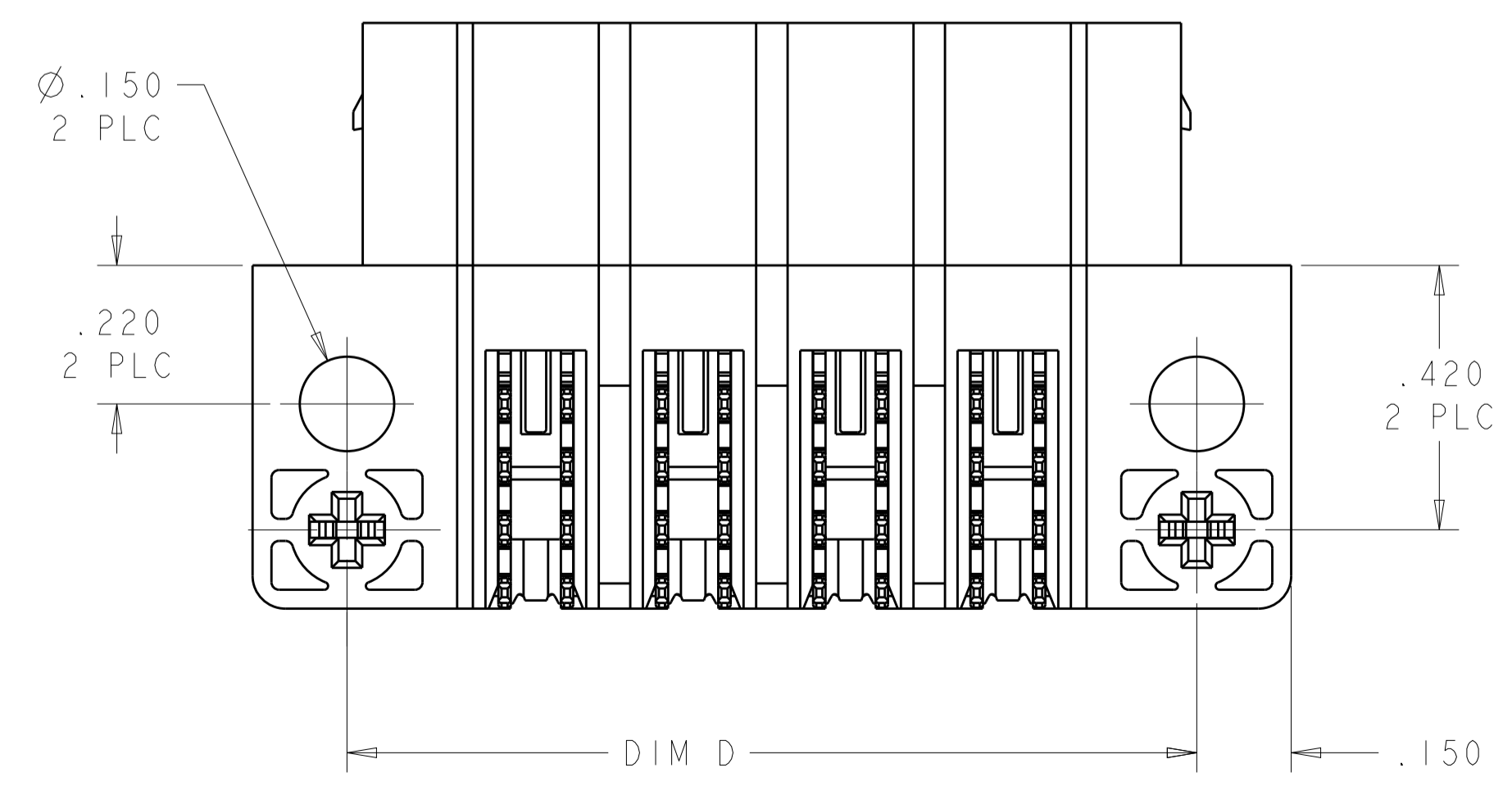
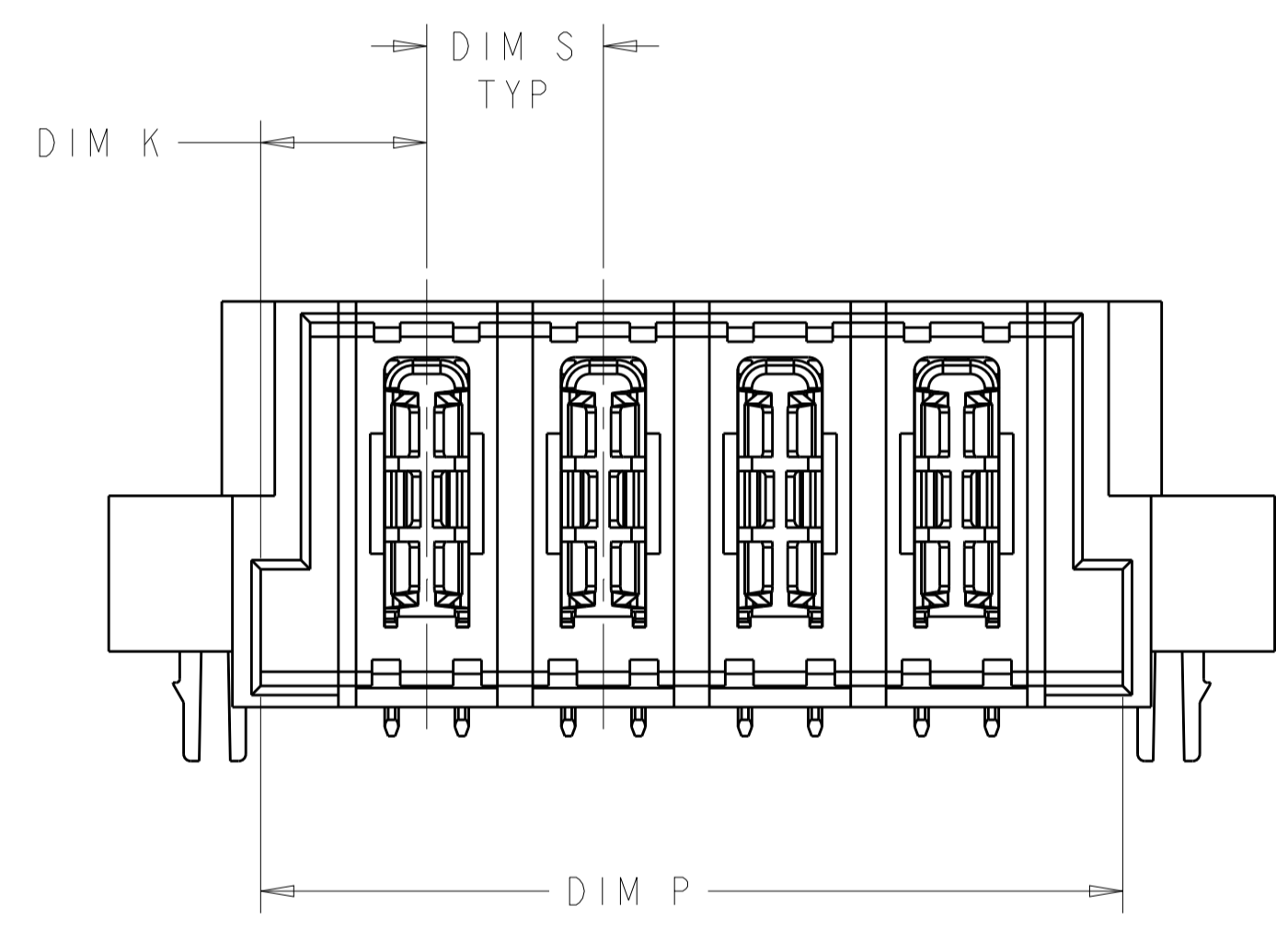
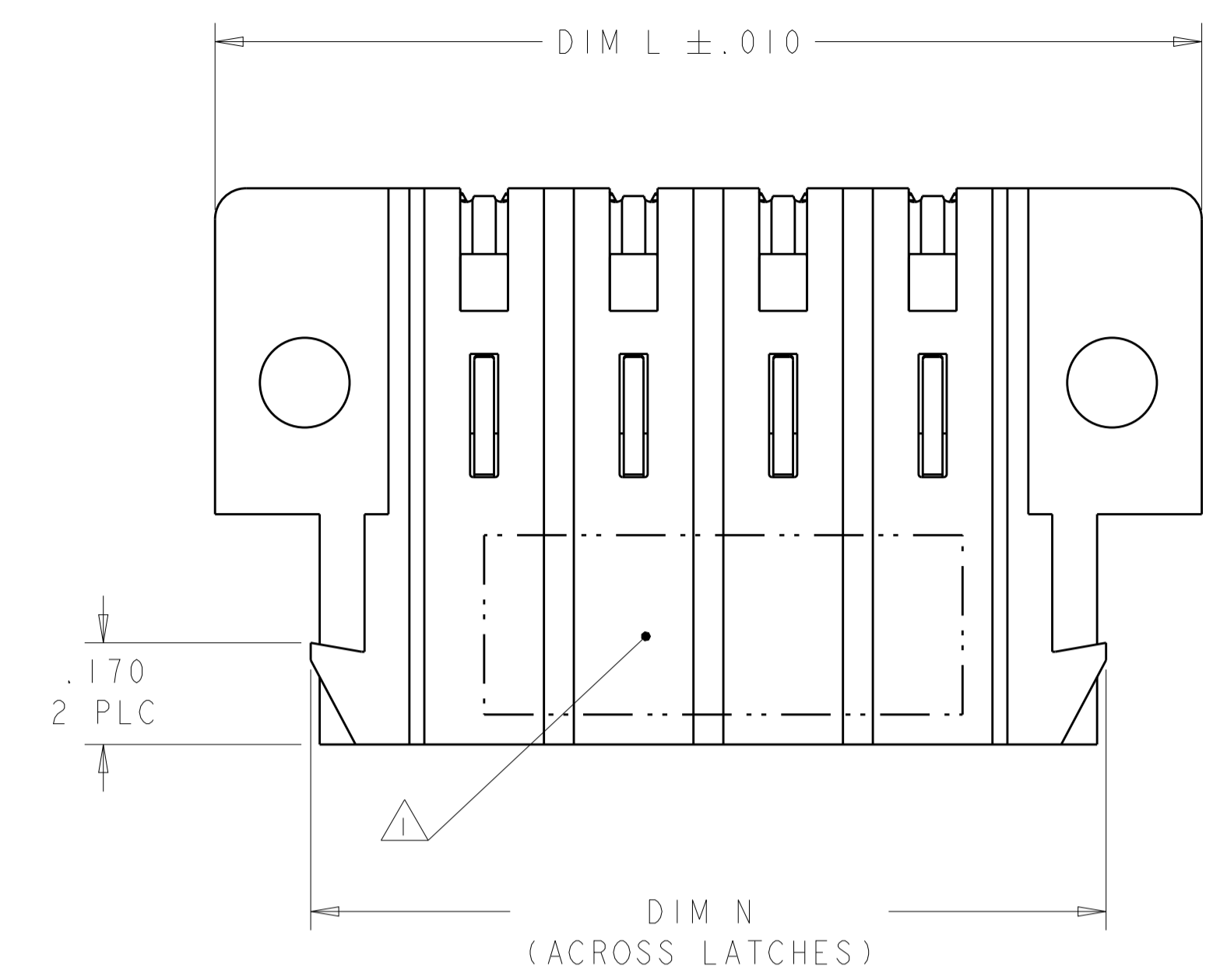
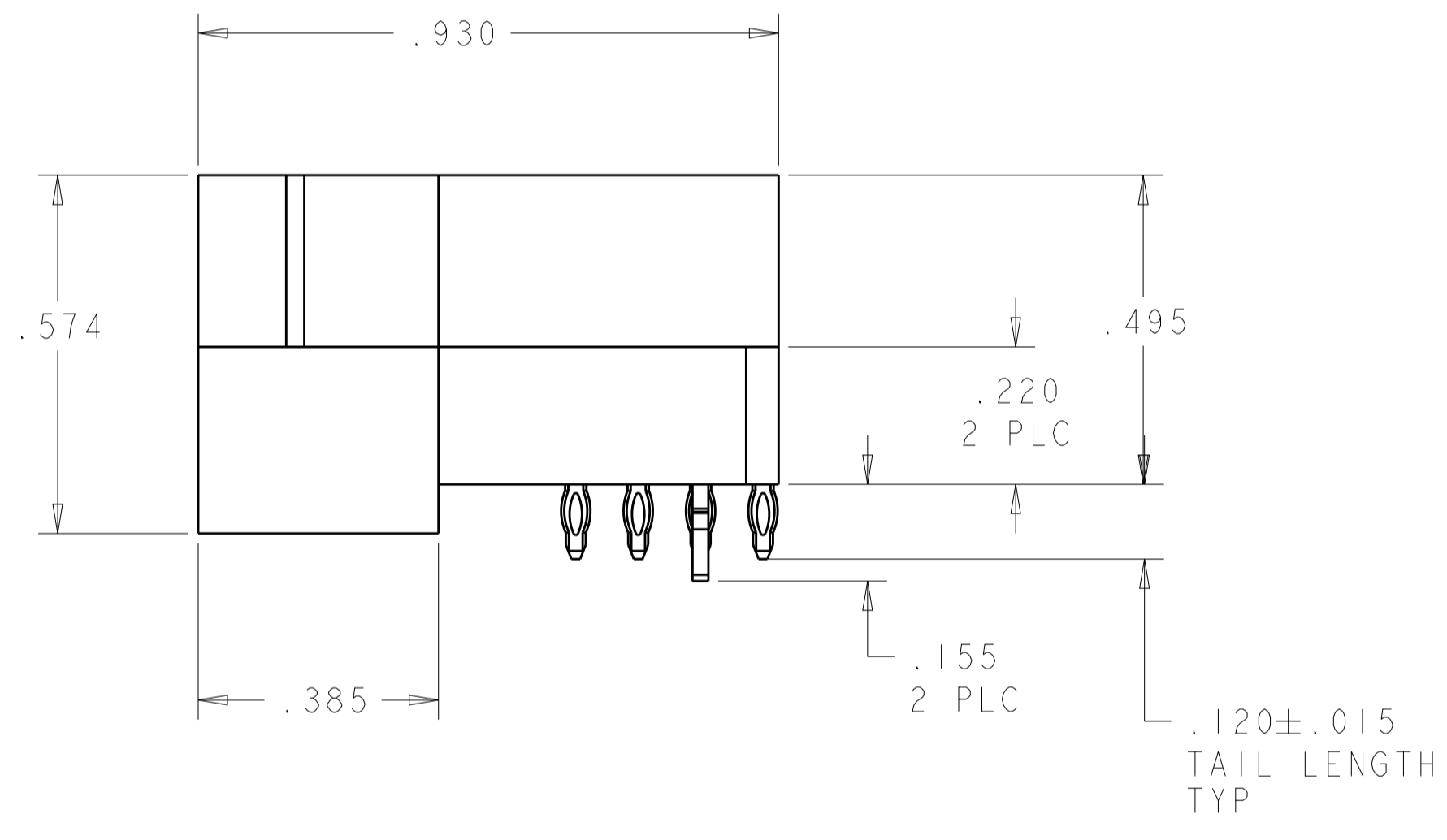


LOC		DIST		REVISIONS			
ES	00	P	LTN	DESCRIPTION	DATE	DWN	APVD
		A3		REV PER ECR-13-004638	20MAR2013	SZ	SY



- ⚠ "AMP" PART NUMBER AND DATE CODE TO BE MARKED IN AREA SHOWN. PARTS UNDER 2.50 INCHES LONG MAY BE MARKED ON BOTH SIDES.
- ⚠ MATERIAL: HOUSING - GLASS FILLED HIGH TEMP THERMO PLASTIC, UL 94 V-0
POWER CONTACT - HIGH CONDUCTIVITY COPPER ALLOY.
- ⚠ CONTACT PLATING: NOBLE METAL PLATING ON CONTACT FUNCTIONAL AREA OF POWER AND SIGNAL CONTACTS
- ⚠ MECHANICAL CONNECTOR KEEP OUT ZONE. WHEN PLACING CONNECTORS END-TO-END, ALLOW ADDITIONAL 0.1 CLEARANCE BETWEEN CONNECTORS FOR LATCH ACTIVATION.
- ⚠ DATUM AND BASIC DIMENSIONS ESTABLISHED BY CUSTOMER.
- ⚠ PCB - ALL HOLE DIAMETERS ARE FINISHED HOLE SIZES.
- ⚠ PCB - .0453±.0010 DRILLED HOLES PLATED WITH .0003 MIN Sn OVER .001 TO .003 Cu PLATING TO ACHIEVE A .040 DIA HOLE.



1.720	1.830	1.850	.250	2.150	.235	6P	1892139-2
1.220	1.330	1.350	.250	1.650	.235	4P	1892139-1
DIM P	DIM N	DIM D	DIM S	DIM L	DIM K	DESCRIPTION	PART NUMBER

THIS DRAWING IS A CONTROLLED DOCUMENT.

DIMENSIONS: INCHES

TOLERANCES UNLESS OTHERWISE SPECIFIED:

0 PLC	±
1 PLC	±.01
2 PLC	±.005
3 PLC	±.0020
4 PLC	±.0020

ANGLES: ±.7°

FINISH: ⚠

MATERIAL: ⚠

THIS DRAWING IS A CONTROLLED DOCUMENT. DWN: C.ZHOU 23MAY2007, CHK: S.ZHAO 23MAY2007, APVD: S.YAO

NAME: RIGHT ANGLE HEADER ASSEMBLY W/ LATCH RECIEVERS AND PRESS FIT MULTI-BEAM

PRODUCT SPEC: 108-1973

APPLICATION SPEC: 114-13038

SIZE: A1, CAGE CODE: 100779, DRAWING NO: 1892139

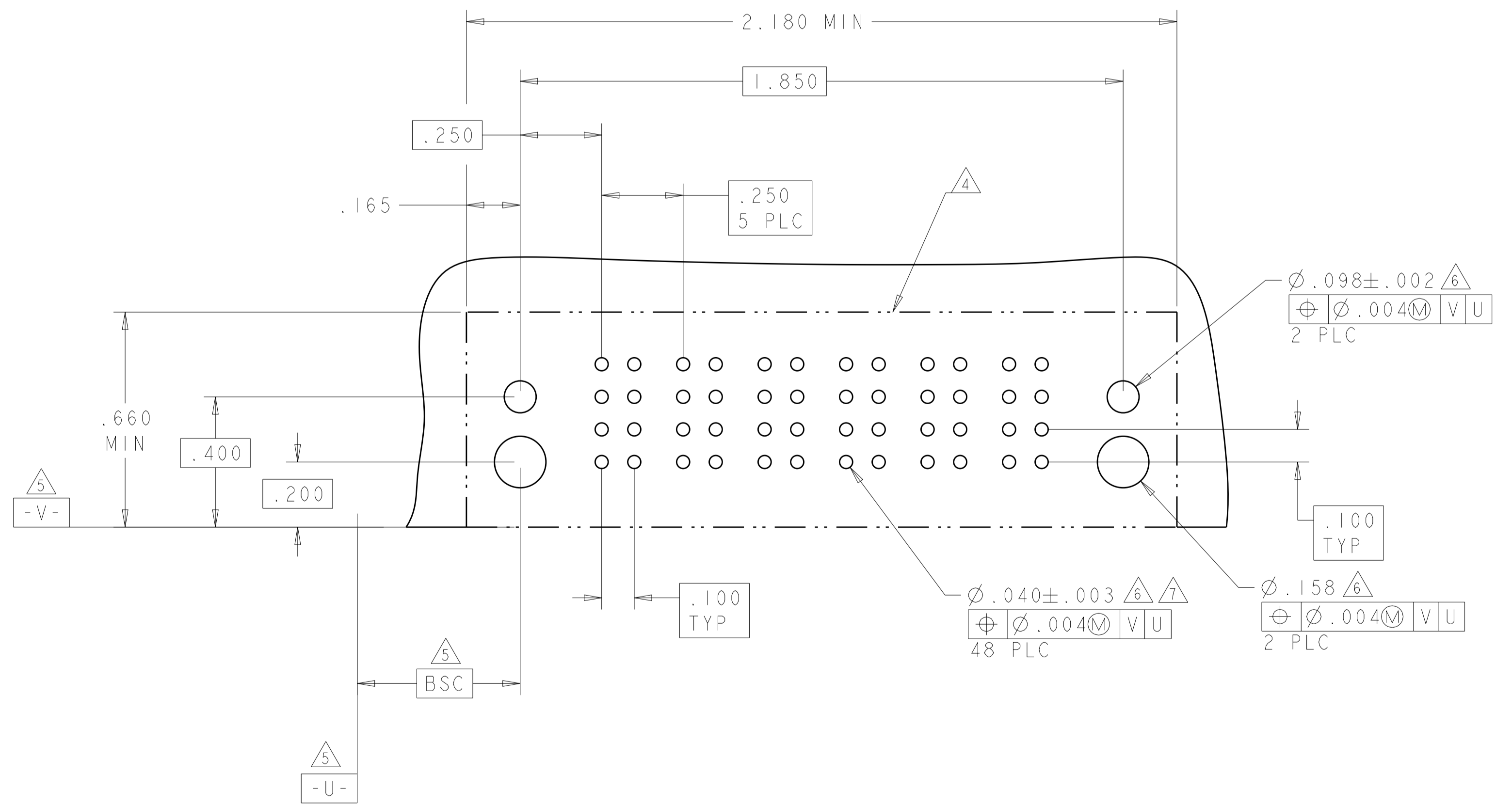
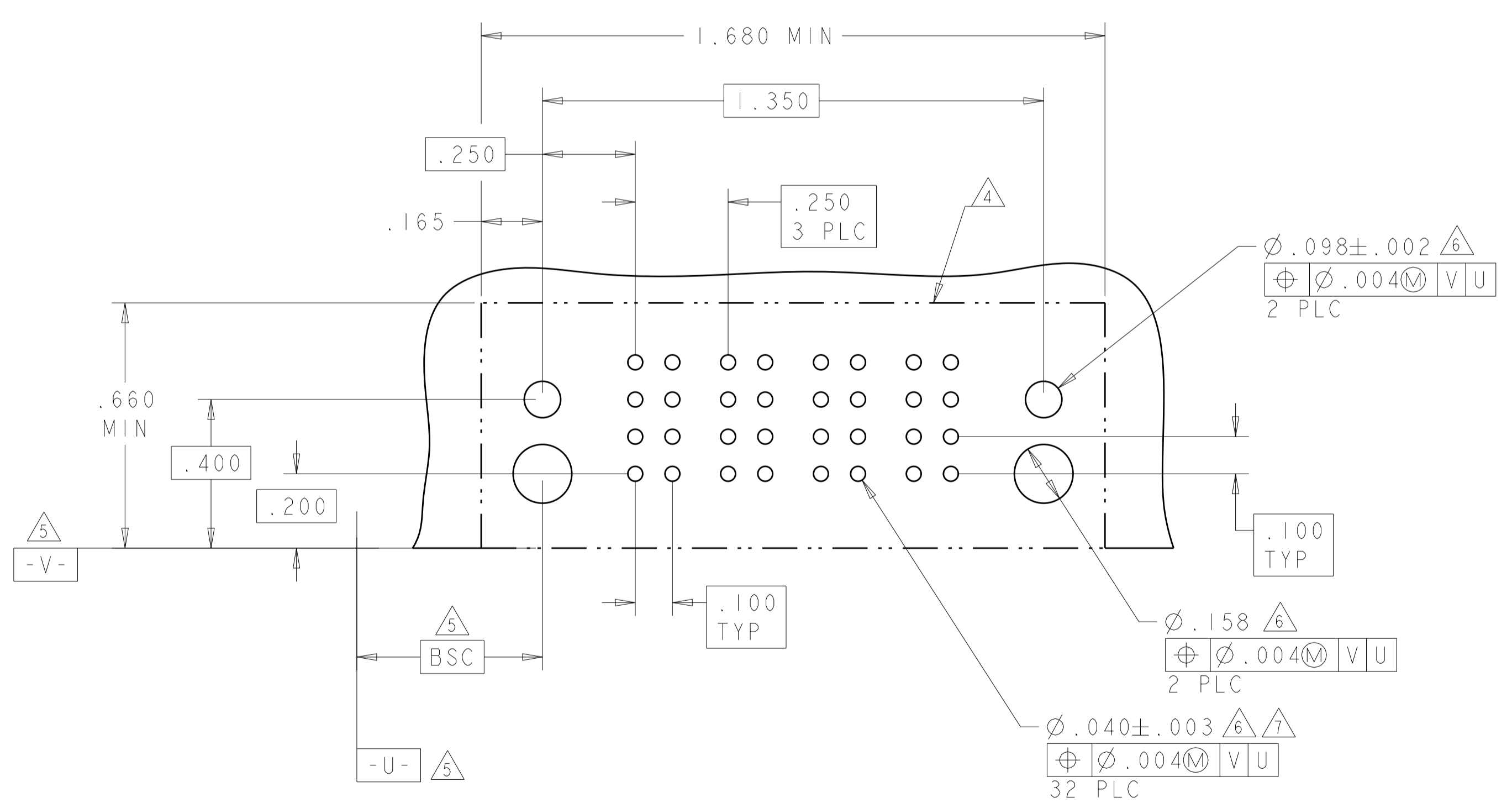
RESTRICTED TO: CUSTOMER DRAWING

SCALE: 4:1, SHEET: 1 OF 2, REV: A3

LOC	DIST	REVISIONS			
P	LTN	DESCRIPTION	DATE	DMN	APVD
ES	00	SEE SHEET 1			

PART NUMBER	ROWS	POWER			
		P1	P2	P3	P4
1892139-1	D C B A	TT	TT	TT	TT
4P		HD		HD	

PART NUMBER	ROWS	POWER					
		P1	P2	P3	P4	P5	P6
1892139-2	D C B A	TT	TT	TT	TT	TT	TT
6P		HD				HD	



TT	3 BEAM, STD POWER PRESS FIT CONTACT .120 LG
CODE	TAIL LENGTH
	CONTACT TABLE

THIS DRAWING IS A CONTROLLED DOCUMENT.

DIMENSIONS: INCHES	TOLERANCES UNLESS OTHERWISE SPECIFIED: 0 PLC ±. 1 PLC ±.01 2 PLC ±.01 3 PLC ±.005 4 PLC ±.0020 ANGLES ±.7°	DMN C. ZHOU CHK S. ZHAO APVD S. YAO	23MAY2007 23MAY2007	 TE Connectivity
MATERIAL	FINISH	NAME S. YAO	PRODUCT SPEC 108-1973 APPLICATION SPEC 114-13038	
CUSTOMER DRAWING		SIZE A1	CAGE CODE 100779	DRAWING NO 1892139
		SCALE 4:1	SHEET 2	OF 2
		REV A3		