

Driver LCO 120W 700/1050/1400/2100mA 0-10V C ADV UNV
OUTDOOR advanced series

**Product description**

- _ Constant current LED driver
- _ Only for US applications
- _ Dimmable via 0 ... 10 V interface
- _ Dimming range 10 to 100 %
- _ UL Listed Class P
- _ FCC Part 15
- _ Dry and damp location
- _ Max. output power 120 W
- _ Up to 93 % efficiency
- _ Nominal lifetime up to 100,000 h
- _ 5 years guarantee (conditions at www.tridonic.com)

Housing properties

- _ Metal casing black
- _ Potted style
- _ Type of protection IP67

Functions

- _ Over voltage protection
- _ Short-circuit protection
- _ No-load protection

Typical applications

- _ For parking lot, high bay and street applications

Website

<http://www.tridonic.us/28002166>



Spotlights



Downlights



Linear



Area



Floor | Wall



Free-standing



Street

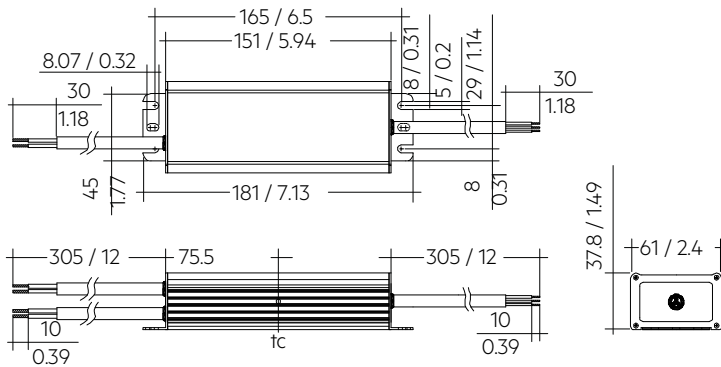


Decorative

Driver LCO 120W 700/1050/1400/2100mA 0-10V C ADV UNV

OUTDOOR advanced series

The complete data sheet for this product is available in the Downloads section.



Dimensions in mm / inch

Ordering data

Type	Article number	Packaging, carton	Packaging, pallet	Weight per pc.
LCO 120/1050/114 0-10V C ADV UNV	28002166	10 pc(s).	380 pc(s).	1.63 lbs

Technical data

Rated supply voltage	100 – 277 V
AC voltage range	90 – 305 V
Mains frequency	50 / 60 Hz
Leakage current (at 120 V, 60 Hz, full load)	< 400 μ A
Leakage current (at 277 V, 60 Hz, full load)	< 750 μ A
Max. input power (at 120 V, 60 Hz, full load)	133 W
Max. input power (at 277 V, 60 Hz, full load)	132 W
λ (at 120 V, 60 Hz, full load)	0.95
λ (at 277 V, 60 Hz, full load)	0.94C
Typ. input current in no-load operation (at 120 V, 60 Hz)	50 mA
Typ. input current in no-load operation (at 277 V, 60 Hz)	70 mA
Typ. input power in no-load operation (at 120 V, 60 Hz)	3 W
Typ. input power in no-load operation (at 277 V, 60 Hz)	4 W
In-rush current (peak / duration at 120 V)	50 A / 4 μ s
In-rush current (peak / duration at 277 V)	95 A / 5 μ s
THD (at 120 V, 60 Hz, full load)	< 8 %
THD (at 277 V, 60 Hz, full load)	< 15 %
Starting time (full load)	\leq 500 ms
Turn off time at full load	< 200 ms
Output current tolerance	\pm 5 %
Max. output current peak (non-repetitive)	\leq output current + 35 %
Output LF current ripple (< 120 Hz)	< 5 %
Dimming range	10 – 100 %
Mains surge capability (between L - N)	2 kV
Mains surge capability (between L/N - PE)	4 kV
Type of protection	IP67
Lifetime	up to 100,000 h
Guarantee	5 Year(s)
Dimensions L x W x H	7.87 x 2.4 x 1.49 inch

Approval marks

Standards

UL 8750, FCC PART 15, ANSI C62.41, ANSI C63.4, UL 1012, NEMA 4, CSA C22.2

Specific technical data

Type	Output current	Min. forward voltage	Max. forward voltage	Max. output voltage (U-OUT)	Max. output power (at 120 V, 60 Hz, full load)	Typ. power consumption (at 120 V, 60 Hz, full load)	Typ. current consumption (at 120 V, 60 Hz, full load)	Typ. efficiency (at 120 V, 60 Hz, full load)	Max. output power (at 277 V, 60 Hz, full load)	Typ. power consumption (at 277 V, 60 Hz, full load)	Typ. current consumption (at 277 V, 60 Hz, full load)	Typ. efficiency (at 277 V, 60 Hz, full load)	t _c	Ambient temperature t _a
LCO 120/1050/114 0-10V C ADV UNV	1,050 mA	57 V	114 V	120 V	120.0 W	132.0 W	1,100 mA	90.5 %	120.0 W	130.0 W	490 mA	92 %	194 °F	-22 .. +140 °F