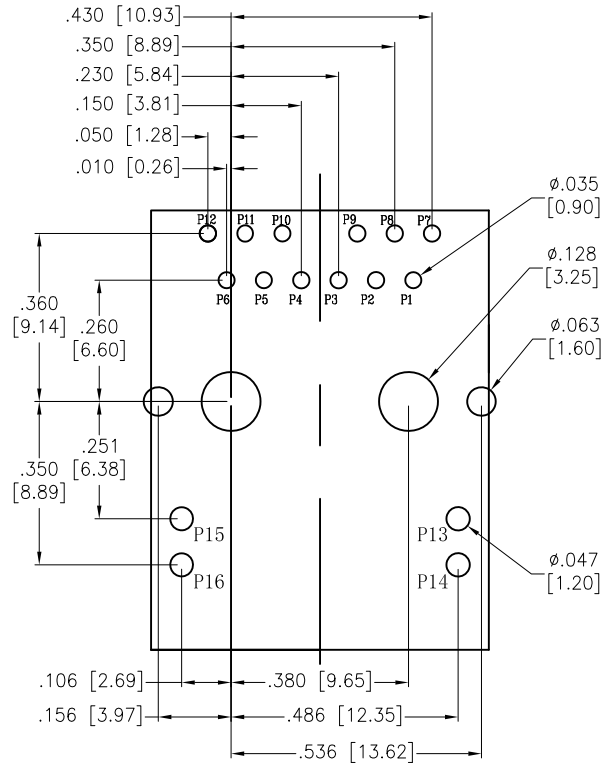


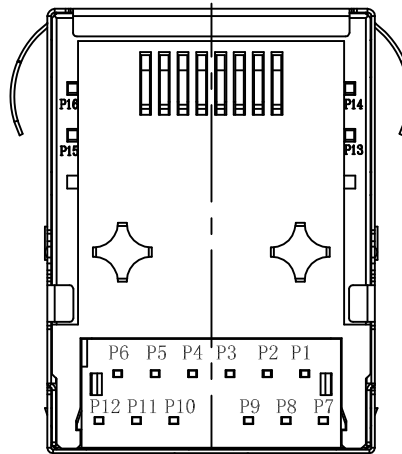
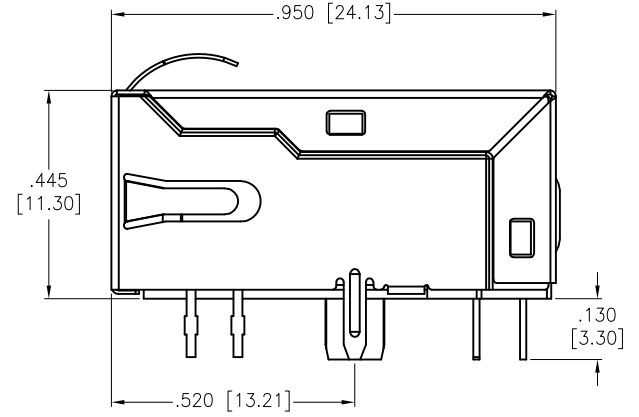
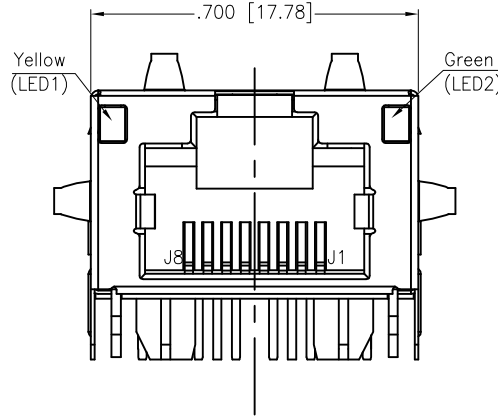
APPROVED: _____

DATE: _____ TITLE: _____

Rev	AWO #	Description	Date	Appr
-		RELEASED	8/19/19	



RECOMMENDED PCB LAYOUT



SPECIFICATIONS:

Material:
 Insulator: Thermoplastic, rated UL 94V-0, Color: Black
 Contacts: Phosphor Bronze
 Shield: Brass, Nickel plated
 Plating:
 Round contact
 Gold over Nickel underplate overall
 Flat contact
 Gold over Nickel underplate on contact area,
 Tin over Nickel underplate on solder tails
Electrical:
 Voltage rating: 150 VAC
 Contact Resistance: 20 mohms max
 Insulation resistance: 500 Mohms min
 Dielectric withstanding voltage: 2250 VDC For 1 Minute
 Temperature Rating:
 Operating temperature: 0°C to +70°C
 Agency Certifications:
 UL Recognized
 Environmental:
 Lead free, RoHS compliant.



UNLESS OTHERWISE SPECIFIED
 ALL DIMENSIONS ARE INCHES [MM]
 TOLERANCES: EXCEPT AS NOTED
 INCHES HOLES

.X ± .10	∅X ± .10
.XX ± .020	∅XX ± .015
.XXX ± .015	∅XXX ± .010

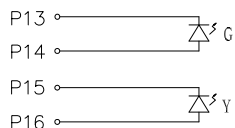
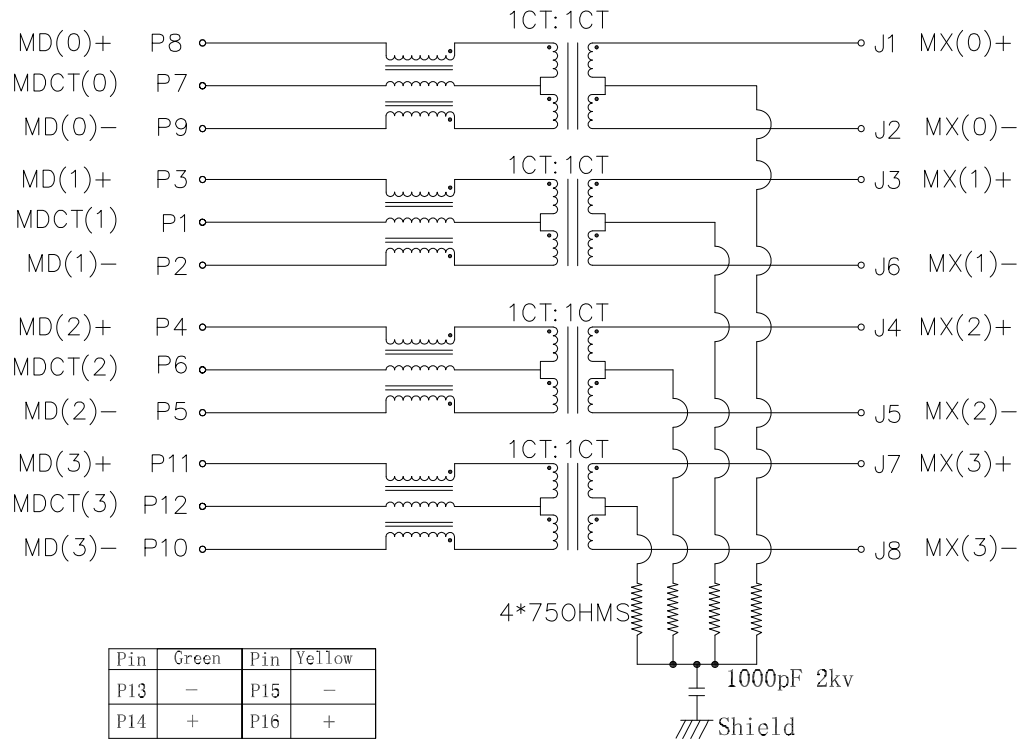
APPROVALS		DATE
DRAWN	LH	8/19/19
CHECKED	IW	8/19/19
APPROVED		

ADAM TECH
 INTERCONNECTS
 909 Rahway Avenue,
 Union, NJ 07083
 Phone: 908-687-5000
 Fax: 908-687-5710

TITLE MODULAR TELEPHONE JACK, 1 PORT, 8P8C W/ LED1 YELLOW, LED2 GREEN, 5G BASE-T		
SIZE X	PART NO. MTJ-88SUX1-FS-PG-LG-M245C	REV. -
REF: S00005C	SCALE: NTS	SHEET 1 OF 2

APPROVED: _____
 DATE: _____ TITLE: _____

Rev	AWO #	Description	Date	Appr
SEE SHT 1 OF 2 FOR REVISION				



Pin	Green	Pin	Yellow
P13	-	P15	-
P14	+	P16	+

PARAMETER	SPECIFICATIONS		
URNS RATIO	1.00 ± 2%		
POLARITY	PER SCHEMATIC		
INSERTION LOSS	1-50MHz	50-125MHz	125-250MHz
	-0.5 dB MIN	-1.2 dB MIN	-2 dB MIN
RETURN LOSS	1-40 MHz	40-250 MHz	
	-16 dB MIN	16+10Log10(f/40) 40<f≤250 dB	
COMMON MODE REJECTION RATIO	1-40 MHz	40-100 MHz	100-250 MHz
	-30 dB MIN	-28 dB MIN	-26 dB MIN
DIFFERENTIAL MODE TO COMMON MODE ATTENUATION	1-250 MHz		
	-30dB MIN		
INDUCTANCE (OCL)	120uH MIN @100KHz,0.1V		
INPUT - OUTPUT ISOLATION	2250 VDC MINIMUM FOR 60 SECONDS		

UNLESS OTHERWISE SPECIFIED
 ALL DIMENSIONS ARE INCHES [MM]
 TOLERANCES: EXCEPT AS NOTED
 INCHES HOLES

.X ± .10	∅.X ± .10
.XX ± .020	∅.XX ± .015
.XXX ± .015	∅.XXX ± .010

APPROVALS		DATE
DRAWN	LH	8/19/19
CHECKED	IW	8/19/19
APPROVED		

ADAM TECH
 INTERCONNECTS

909 Rahway Avenue,
 Union, NJ 07083
 Phone: 908-687-5000
 Fax: 908-687-5710

TITLE
 MODULAR JACK GANGED, 1 PORT, 8P8C
 W/ LED1 YELLOW, LED2 GREEN, 5G BASE-T

SIZE	PART NO.	REV.
X	MTJ-88SUX1-FS-PG-LG-M245C	-
REF: S00005C	SCALE: NTS	SHEET 2 OF 2