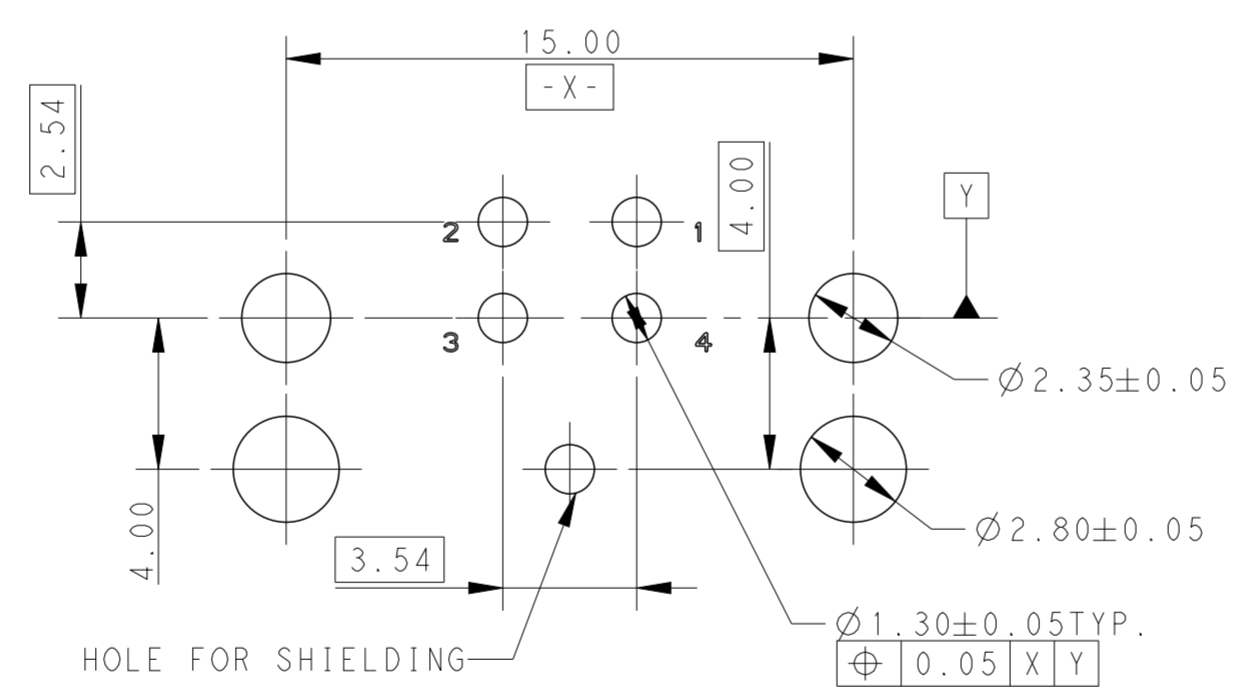
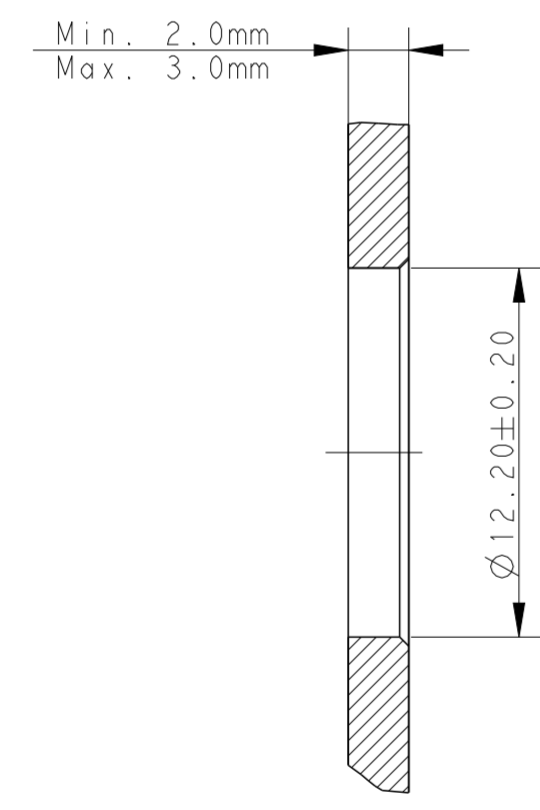
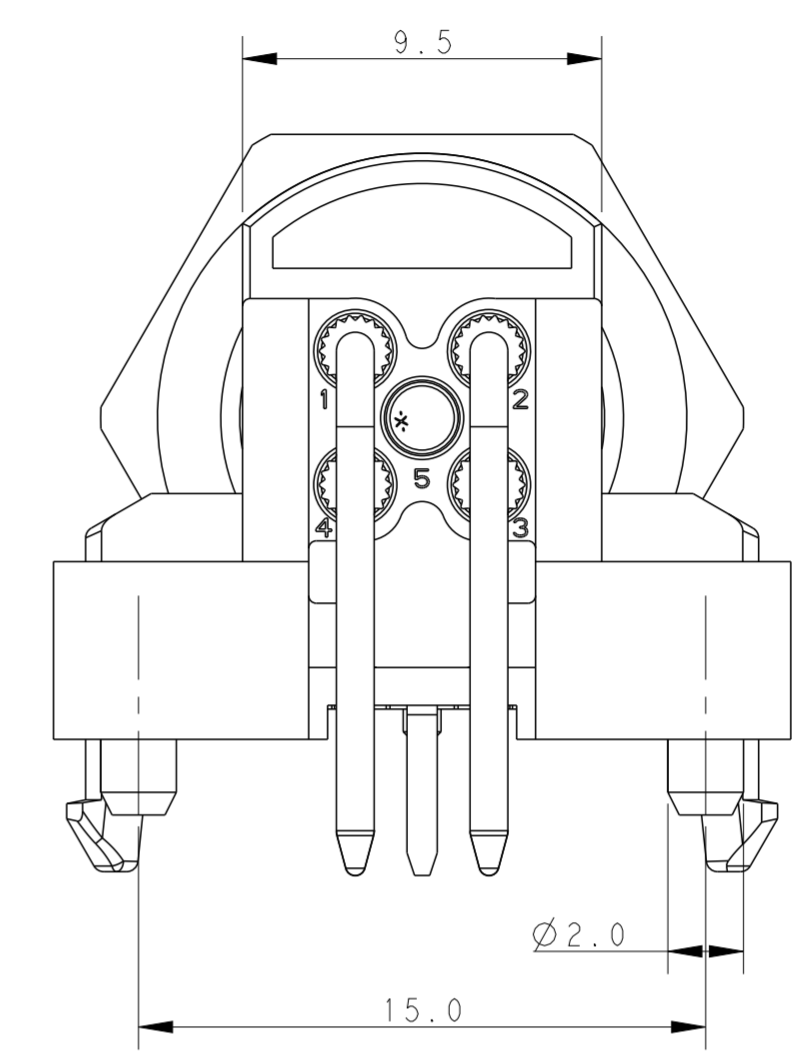
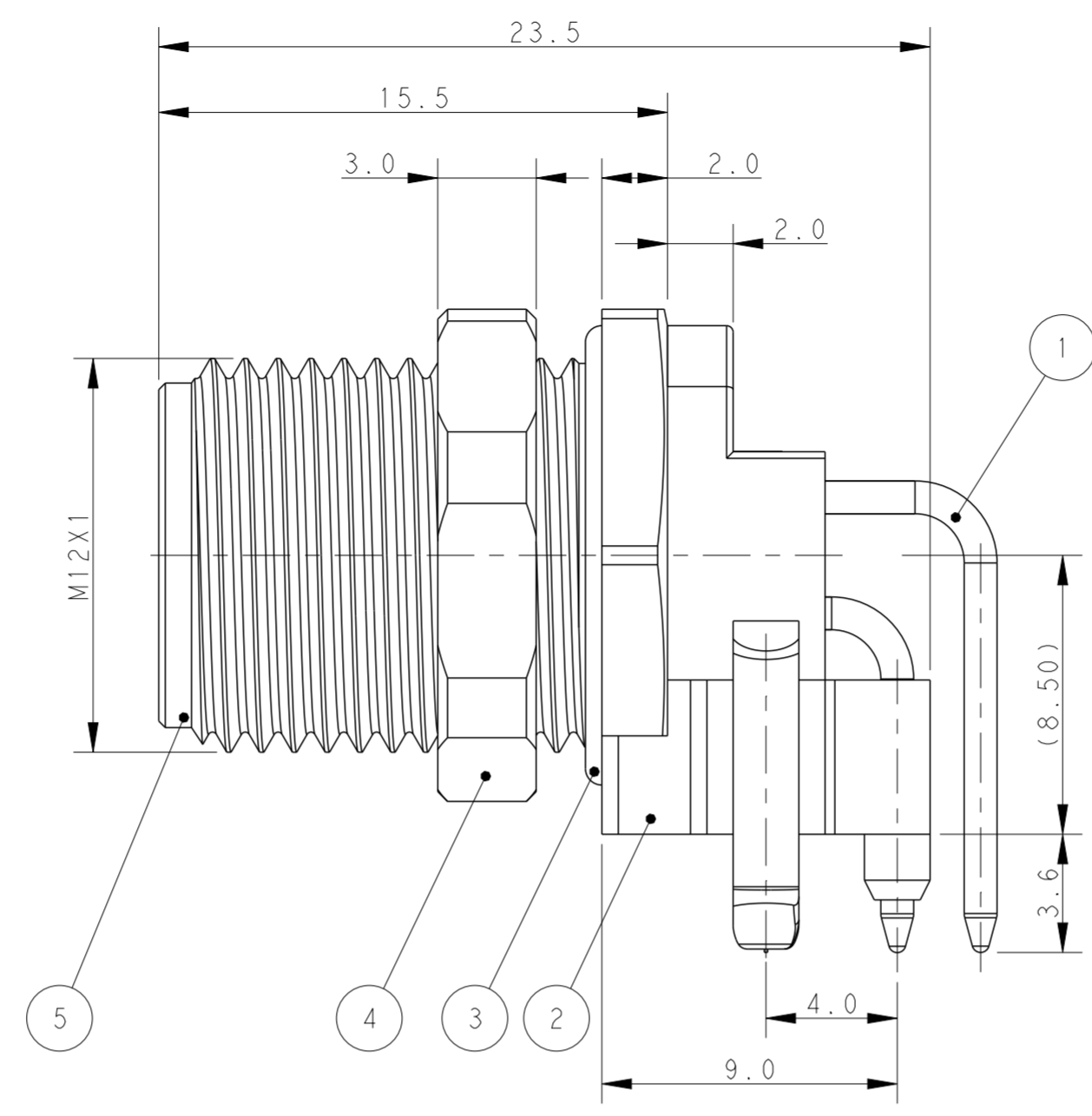
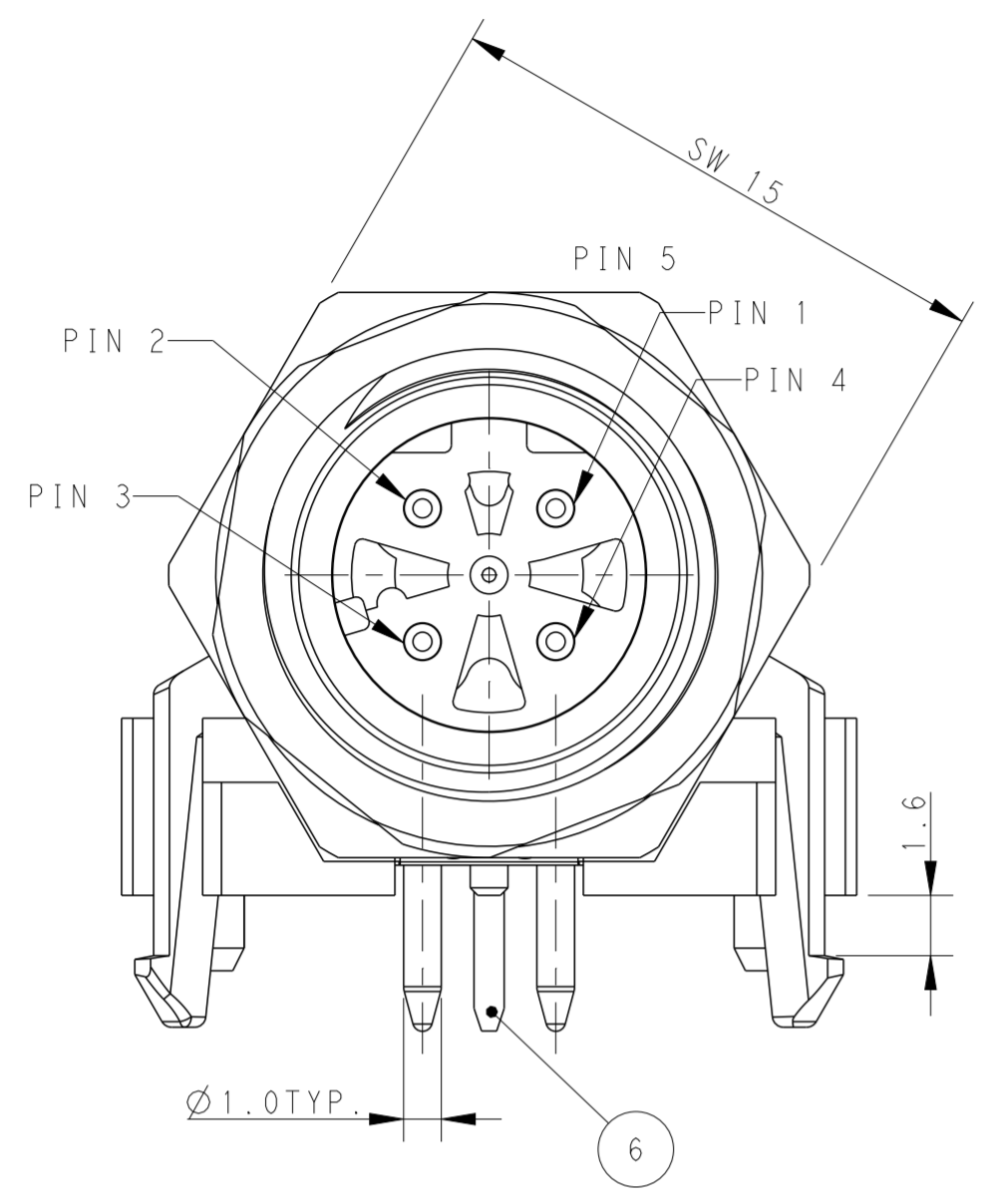
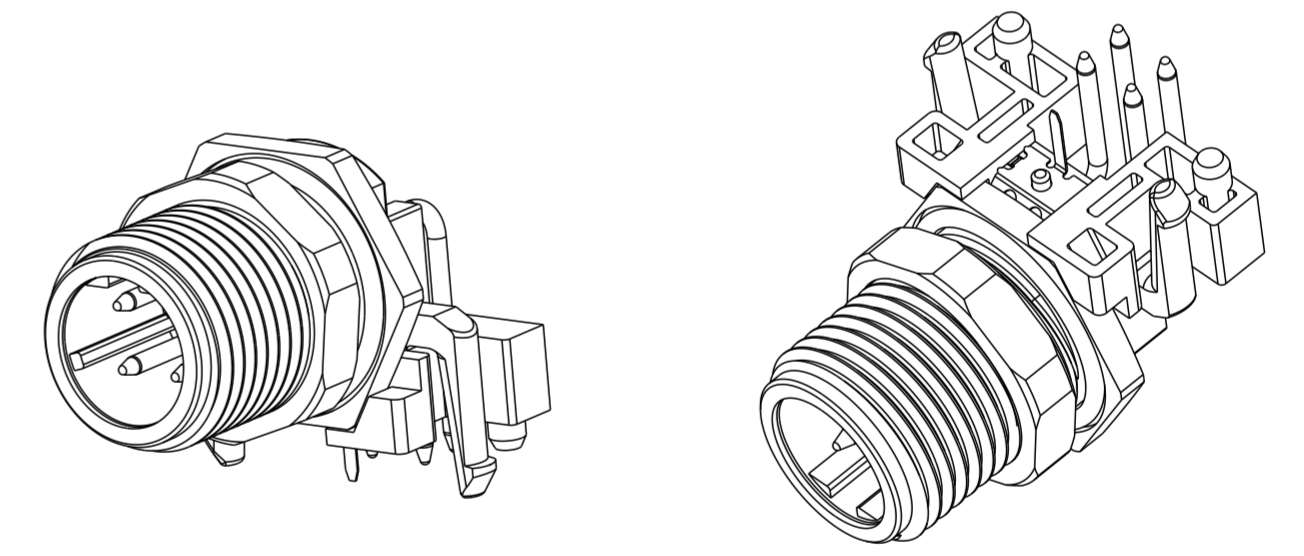


THIS DRAWING IS UNPUBLISHED. RELEASED FOR PUBLICATION 20
 © COPYRIGHT 20 BY - ALL RIGHTS RESERVED.

REVISIONS				
P	LTR	DESCRIPTION	DATE	APVD
A		INITIAL RELEASE	30MAY2016	N.P X.X
A1		ECR-19-006232	18APR2019	B.P C.W
B		ECR-20-013880	30NOV2021	B.P C.W



RECOMMEND PCB LAYOUT
 PCB THICKNESS: 1.6mm



RECOMMENDED PANEL SIZE

NOTES:

1. TECHNICAL DATA: SEE TABLE 1
 2. RECOMMENDED PANEL CUTOUT AND PCB LAYOUT SEE DETAIL .
 3. ALL DIMENSIONS ARE FOR NOMINAL REFERENCE ONLY UNLESS OTHERWISE STATED
- 注意事项
 1. 技术参数: 见表 1 ;
 2. 推荐面板及PCB开孔尺寸如图所示 ;
 3. 所有尺寸仅供参考, 除另外说明。

TECHNICAL DATA	T4144535041-000
RATED VOLTAGE	250V
RATED CURRENT	4A
POLLUTION DEGREE	3
OVERVOLTAGE CATEGORY	II
MATERIAL GROUP	II
DEGREE OF PROTECTION	IP67
OPERATION TEMPERATURE	-40~85°C

COMMENTS	MATERIAL	DESCRIPITON	ITEM
-	BRASS	SHIELDING	6
-	BRASS	NUT	5
-	BRASS	COUPLING NUT	4
	SOLICONE	O-RING	3
BALCK COLOR	PA66	HOUSING	2
GOLD FLASH	BRONZE	CONTACT	1

TYPE	POS.	PART NUMBER
RPC-M12D-MRS-4CON-M12-LPU	4	T4144535041-000

THIS DRAWING IS A CONTROLLED DOCUMENT.		DWN Nick Pan 25MAY2016	TE Connectivity	
DIMENSIONS: mm		CHK Kobby Zhao 25MAY2016		
TOLERANCES UNLESS OTHERWISE SPECIFIED:		APVD Xiang Xu 25MAY2016		
0 PLC ± 1 PLC ±0.25 2 PLC ±0.15 3 PLC ± 4 PLC ± ANGLES ± FINISH -		PRODUCT SPEC 108-106140		
MATERIAL TBD	finish_spec_2	APPLICATION SPEC 114-137144-1	NAME M12 RIGHT ANGLE PCB ASSEMBLY MALE SIDE, SHIELDED, D-CODE	
CUSTOMER DRAWING		WEIGHT -	SIZE A2	CAGE CODE -
SCALE 2:1		DRAWING NO. T41445350X1000		RESTRICTED TO -
SHEET 1 OF 1		REV B		