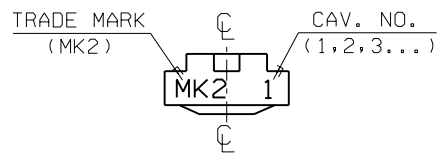
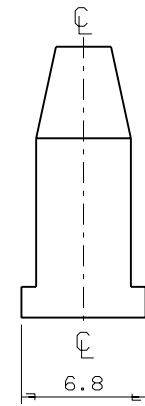
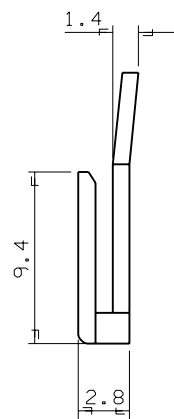
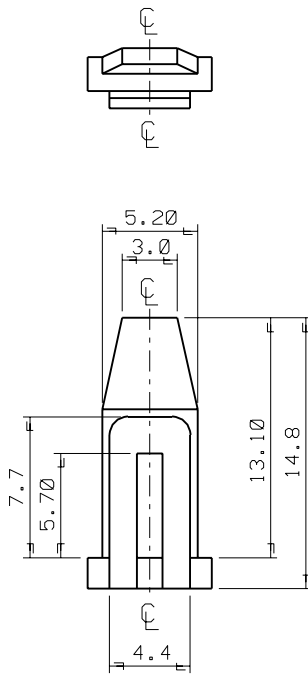
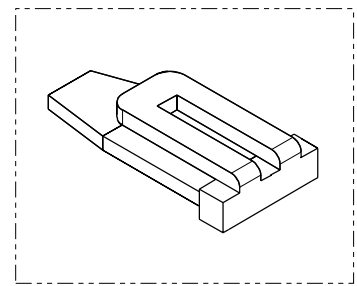


PROJECT NO. .070 MULTI CONN' EDP NO. SIMILAR ITEM ENG. NO SD 35182-019*



- NOTES
- MATERIAL : NYLON 66 (UL94V-2)
 - COLOR : 35182-0190 (NATURAL)
35182-0192 (RED)
35182-0193 (YELLOW)
35182-0194 (BLUE)
 - MATCHED HOUSING : 35181-020*
35181-021*
35181-022*



				MATERIAL SEE NOTES		molex MOLEX-KOREA CO.,LTD.	
				GENERAL TOLERANCE DIMENSION : +0.3 ANGLE : +1°		DRAWN BY J.S.KANG	
				DIMENSION CLASSIFICATION ▽ : CRITICAL ▼ : MAJOR () : REFERENCE		CHK'D BY	
A NEW RELEASED PDR 94-041 95 9.28				LTR REVISION RECORDED ECN DATE		SCALE 4/1	
				ASS'Y PART DESCRIPTION ENG. NO.		TITLE : .070 MULTI FEMALE HOUSING T.P.A-1P	
REVISE ONLY ON CAD SYSTEM				---		SHEET 1 OF 1	
						ENG. NO. SD 35182-019*	
						REV A	