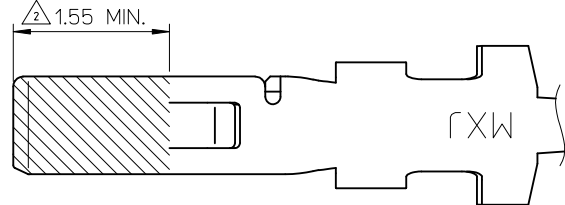
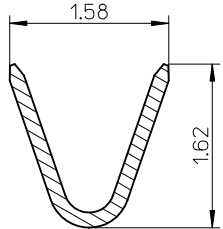
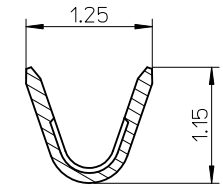
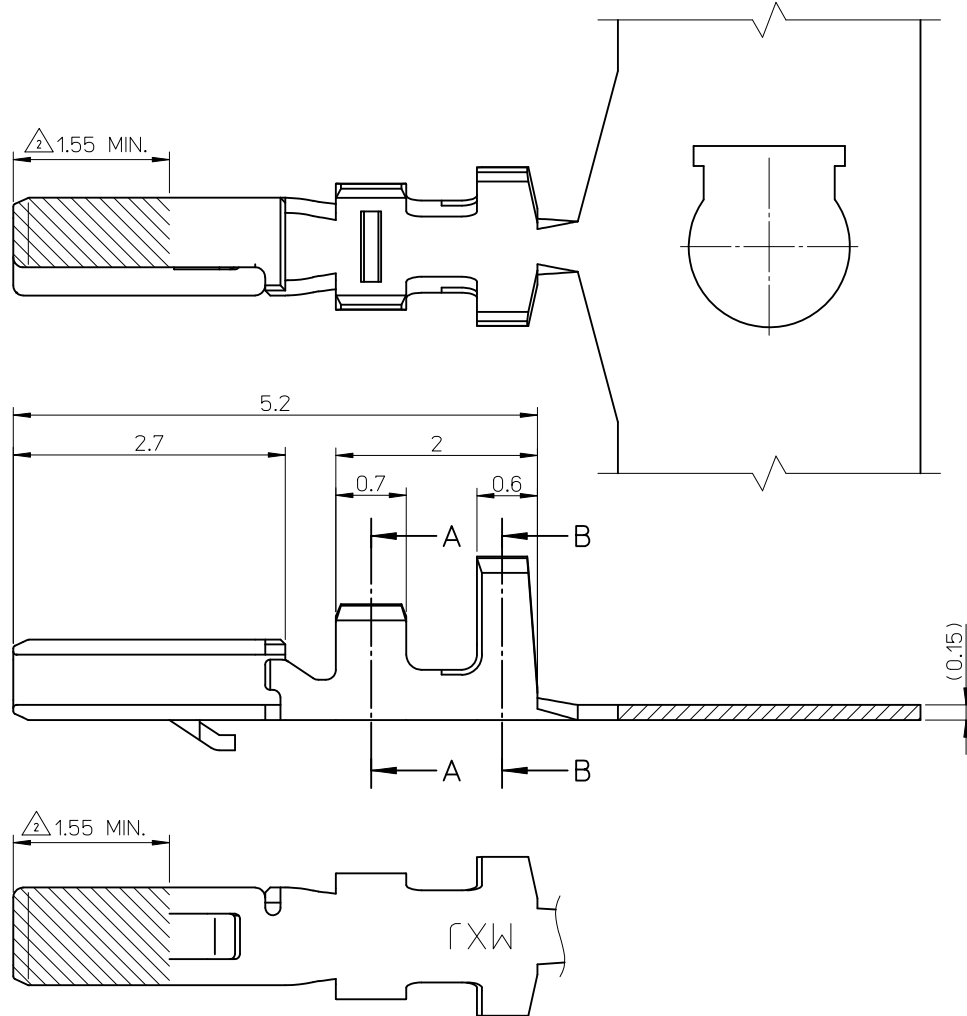
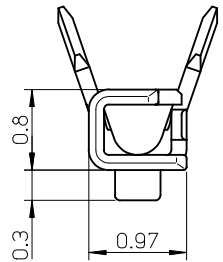


10 9 8 7 6 5 4 3 2 1



NOTES

- 適合ハウジング: 502380-\*\*\*\*  
APPLICABLE HOUSING: 502380-\*\*\*\*
- 図示の斜線部の範囲は、接点部のため、傷、打痕、汚れなどを付けないようにして下さい。  
PLEASE DON'T DAMAGE, DON'T DENT, AND DON'T MAKE IT DIRTY. BECAUSE THE RANGE IN THE SHADED PORTION SHOWN IN FIGURE IS THE CONTACT AREA.

φ0.78-1.07mm	AWG#26-28	502381-0000	連鎖状 CHAIN
絶縁被覆外径範囲 INS. RANGE	適用電線範囲 WIRE RANGE	製品番号 MATERIAL NO.	端子形状 FORM

部品 PART	材質 MATERIAL
ターミナル TERMINAL	銅合金 COPPER ALLOY
	鍍めつき: 0.4 micro-meter MIN. リフロー処理 (前めっき) REFLOW TREATMENT (PRE-PLATED)
	ニッケルめっき (下地): 0.1 micro-meter MIN. リフロー処理 (前めっき) NICKEL (UNDER PLATING) REFLOW TREATMENT (PRE-PLATED)

REVISED EC NO: J2010-2153 DRWN: YGOTO 2010/04/27 CHKDK: ASAKAWA 2010/04/29 APPR: NUKITA 2010/05/12	DESCRIPTION REV	GENERAL TOLERANCES (UNLESS SPECIFIED)	
		10 UNDER	±0.2
		10 OVER 30 UNDER	±0.25
		30 OVER	±0.3
ANGULAR ±3 °		DRAFT WHERE APPLICABLE MUST REMAIN WITHIN DIMENSIONS	

DIMENSION STYLE MM ONLY	
DRAWN BY T. MIYAZAKI	DATE 2006/08/28
CHECKED BY K. ASAKAWA	DATE 2006/08/28
APPROVED BY Y. ITO	DATE 2006/08/28
MATERIAL NO. SEE TABLE	
SIZE A3	

SCALE 20:1	DESIGN UNITS METRIC	THIRD ANGLE PROJECTION
TITLE 1.25 W/B CONN. SINGLE PLUG TERMINAL -LEAD FREE-		
DOCUMENT NO. SD-502381-001		SHEET NO. 1 OF 1
THIS DRAWING CONTAINS INFORMATION THAT IS PROPRIETARY TO MOLEX INCORPORATED AND SHOULD NOT BE USED WITHOUT WRITTEN PERMISSION		