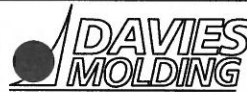


PART NAME: SLIDE KNOB

SCALE: 1:1

DATE: 9/21/17

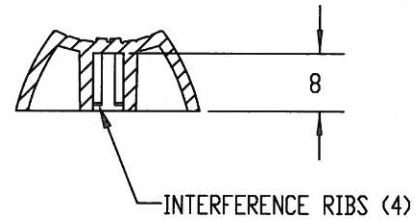
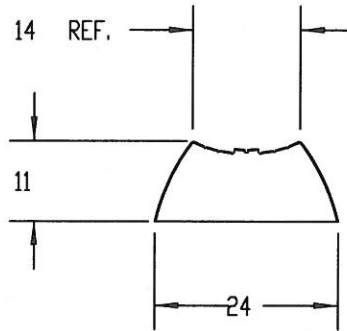
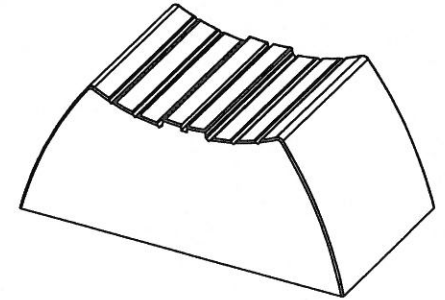
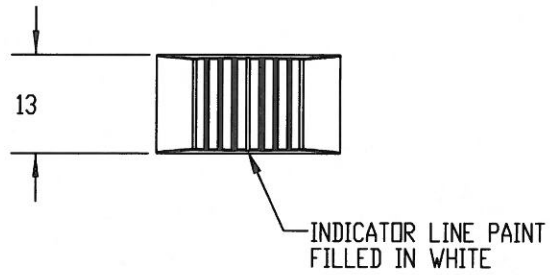
DR. BY: JAM



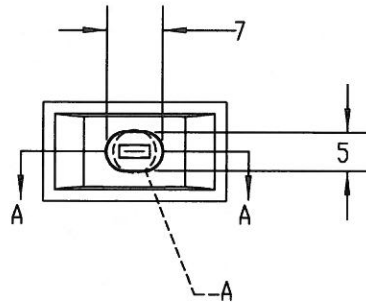
DESIGNERS & MANUFACTURERS
OF KNOBS, HANDLES, CASES &
CUSTOM PLASTIC COMPONENTS

P/N 1300-C

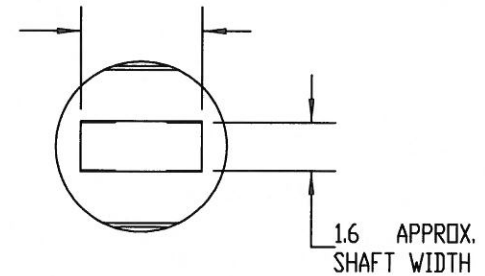
THIS DRAWING IS THE PROPERTY OF DAVIES HOLDING COMPANY, IS SUBMITTED SOLELY AS A DESIGN OR ENGINEERING PROJECT.
WE ACCEPT NO RESPONSIBILITY WHATSOEVER FOR THE PRACTICAL APPLICATION OF THE PIECES MADE TO THIS DESIGN.



SECTION A-A



4 APPROX.
SHAFT LENGTH



DETAIL A
SCALE 4 : 1

MATERIAL: NYLON
COLOR: BLACK