

SACC-CI-M12FSD-4CON-L180 THR - Contact carrier



1414071

<https://www.phoenixcontact.com/us/products/1414071>

Please be informed that the data shown in this PDF document is generated from our online catalog. Please find the complete data in the user documentation. Our general terms of use for downloads are valid.



Contact carrier, 4-position, Socket, straight, M12, coding: D , PCB mounting, THR solder connection, Alternative product in accordance with RoHS II without Exemption 6c (Pb <0.1%)
item no.: 1239062

Your advantages

- Reduced mounting costs thanks to two-piece device connector
- Packaging available for automated pick and place assembly
- All common pin assignments and codings available
- Easy device integration thanks to mechanical port screw connections with threaded attachment, press-in contour or direct integration in the front plate
- Additional gasket for the device when not plugged in

Commercial data

Item number	1414071
Packing unit	1 pc
Minimum order quantity	60 pc
Sales key	AB23
Product key	ABQAGS
GTIN	4055626063898
Weight per piece (including packing)	4.572 g
Weight per piece (excluding packing)	3.6 g
Customs tariff number	85366930
Country of origin	DE

1414071

<https://www.phoenixcontact.com/us/products/1414071>

Technical data

Notes

General	The electrical and mechanical data specified assume that the connector pair is correctly locked and mounted. If the connector is unlocked and if there is a danger of contamination, the connector must be sealed using a protective cap > IP54. Influences arising from litz wires, cables or PCB assembly must also be taken into consideration.
---------	--

Product properties

Product type	Contact insert
Number of positions	4
Application	Signal
Shielded	no
Coding	D
Thread type	M12

Insulation characteristics

Overvoltage category	II
Degree of pollution	3

Electrical properties

Rated surge voltage	2.5 kV
Contact resistance	$\leq 3 \text{ m}\Omega$
Insulation resistance	$\geq 100 \text{ M}\Omega$
Nominal voltage U_N	250 V
Nominal current I_N	4 A

Material specifications

Flammability rating according to UL 94	V0
Seal material	FKM
Contact material	CuZn
Contact surface material	Au
Contact carrier material	PA 6T

Connector

Connection 1

Head design	Socket
Head cable outlet	straight
Head thread type	M12
Coding	D

Mechanical properties

Mechanical data

SACC-CI-M12FSD-4CON-L180 THR - Contact carrier



1414071

<https://www.phoenixcontact.com/us/products/1414071>

Insertion/withdrawal cycles	> 100
-----------------------------	-------

Environmental and real-life conditions

Ambient conditions

Degree of protection	IP67 (correctly plugged in and locked)
	IP67
Ambient temperature (operation)	-25 °C ... 85 °C (Plug / socket)
	-40 °C ... 85 °C (without mechanical actuation)
	-25 °C ... 85 °C (Cable, flexible installation)
	-40 °C ... 85 °C (cable, fixed installation)

Standards and regulations

M12

Standard designation	M12 connector
Standards/specifications	IEC 61076-2-101

Mounting

Mounting type	PCB mounting
Connection method	THR solder connection

Packaging specifications

Type of packaging	Tray
-------------------	------

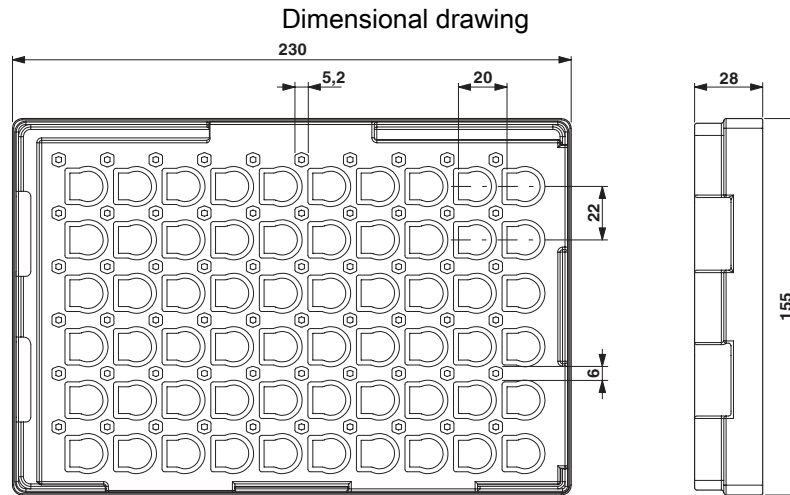
SACC-CI-M12FSD-4CON-L180 THR - Contact carrier



1414071

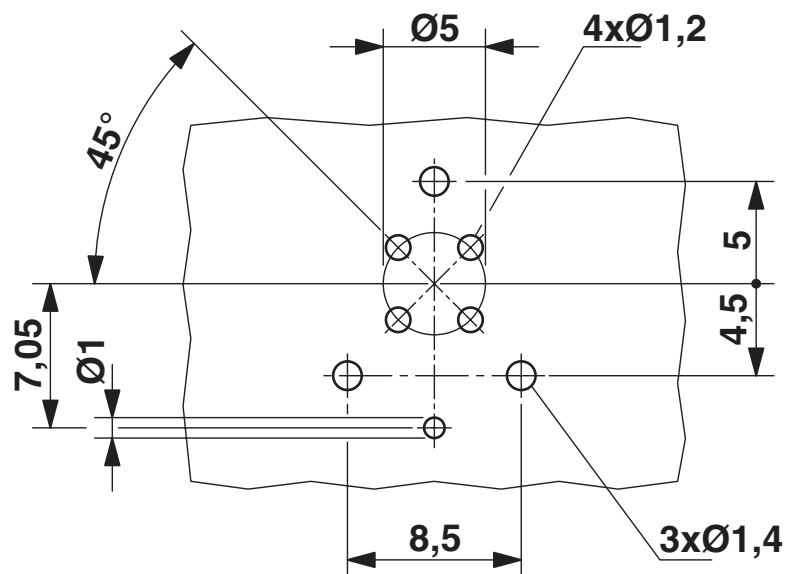
<https://www.phoenixcontact.com/us/products/1414071>

Drawings



THR tray packaging

Drilling plan/solder pad geometry

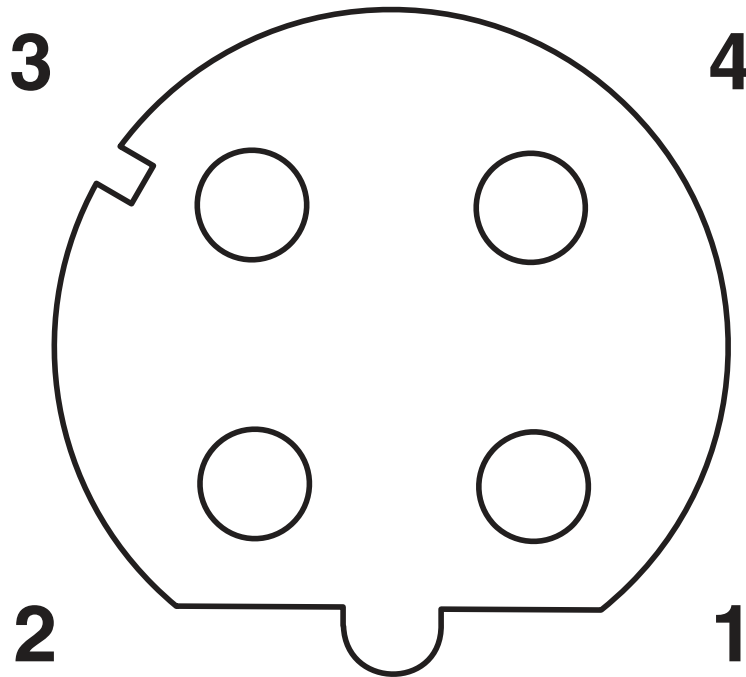


Drilling diagram

1414071

<https://www.phoenixcontact.com/us/products/1414071>

Schematic diagram



Pin assignment M12 socket, 4-pos., D-coded, female side

SACC-CI-M12FSD-4CON-L180 THR - Contact carrier





1414071

<https://www.phoenixcontact.com/us/products/1414071>

Approvals

To download certificates, visit the product detail page: <https://www.phoenixcontact.com/us/products/1414071>

 cUL Recognized Approval ID: E118976-20100522				
	Nominal voltage U_N	Nominal current I_N	Cross section AWG	Cross section mm^2
	250 V	4 A	- 22	-

 UL Recognized Approval ID: E118976-20100522				
	Nominal voltage U_N	Nominal current I_N	Cross section AWG	Cross section mm^2
	250 V	4 A	- 22	-

 EAC Approval ID: B.01687	
---	--

cULus Recognized	
-------------------------	--

SACC-CI-M12FSD-4CON-L180 THR - Contact carrier



1414071

<https://www.phoenixcontact.com/us/products/1414071>

Classifications

ECLASS

ECLASS-11.0	27440102
ECLASS-12.0	27440116
ECLASS-13.0	27460201

ETIM

ETIM 8.0	EC002635
----------	----------

UNSPSC

UNSPSC 21.0	39121400
-------------	----------

1414071

<https://www.phoenixcontact.com/us/products/1414071>

Environmental product compliance

REACH SVHC	Lead 7439-92-1
China RoHS	Environmentally Friendly Use Period = 50 years
	For information on hazardous substances, refer to the manufacturer's declaration available under "Downloads"

1414071

<https://www.phoenixcontact.com/us/products/1414071>

Accessories

PROT-M12 - Screw plug

1680539

<https://www.phoenixcontact.com/us/products/1680539>



An M12 screw plug for the unoccupied M12 sockets of the sensor/actuator cable, boxes and flush-type connectors

PROT-M12 SH - Screw plug

1503302

<https://www.phoenixcontact.com/us/products/1503302>



An M12 screw plug for the unoccupied M12 sockets of the shielded sensor/actuator cable, boxes and flush-type connectors

SACC-CI-M12FSD-4CON-L180 THR - Contact carrier



1414071

<https://www.phoenixcontact.com/us/products/1414071>

PROT-M12 FB - Screw plug

1555538

<https://www.phoenixcontact.com/us/products/1555538>



M12 high-grade steel screw plug, for unoccupied M12 sockets of the sensor/actuator cables, boxes and flush-type connectors for the food industry

SACC-CIM12FSD4PL180THRSAMPLE - Sample set

1413557

<https://www.phoenixcontact.com/us/products/1413557>



Bus system flush-type socket, Ethernet, 4-pos., D-coded, with straight THR solder connection, only contact insert

SACC-CI-M12FSD-4CON-L180 THR - Contact carrier



1414071

<https://www.phoenixcontact.com/us/products/1414071>

SACC-M12-SCO NUT - Housing screw connection

1552243

<https://www.phoenixcontact.com/us/products/1552243>



Housing screw connection, Socket, M12-SPEEDCON, Front mounting, M12 x 1, Alternative product in accordance with RoHS II without Exemption 6c (Pb <0.1%) item no.: 1237399

SACC-DSIV-M12-NUT - Housing screw connection

1416144

<https://www.phoenixcontact.com/us/products/1416144>



Housing screw connection, Plug, M12, Front mounting, Alternative product in accordance with RoHS II without Exemption 6c (Pb <0.1%) item no.: 1239107

SACC-CI-M12FSD-4CON-L180 THR - Contact carrier

1414071

<https://www.phoenixcontact.com/us/products/1414071>



SACC-M12-SCO NUT L 90 - Housing screw connection

1432460

<https://www.phoenixcontact.com/us/products/1432460>



Housing screw connection, Front mounting, M12 x 1, Alternative product in accordance with RoHS II without Exemption 6c (Pb <0.1%) item no.: 1237409

SACC-BP-F-M12/M15-6-THR - Housing screw connection

1414004

<https://www.phoenixcontact.com/us/products/1414004>



Housing screw connection, Socket, M12, Rear mounting, M15 x 1, Alternative product in accordance with RoHS II without Exemption 6c (Pb <0.1%) item no.: 1239056

SACC-CI-M12FSD-4CON-L180 THR - Contact carrier



1414071

<https://www.phoenixcontact.com/us/products/1414071>

SACC-BP-F-M12/M15-7-THR - Housing screw connection

1414003

<https://www.phoenixcontact.com/us/products/1414003>



Housing screw connection, Socket, M12, Rear mounting, M15 x 1, Alternative product in accordance with RoHS II without Exemption 6c (Pb <0.1%) item no.: 1239055

SACC-BP-F-M12/M15-6-THR SCO - Housing screw connection

1414020

<https://www.phoenixcontact.com/us/products/1414020>



Housing screw connection, Socket, M12-SPEEDCON, Rear mounting, M15 x 1, Alternative product in accordance with RoHS II without Exemption 6c (Pb <0.1%) item no.: 1239057

SACC-CI-M12FSD-4CON-L180 THR - Contact carrier



1414071

<https://www.phoenixcontact.com/us/products/1414071>

SACC-BP-F-M12/M15-7-THR SCO - Housing screw connection

1414005

<https://www.phoenixcontact.com/us/products/1414005>



Housing screw connection, Socket, M12-SPEEDCON, Rear mounting, M15 x 1, Alternative product in accordance with RoHS II without Exemption 6c (Pb <0.1%) item no.: 1237398

SACC-BP-F-M12/THR-1,0/1,8-9TIP - Housing screw connection

1419630

<https://www.phoenixcontact.com/us/products/1419630>



M12 threaded sleeve with tolerance-compensating function, for straight, THR solderable M12 socket contact inserts. Suitable for 1.0 mm ... 1.8 mm thick front plates.

SACC-CI-M12FSD-4CON-L180 THR - Contact carrier



1414071

<https://www.phoenixcontact.com/us/products/1414071>

SACC-BP-F-M12/THR-1,7/2,5-9TIP - Housing screw connection

1419631

<https://www.phoenixcontact.com/us/products/1419631>



M12 threaded sleeve with tolerance-compensating function, for straight, THR solderable M12 socket contact inserts. Suitable for 1.7 mm ... 2.5 mm thick front plates.

SACC-BP-F-M12/THR-2,4/3,2-9TIP - Housing screw connection

1419633

<https://www.phoenixcontact.com/us/products/1419633>



M12 threaded sleeve with tolerance-compensating function, for straight, THR solderable M12 socket contact inserts. Suitable for 2.4 mm ... 3.2 mm thick front plates.

SACC-CI-M12FSD-4CON-L180 THR - Contact carrier



1414071

<https://www.phoenixcontact.com/us/products/1414071>

SACC-BP-F-M12/THR-3,1/3,9-9TIP - Housing screw connection

1419634

<https://www.phoenixcontact.com/us/products/1419634>



M12 threaded sleeve with tolerance-compensating function, for straight, THR solderable M12 socket contact inserts. Suitable for 3.1 mm ... 3.9 mm thick front plates.

SACC-M12 NUT PRESS - Housing screw connection

1437889

<https://www.phoenixcontact.com/us/products/1437889>



Housing screw connection, Socket, M12, Front mounting, THR solder connection, Alternative product in accordance with RoHS II without Exemption 6c (Pb <0.1%) item no.: 1237410

SACC-CI-M12FSD-4CON-L180 THR - Contact carrier

1414071

<https://www.phoenixcontact.com/us/products/1414071>



SACC-DSIV-M12-NUT-9 THR - Housing screw connection

1417989

<https://www.phoenixcontact.com/us/products/1417989>



Housing screw connection, Front mounting, Alternative product in accordance with RoHS II without Exemption 6c (Pb <0.1%) item no.: 1239181

SACC-BP-F-M12-THR PP - Housing screw connection

1027662

<https://www.phoenixcontact.com/us/products/1027662>



Housing screw connection, Socket, M12-Push-Pull, Rear mounting, M16, THR- und Wellenlötkontakte, Item is lead-free in accordance with RoHS II without Exemption 6c (Pb <0.1%)

SACC-CI-M12FSD-4CON-L180 THR - Contact carrier



1414071

<https://www.phoenixcontact.com/us/products/1414071>

SACC-FP-F-M12-THR PP - Housing screw connection

1027678

<https://www.phoenixcontact.com/us/products/1027678>



Housing screw connection, Socket, M12-Push-Pull, Front mounting, M14 x 1, THR- und Wellenlötkontakte, Item is lead-free in accordance with RoHS II without Exemption 6c (Pb <0.1%)

Phoenix Contact 2023 © - all rights reserved

<https://www.phoenixcontact.com>

Phoenix Contact USA
586 Fulling Mill Road
Middletown, PA 17057, United States
(+717) 944-1300
info@phoenixcon.com