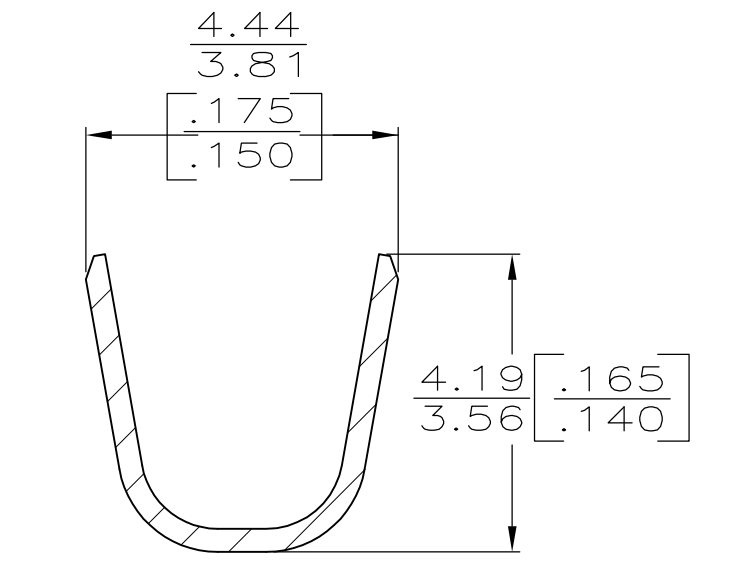
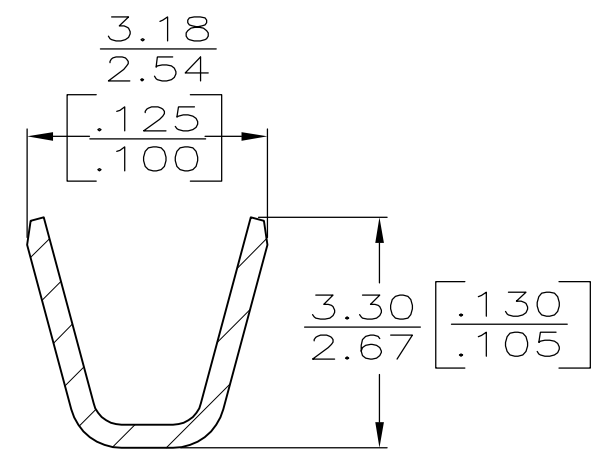
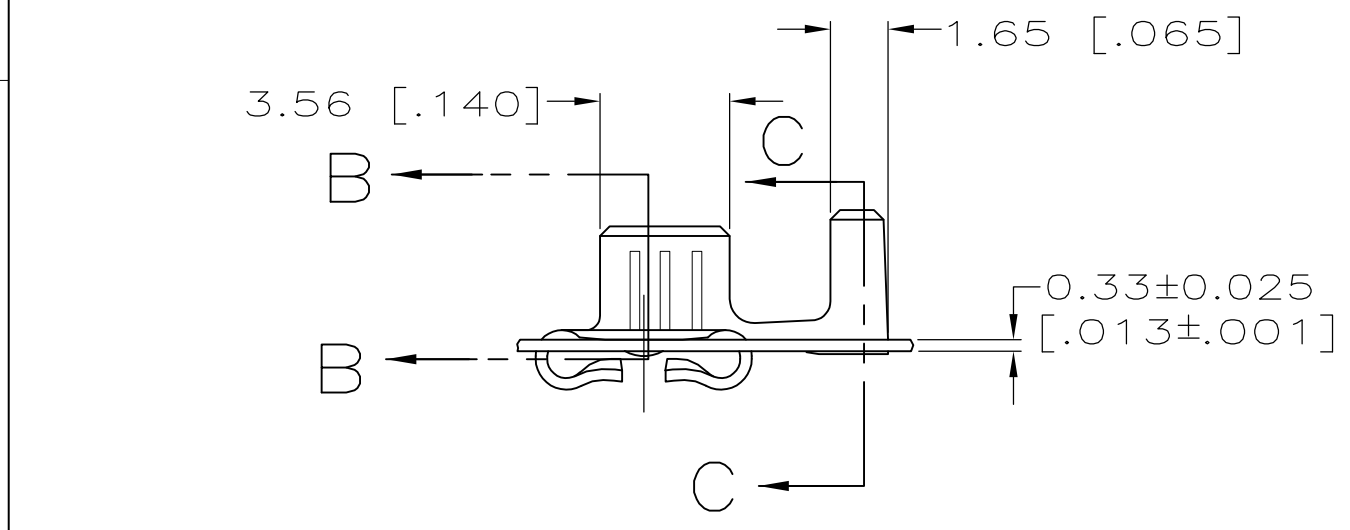
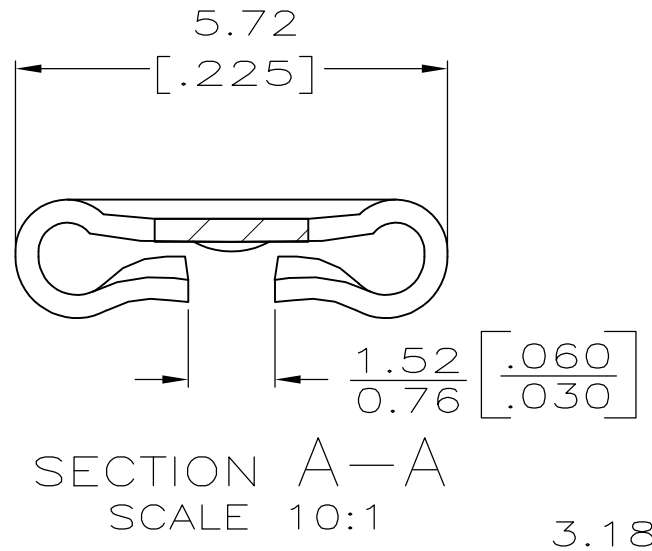
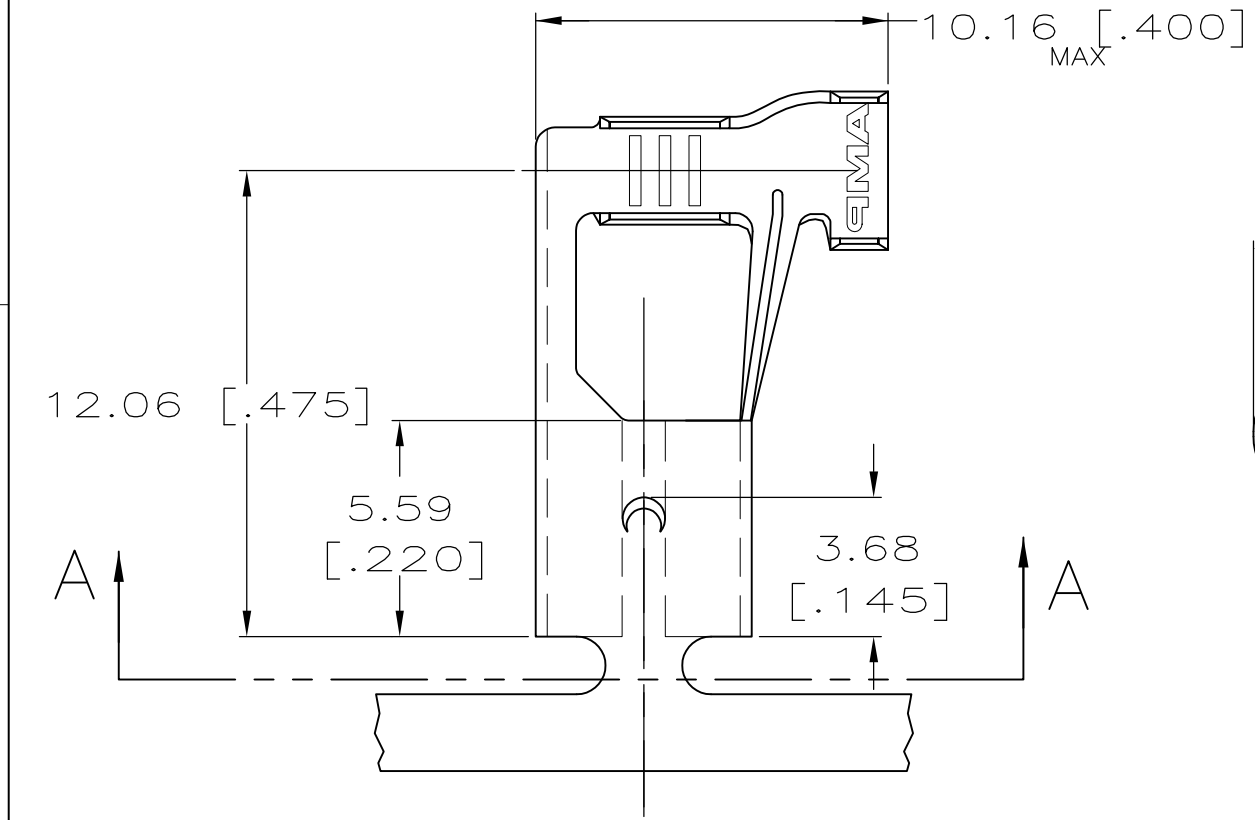


THIS DRAWING IS UNPUBLISHED. RELEASED FOR PUBLICATION
 © COPYRIGHT - By - ALL RIGHTS RESERVED.

LOC	DIST	REVISIONS			
P	LTR	DESCRIPTION	DATE	DWN	APVD
AF	50				
	D	REVISED PER ECR-12-013518	24NOV12	KH	PD



- 1 CONTINUOUS STRIP ON REELS.
- 2 ACCEPTS [#20-#16] AWG.
- 3 INSULATION RANGE 2.28-3.30 [.090-.130] DIA.

F OR O	WIDTH	STRIP LENGTH	TYPE	WIDTH	HEIGHT	WIRE
	3.56 [.140]	4.78 [.188]	F	2.29 [.090]	1.34 [.053]	[#16]
					1.17 [.046]	[#18]
					1.04 [.041]	[#20]
		±0.38 [.015]			±0.051 [.002]	
INSUL BARREL CRIMP		WIRE BARREL CRIMP				

THIS DRAWING IS A CONTROLLED DOCUMENT.		DWN	JR RUTH	5/11/95
DIMENSIONS: mm [INCHES]		CHK	MS FEHER	5/11/95
TOLERANCES UNLESS OTHERWISE SPECIFIED:		APVD	P DESANTIS	5/11/95
0 PLC ± -		PRODUCT SPEC		
1 PLC ± -		APPLICATION SPEC		
2 PLC ± 0.25 [.010]		114-2079		
3 PLC ± -		WEIGHT -		
4 PLC ± -		CUSTOMER DRAWING		
ANGLES ± -		SCALE 5:1		
FINISH SEE TABLE		SHEET 1 OF 1		

TIN	0.81±0.025	63848-2
-	[.032±.001]	63848-1
FINISH	MATING TAB THICKNESS	PART NO

STE TE Connectivity

RECEPTACLE, FASTON, FLAG, 4.75 [.187] SERIES

NAME: P DESANTIS

SIZE: A3 CAGE CODE: 00779 DRAWING NO: C-63848

RESTRICTED TO: -

SCALE: 5:1 SHEET: 1 OF 1 REV: D