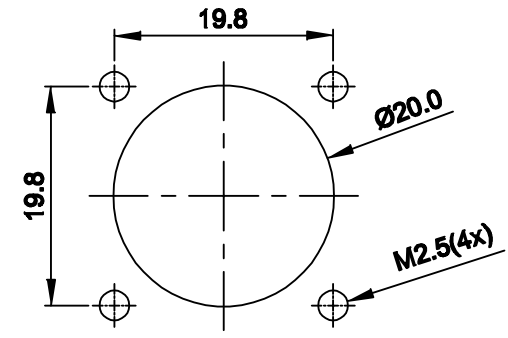
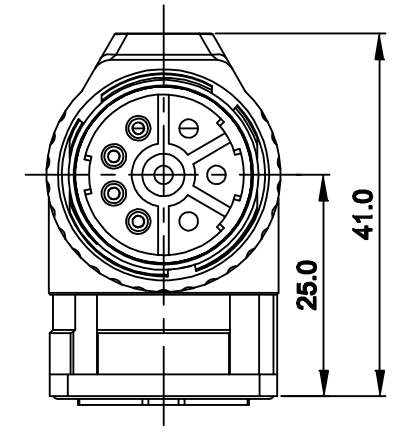
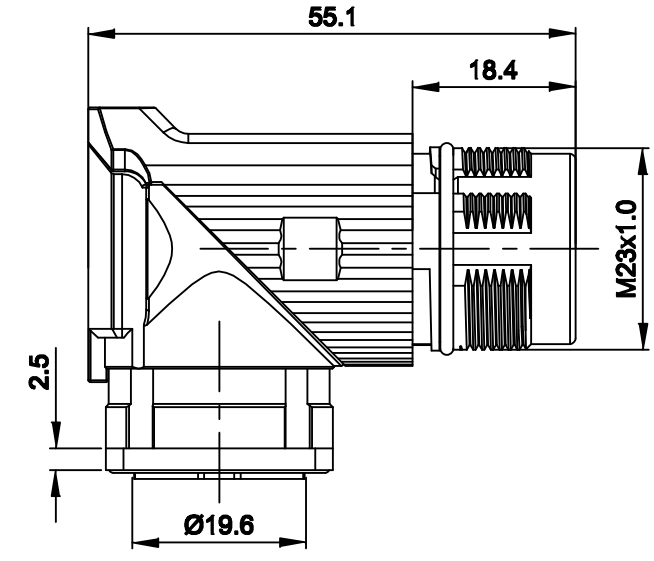
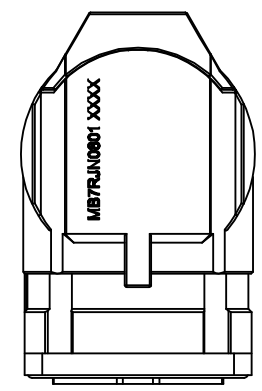
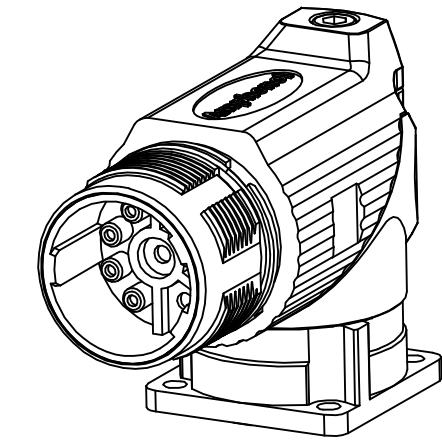
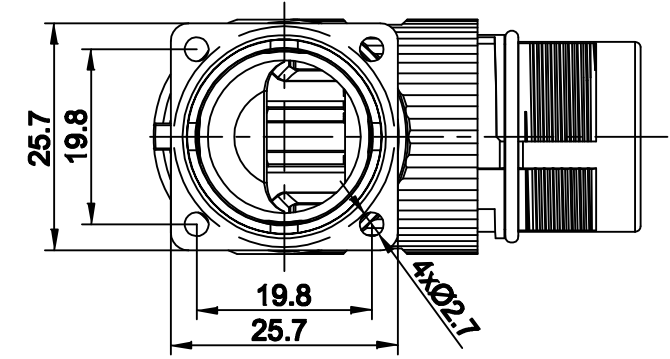


REVISIONS					
REV	ECO	DESCRIPTION	DATE	BY	APPR
A1	-	FIRST RELEASE	Nov.20,2015	Drack	Tommy
A2	-	Updated Drawing	Jun.16,2017	White	Tommy



MOUNTING HOLE



NOTES: UNLESS OTHERWISE SPECIFIED

- MATERIAL:
INSULATION INSERT: PA66,UL94 V0
SEAL: VITON
HOUSING BODY: ZINC DIE CAST, NICKEL PLATED
- SPECIFICATIONS
 - CURRENT RATING: SIGNAL: 10 AMPS
POWER: 30AMPS
 - VOLTAGE RATING: SIGNAL: 250 V AC/DC
POWER: 630V AC/DC
 - OPERATING TEMPERATURE: -20C TO +130C
 - DIELECTRIC WITHSTANDING VOLTAGE: LESS THAN 2 MILLIAMPS CURRENT LEAKAGE @ SIGNAL: 2500VOLTS AC.
POWER: 6000 VOLTS AC.
 - DEGREE OF PROTECTION: IP67 (MATED CONDITION)
 - DEGREE OF POLLUTION: 3 PER UL840
 - OVERVOLTAGE CATEGORY: III PER UL840
 - MATING CYCLE DURABILITY: >500 CYCLES
 - RoHS COMPLIANT
- ALL DIMENSIONS ARE FOR REFERENCE USE ONLY.

QUANTITY	SEE PART NUMBER CHART	DESCRIPTION	ITEM														
MATERIALS LIST																	
UNLESS OTHERWISE SPECIFIED 1) All dimensions are in metric(mm). 2) Tolerances are as follows: 1 PL DEC ±0.30 2 PL DEC ±0.15 3 PL DEC ±0.08 3) Note reference = Δ		<table border="1"> <tr> <th>SIGNATURES</th> <th>DATE</th> </tr> <tr> <td>DRAWN: White</td> <td>Jun.16,2017</td> </tr> <tr> <td>CHECKED: Tod</td> <td>Jun.16,2017</td> </tr> <tr> <td>ENGINEER:</td> <td></td> </tr> <tr> <td>APPROVAL: Tommy</td> <td>Jun.16,2017</td> </tr> <tr> <td>CUSTOMER:</td> <td></td> </tr> </table>	SIGNATURES	DATE	DRAWN: White	Jun.16,2017	CHECKED: Tod	Jun.16,2017	ENGINEER:		APPROVAL: Tommy	Jun.16,2017	CUSTOMER:		<p style="text-align: center;">Amphenol</p> <p style="text-align: center;">Sine Systems - www.amphenol-sine.com 44724 Morley Drive Clinton Township, MI 48036</p>		
SIGNATURES	DATE																
DRAWN: White	Jun.16,2017																
CHECKED: Tod	Jun.16,2017																
ENGINEER:																	
APPROVAL: Tommy	Jun.16,2017																
CUSTOMER:																	
MATERIAL SPECIFICATIONS:		M23B,REC.,RA,8POS,FLANGE MOUNT															
PROCESS SPECIFICATIONS:		THIS DRAWING IS SUPPLIED FOR INFORMATION ONLY. DESIGN FEATURES, SPECIFICATIONS AND PERFORMANCE DATA SHOWN HEREON ARE THE PROPERTY OF THE AMPHENOL CORPORATION. NO RIGHTS OF REPRODUCTION ARE IMPLIED. ALL DIMENSIONS ARE SUBJECT TO NORMAL MANUFACTURING VARIATIONS.															
NEXT ASSY:		<table border="1"> <tr> <th>SIZE</th> <th>TYPE</th> <th>DWG NO:</th> <th>REVISION</th> </tr> <tr> <td>B</td> <td>C-</td> <td>MB7RJN0801</td> <td>A2</td> </tr> </table>	SIZE	TYPE	DWG NO:	REVISION	B	C-	MB7RJN0801	A2	<table border="1"> <tr> <th>SCALE</th> <th>SHEET</th> <th>OF</th> </tr> <tr> <td>NONE</td> <td>1</td> <td>1</td> </tr> </table>	SCALE	SHEET	OF	NONE	1	1
SIZE	TYPE	DWG NO:	REVISION														
B	C-	MB7RJN0801	A2														
SCALE	SHEET	OF															
NONE	1	1															

TITLE: M23B,REC.,RA,8POS(4x) FLANGE MOUNT
DWG NO: MB7RJN0801
REV: A2
SH: 1
OF: 1