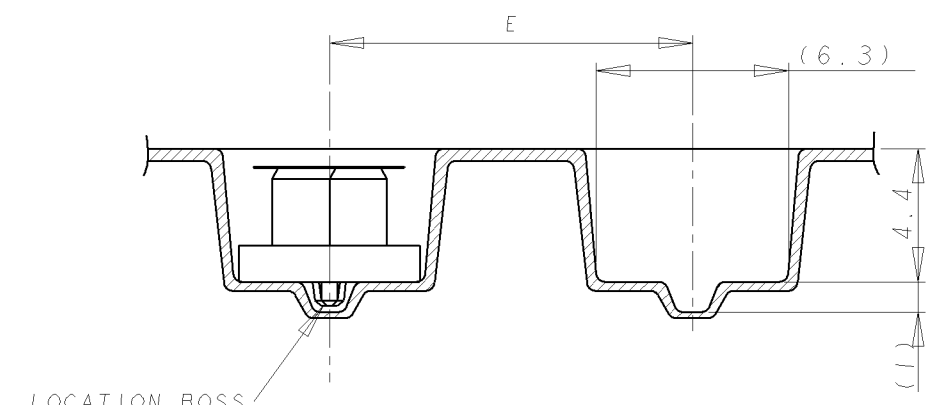
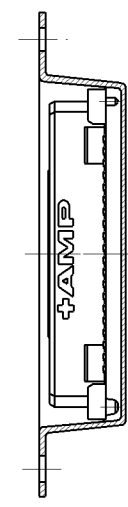
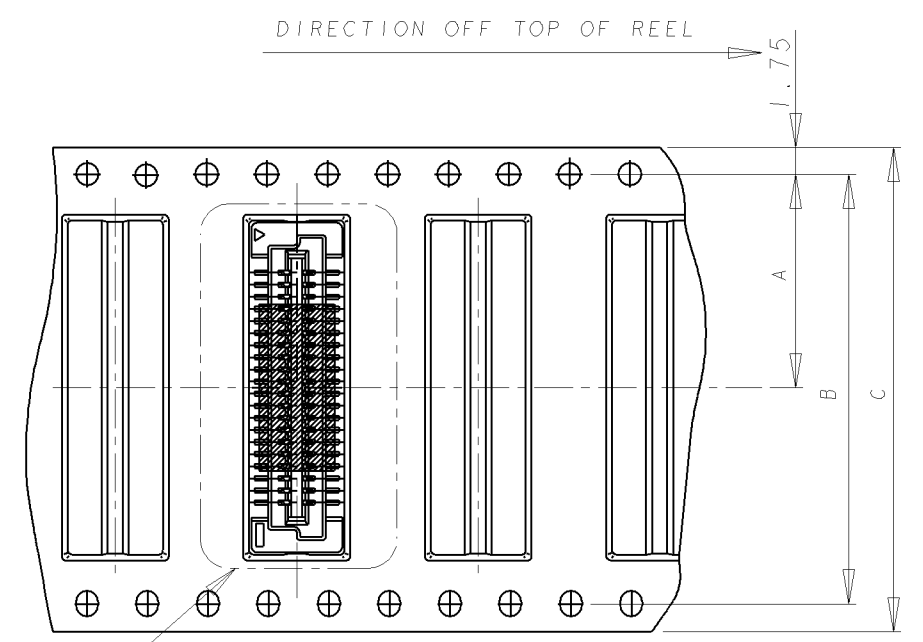


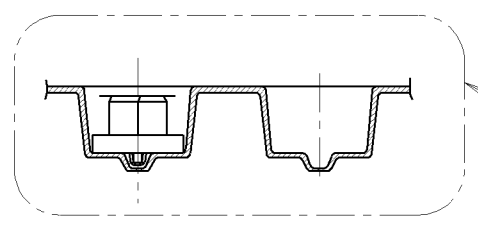
THIS DRAWING IS UNPUBLISHED. RELEASED FOR PUBLICATION .19
 © COPYRIGHT 19 BY AMP INCORPORATED. ALL RIGHTS RESERVED.

LOC		DIST		REVISIONS			
P	LTR	DESCRIPTION		DATE	DWN	APVD	
	A	REVISED PER ECR-08-025833		14OCT2008	SYJ	LSF	

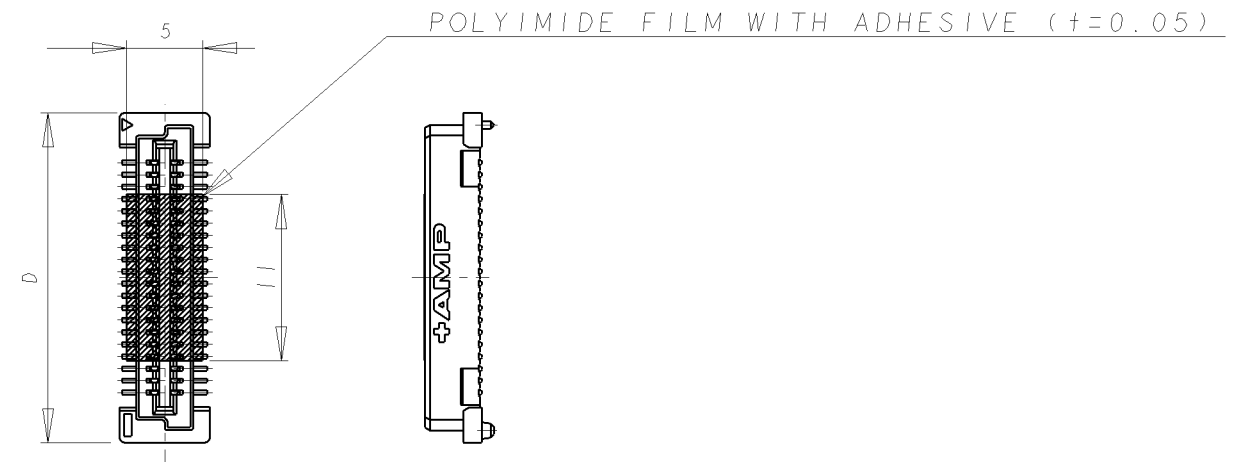


DETAIL A
(SCALE 4-1)

DETAIL B

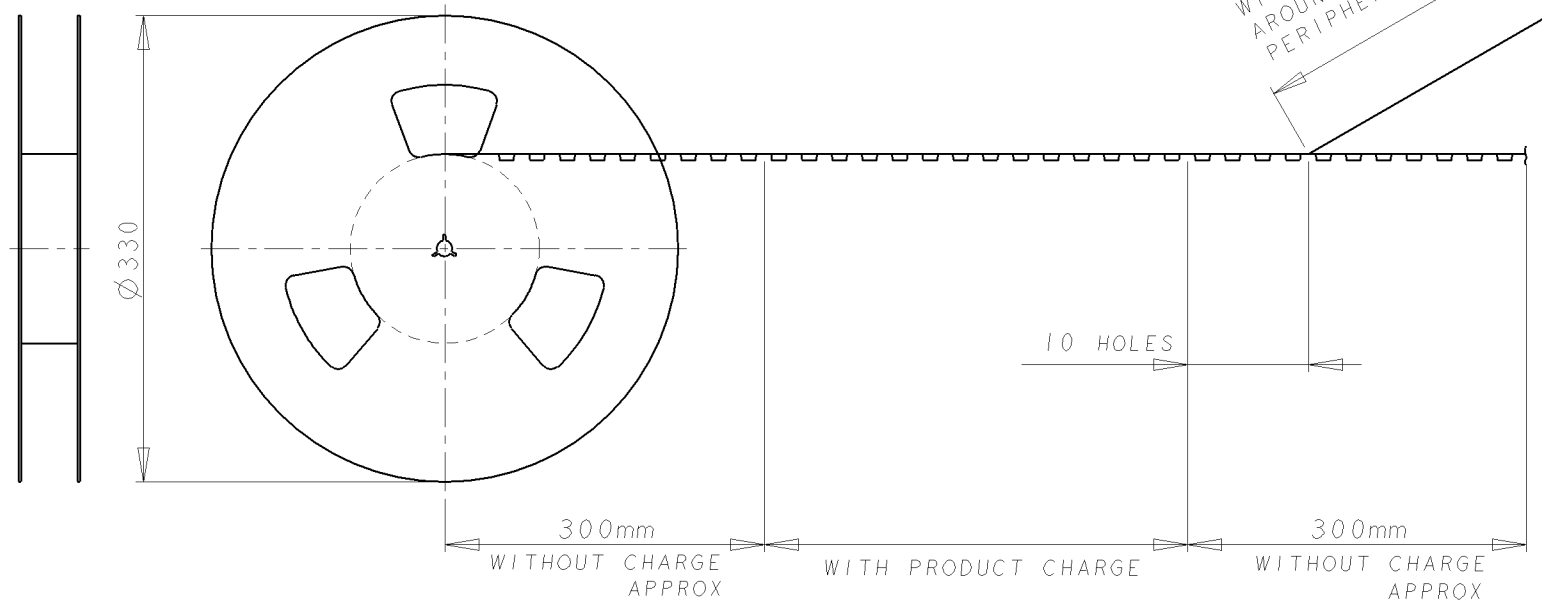


DETAIL A



DETAIL B

WINDING THE COVER TAPE
 AROUND THE OUTER
 PERIPHERY IN A TURN.



NOT AVAILABLE	QTY	E	D	C	B	A	POS	CONN P/N		PART NO.	
								5177983-1	6123763-1	-6	-6
	700	16	45.8	72	68.4	34.2	100				
	700	16	53.8	72	68.4	34.2	120				
	700	16	61.8	72	68.4	34.2	140				
AVAILABLE	1000	12	21.8	32	28.4	14.2	40	5177983-1	6123763-1		

THIS DRAWING IS A CONTROLLED DOCUMENT FOR AMP INCORPORATED. IT IS SUBJECT TO CHANGE AND THE CONTROLLING ENGINEERING ORGANIZATION SHOULD BE CONTACTED FOR THE LATEST REVISION.

DWN WYLEE 2NOV04
 CHK VINCENT TAN
 APVD ERIC ING
 PRODUCT SPEC 108-5390
 APPLICATION SPEC 114-5254
 WEIGHT -

Tyco Electronics Singapore Pte. Ltd.

NAME RECEPTACLE ASSEMBLY 5H TYPE WITH POLYIMIDE FILM (0.5 BOSS LENGTH) FOR FH 0.8 B-T-B CONN, ON TAPING

SIZE A3 CAGE CODE 00779 DRAWING NO ©-6123763

CUSTOMER DRAWING SCALE 4:1 SHEET 1 OF 1 REV A