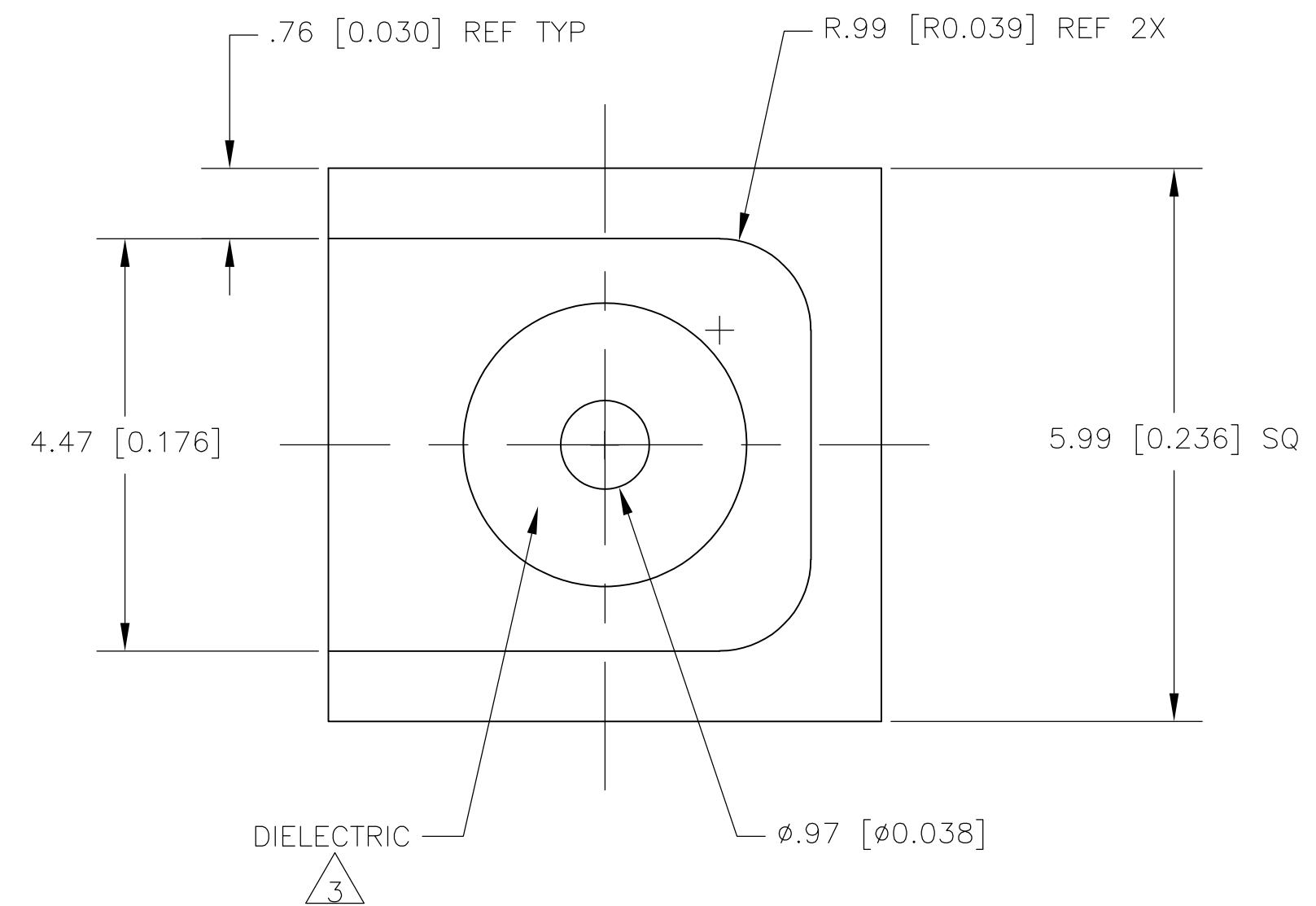
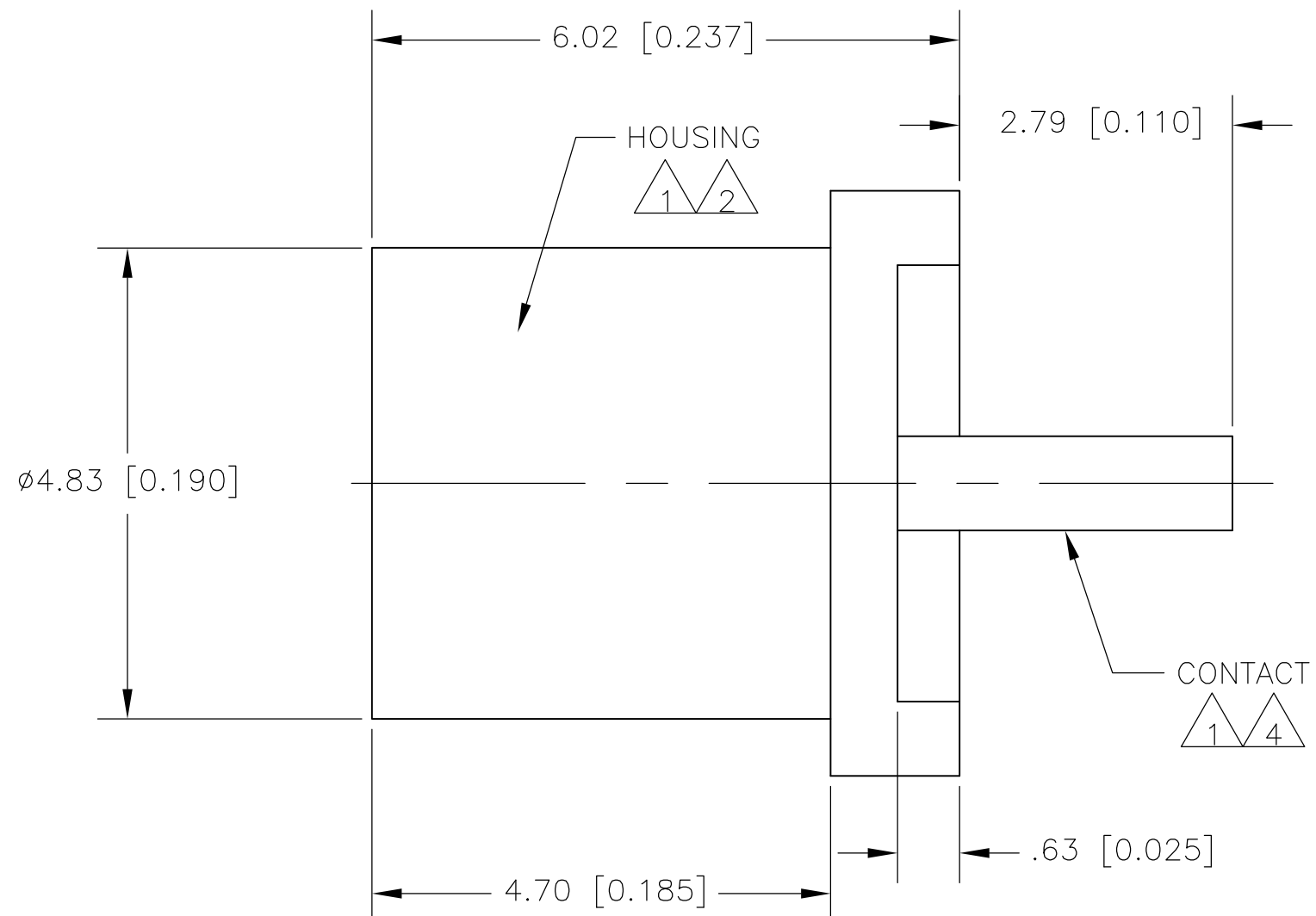


THIS DRAWING IS UNPUBLISHED. RELEASED FOR PUBLICATION
 © COPYRIGHT - By - ALL RIGHTS RESERVED.

LOC		DIST		REVISIONS			
P	LTR	DESCRIPTION	DATE	DWN	APVD		
AJ	16	A1	ECR-12-005726	27MAR12	RK	MY	



- 1 GOLD PLATE PER ASTM-B-488
- 2 BRASS PER ASTM-B-16
- 3 PTFE PER ASTM-D-1710
- 4 BERYLLIUM COPPER PER ASTM-B-197

5. PCB LAYOUT TO BE DETERMINED BY CUSTOMER.

1274659-1
 PART NUMBER

THIS DRAWING IS A CONTROLLED DOCUMENT.		DWN	K. WEIDNER	12/10/04	TE Connectivity								
DIMENSIONS: MM [INCHES]		CHK	K. WEIDNER	2/11/05									
TOLERANCES UNLESS OTHERWISE SPECIFIED:		APVD	K. WEIDNER	2/11/05									
0 PLC ± - 1 PLC ± - 2 PLC ± 0.13[.005] 3 PLC ± - 4 PLC ± - ANGLES ± 2°		NAME		MCX PCB JACK									
MATERIAL		FINISH		WEIGHT	-	SIZE	A2	CAGE CODE	00779	DRAWING NO	C=1274659	RESTRICTED TO	-
-		-		CUSTOMER DRAWING		SCALE	15:1	SHEET	1 of 1	REV	A1		

1274659