

# Vertical RJ45 1000 Base-T Single Port, w/ LEDs, Extended Temperature

**ARJ-148**

**RoHS/RoHS II Compliant**



23.2 x 15.9 x 16.9 mm

## FEATURES:

- Compliant with IEEE802.3 standard
- Designed for Network Interface Cards(NIC), LAN-on-Motherboard(LOM) and PC applications Ethernet Switch, Servers, & Access Point Routers
- High performance for maximum EMI suppression
- 350μH minimum OCL with 8mA bias current
- RoHS peak wave solder temperature 260°C

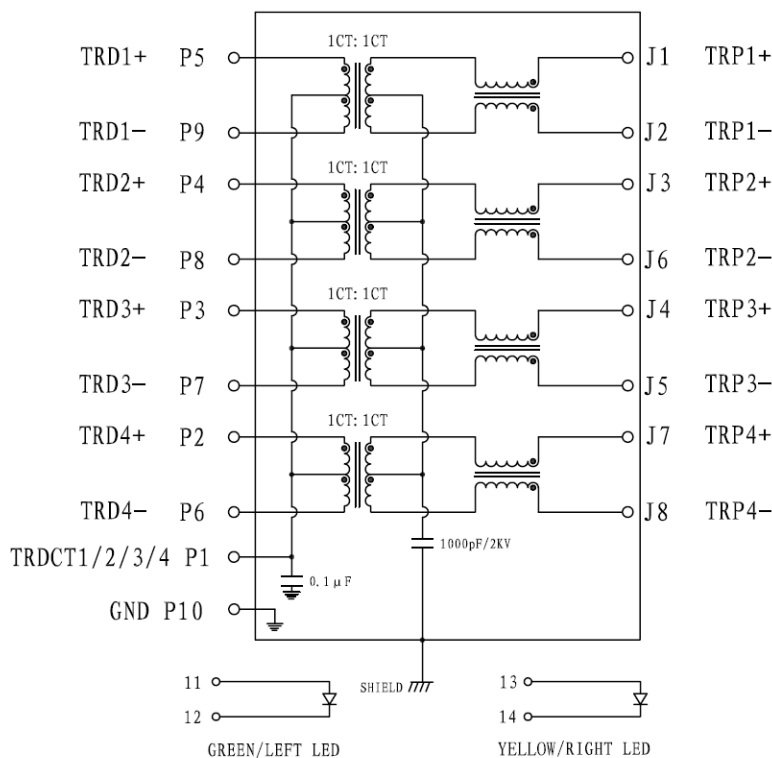
## APPLICATIONS:

- Support 1000 Base-T applications w/ Bi-Color LEDs
- Vertical Mount with wide temperature range(-40°C~85°C)
- Applicable for Ethernet Switch, Servers, & Access Point Routers
- Provides signal conditioning, EMI suppression and signal isolation

## STANDARD SPECIFICATIONS

Parameters	Minimum	Typical	Maximum	Units	Notes
Operating Temperature	-40		+85	°C	
Storage Temperature	-40		+85	°C	
Turn Ratio (± 3%)	1CT:1CT				Tx
	1CT:1CT				Rx
Inductance (OCL)	350			μH	100KHz/0.1V@8mA
Insertion Loss			-1.0	dB	1-100MHz
Return Loss	-18			dB	1-10MHz
	-16				10-30MHz
	-14				30-60MHz
	-12				60-80MHz
	-10				80-100MHz
Cross Talk	-35			dB	1-100MHz
CMR	-35			dB	1-100MHz
Hi-Pot	1500Vrms/1mA/1Sec				Pri to Sec

## SCHEMATICS



# Vertical RJ45 1000 Base-T Single Port, w/ LEDs, Extended Temperature

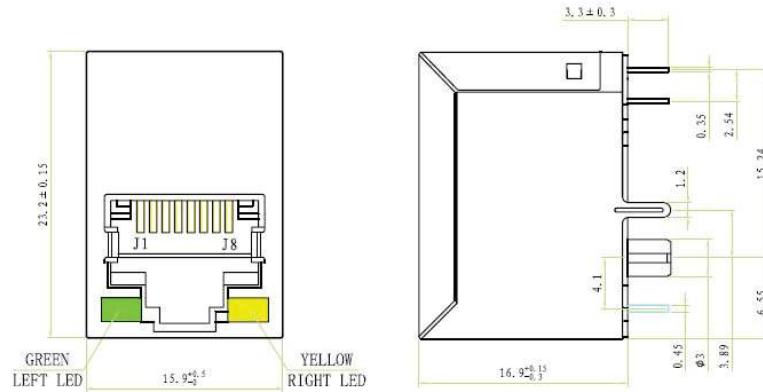
**ARJ-148**

**RoHS/RoHS II Compliant**

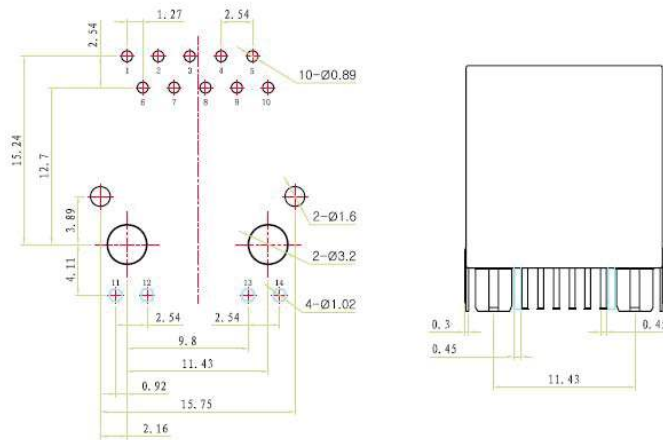


23.2 x 15.9 x 16.9 mm

## MECHANICAL DIMENSIONS

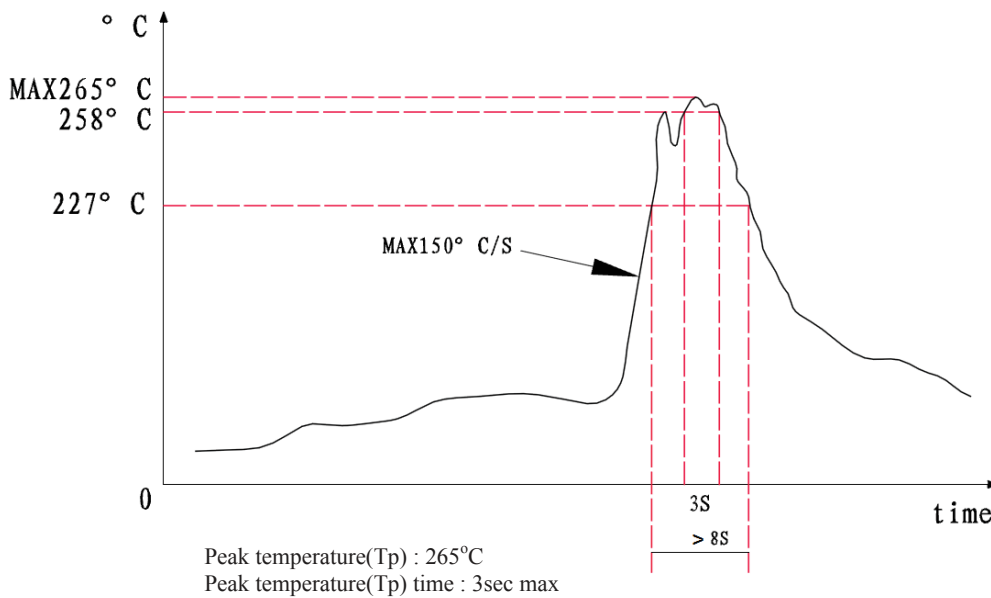


### Recommended Land Pattern



Dimensions: mm

## DIP WAVE SOLDERING PROFILE



# Vertical RJ45 1000 Base-T Single Port, w/ LEDs, Extended Temperature

**ARJ-148**

**RoHS/RoHS II Compliant**

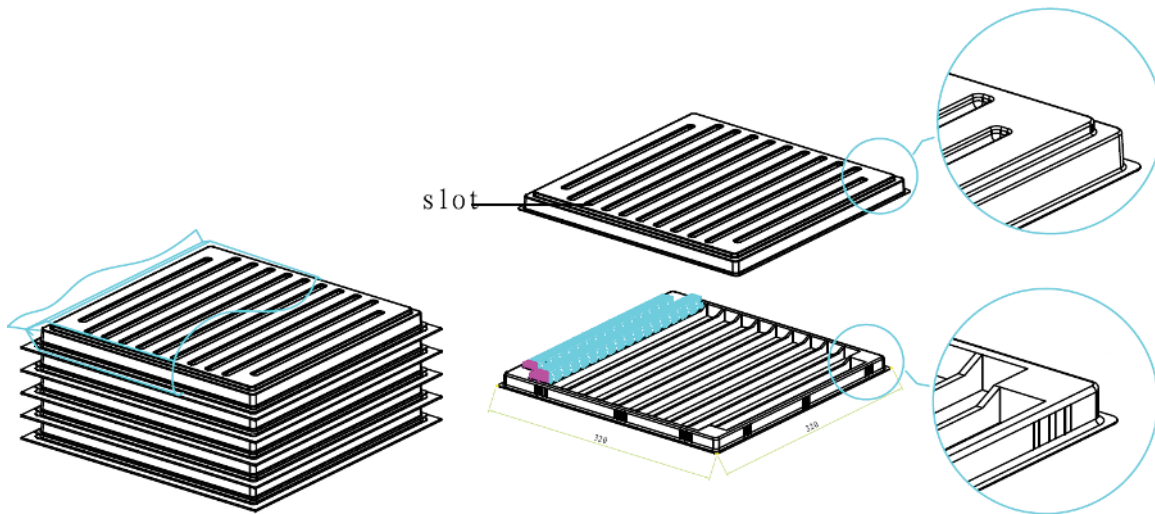
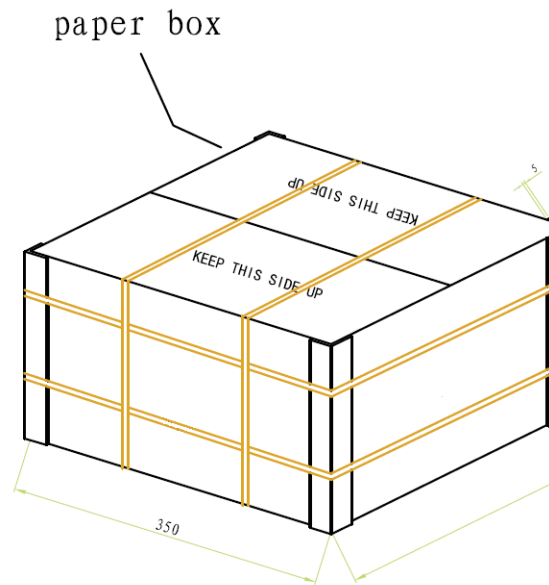


23.2 x 15.9 x 16.9 mm

## PACKAGING:

**Packing:** 150 pcs/tray  
**Weight:** 7.19 grams/pcs

Inner Package: L=320mm; W=320mm; H=20mm;  
There are 7 long slot grids and 2 short long grids on the tray.  
There are 17pcs products in long slots and 15PCS in short slot and 16pcs in other short slot  
Every tray are wrapped by po package.  
Material: PC Plastic.



**Dimensions: mm**

**ATTENTION:** Abracon LLC's products are COTS – Commercial-Off-The-Shelf products; suitable for Commercial, Industrial and, where designated, Automotive Applications. Abracon's products are not specifically designed for Military, Aviation, Aerospace, Life-dependent Medical applications or any application requiring high reliability where component failure could result in loss of life and/or property. For applications requiring high reliability and/or presenting an extreme operating environment, written consent and authorization from Abracon LLC is required. Please contact Abracon LLC for more information.