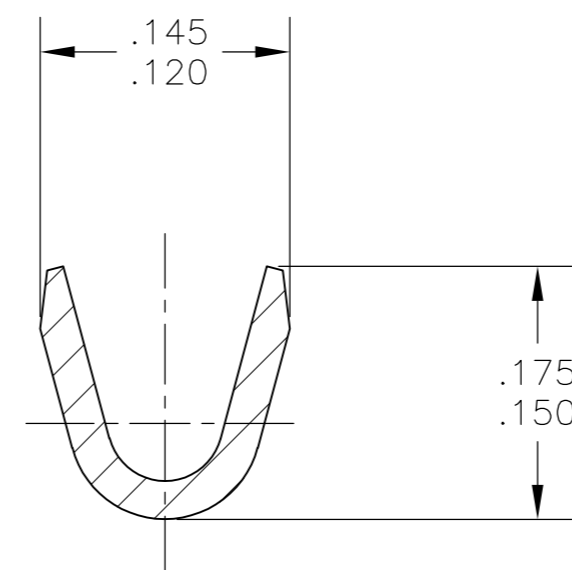
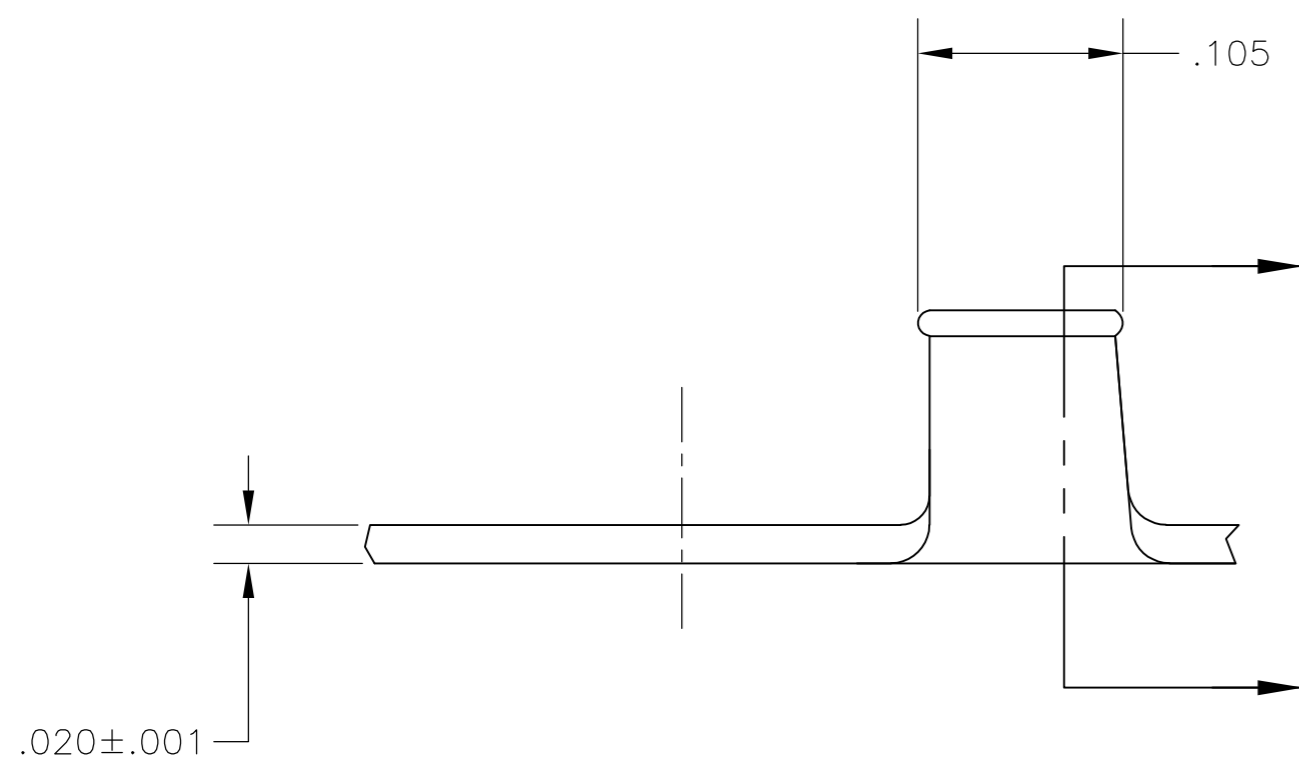
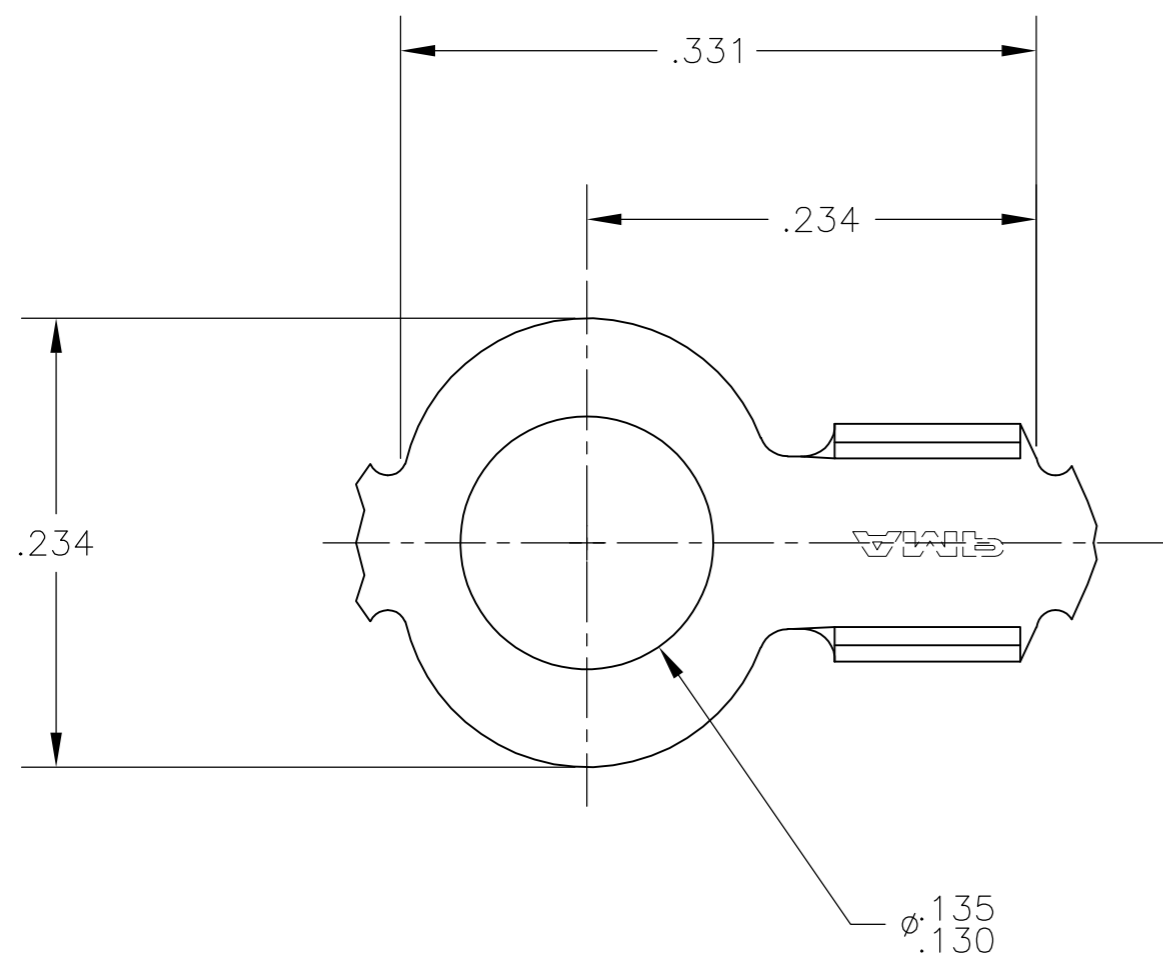


THIS DRAWING IS UNPUBLISHED. RELEASED FOR PUBLICATION
 © COPYRIGHT BY TYCO ELECTRONICS CORPORATION. ALL RIGHTS RESERVED.

LOC		DIST		REVISIONS			
P	LTR	DESCRIPTION		DATE	DWN	APVD	
AF	50	H		REVISED PER ECR-10-006099	07JUL10	HMR PD	

1. CONTINUOUS STRIP ON REELS.
2. WIRE RANGE: #18-#14 AWG.



	60250-2
OBSOLETE	60250-1
	PART NUMBER

THIS DRAWING IS A CONTROLLED DOCUMENT.		DWN 17JUN2003 MICHAEL S. FEHER	Tyco Electronics Corporation Harrisburg, PA 17105-3608																								
DIMENSIONS: INCHES		CHK 17JUN2003 DONALD F. DECKER	NAME																								
TOLERANCES UNLESS OTHERWISE SPECIFIED:		APVD 17JUN2003 DONALD F. DECKER	PRODUCT SPEC																								
<table border="1"> <tr><td>0</td><td>PLC</td><td>±</td><td>-</td></tr> <tr><td>1</td><td>PLC</td><td>±</td><td>-</td></tr> <tr><td>2</td><td>PLC</td><td>±</td><td>-</td></tr> <tr><td>3</td><td>PLC</td><td>±</td><td>.010</td></tr> <tr><td>4</td><td>PLC</td><td>±</td><td>-</td></tr> <tr><td colspan="2">ANGLES</td><td>±</td><td>-</td></tr> </table>		0	PLC	±	-	1	PLC	±	-	2	PLC	±	-	3	PLC	±	.010	4	PLC	±	-	ANGLES		±	-	APPLICATION SPEC	
0	PLC	±	-																								
1	PLC	±	-																								
2	PLC	±	-																								
3	PLC	±	.010																								
4	PLC	±	-																								
ANGLES		±	-																								
MATERIAL	FINISH	WEIGHT	SIZE	CAGE CODE																							
082 BRASS	TIN	-	A2	00779																							
CUSTOMER DRAWING		SCALE	DRAWING NO	RESTRICTED TO																							
		10:1	C=60250	-																							
		SHEET	OF	REV																							
		1	1	H																							