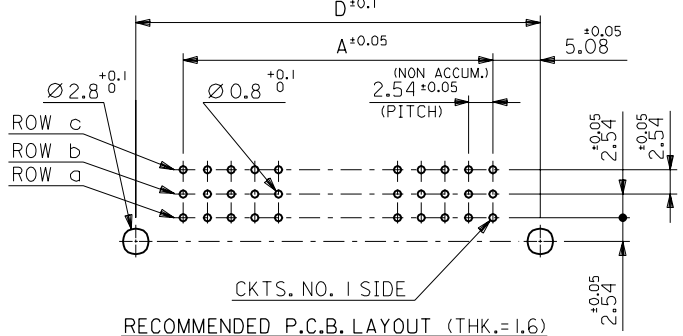
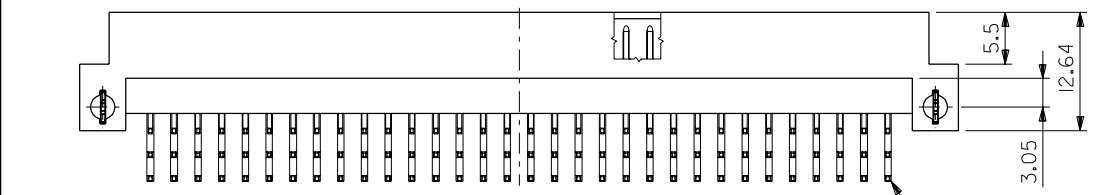
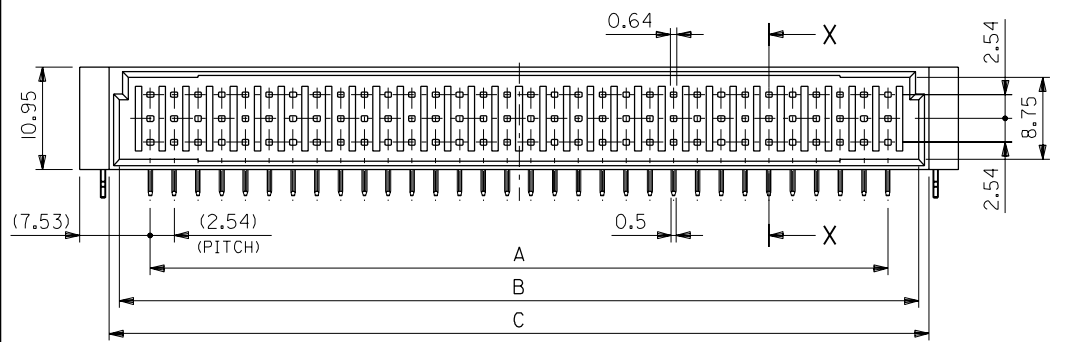
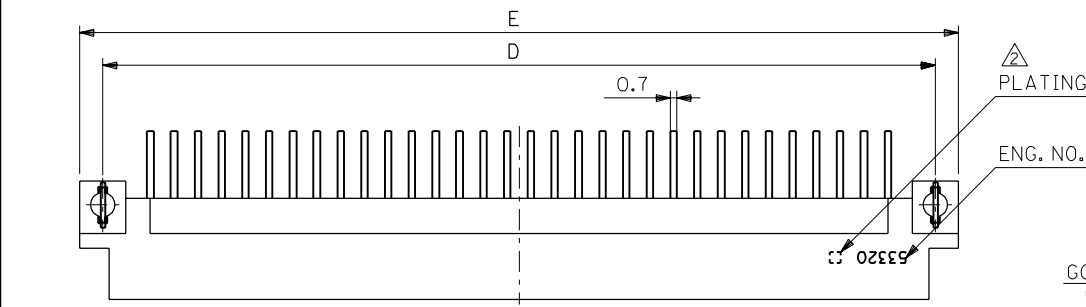


DIMENSIONS IN METRIC DO NOT SCALE DRAWING

EDP NO.

ENG. NO. SD-53320-****



RECOMMENDED P.C.B. LAYOUT (THK.=1.6)
(VIEW ON COMPONENT SIDE)

角度 ANGLE	±3°
30以上 OVER	+0.3
10以上 30未滿 UNDER	+0.25
10未滿 UNDER	+0.2
一般公差 GENERAL TOLERANCES	

材料 MATERIAL	SEE NOTES
仕上げ FINISH	SEE NOTES
適用電線範囲 WIRE RANGE	—H—
被覆外径 INS. RANGE	—H—
記号 LTR	変更内容 REVISION RECORD
DR. CHK.	DATE

93.8	88.9	87.5	85.3	78.74	53320-096*	96
53.16	48.26	46.86	44.66	38.1	53320-048*	48
E	D	C	B	A	ENG. NO.	NO. OF CKTS.

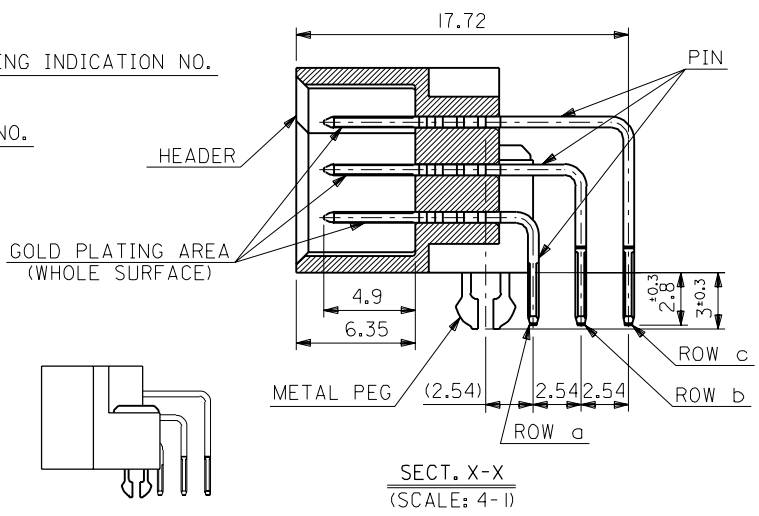
材料 MATERIAL	SEE NOTES	molex MOLEX-JAPAN CO.,LTD. 日本モレックス株式会社
仕上げ FINISH	SEE NOTES	
適用電線範囲 WIRE RANGE	—H—	EDP. NO.
被覆外径 INS. RANGE	—H—	ENG. NO.
DRAWN BY '90/8/27 S.MOCHIZUKI	CHK'D BY '91/2/21 Y.YAMADA	SD-53320-****
APP'D BY '91/2/22 M.ENOMOTO	尺 度 SCALE 2 - 1	REV A

NOTES: 1. MATERIAL
HEADER: GLASS FILLED P.B.T. (WHITE), UL94V-0
PIN: BRASS (t=0.58)
METAL PEG: PHOSPHOR BRONZE (t=0.48),
TIN-LEAD OVER COPPER PLATING

△ PLATING & PLATING INDICATION NUMBER

53320-***3	0.76	I.O	I.O	3
53320-***2	0.5			2
53320-***1	0.3			1
53320-***0	0.1			0
ENG. NO.	CONTACT AREA GOLD [µmMIN.]	SOLDER AREA TIN-LEAD [µmMIN.]	UNDER PLATE NICKEL [µmMIN.]	PLATING INDICATION NUMBER

3. MATE WITH : 52302, 52386, 52480, 52483 SERIES.



SECT. X-X
(SCALE: 4-1)

注記
NOTES

1. 材質
MATERIAL

ヘッダーガラス入り PBTP(白色), UL94V-0
HEADER : GLASS FILLED PBTP (WHITE), UL94V-0

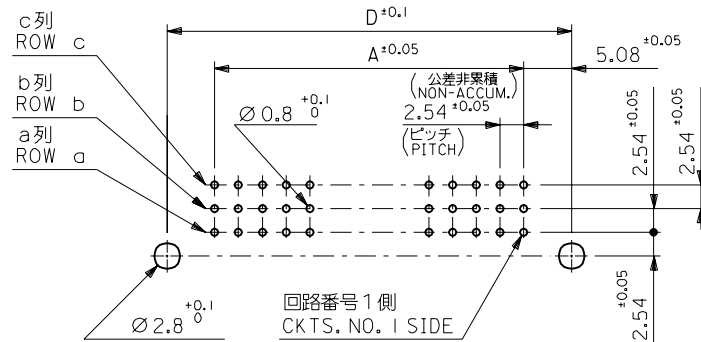
ピン : 黄銅 (t=0.58)
PIN : BRASS (t=0.58)

金属ペグ : リン青銅、銅下地半田メッキ (t=0.48)
METAL PEG : PHOSPHOR BRONZE (t=0.48), TIN-LEAD OVER COPPER PLATING

△ メッキ仕様及び仕様番号
PLATING AND PLATING INDICATION NUMBER

53320-***3	0.76	I.O	I.O	3
53320-***2	0.5			2
53320-***1	0.3			1
53320-***0	0.1			0
ENG. NO.	接点部 金メッキ [μm以上] CONTACT AREA GOLD PLATING [μmMIN.]	半田付け部 半田メッキ [μm以上] SOLDER AREA TIN-LEAD PLATING [μmMIN.]	下地 ニッケルメッキ [μm以上] UNDER PLATE NICKEL PLATING [μmMIN.]	メッキ仕様番号 PLATING INDICATION NO.

3. 嵌合相手: 52302, 52386, 52480, 52483 シリーズ
MATES WITH : 52302, 52386, 52480, 52483 SERIES



基板穴推奨寸法
RECOMMENDED P. C. BOARD LAYOUT
(部品実装側) (t=1.6)
(VIEW ON COMPONENT SIDE)

DIMENSIONS IN METRIC DO NOT SCALE DRAWING

				材料 MATERIAL	注記参照 SEE NOTES	MOLEX-JAPAN CO.,LTD. 日本モレックス株式会社	
				仕上げ FINISH	注記参照 SEE NOTES	REVISE ONLY ON CAD SYSTEM	
				適用電線範囲 WIRE RANGE	—H—	TITLE 名称 2.54 B TO B CONN. RIGHT ANGLE HEADER ASS'Y WITH METAL PEG (TRIPLE ROW)	
				被覆外径 INS. RANGE	—H—	DWG. NO. SHEET 2 OF 2 REV SD-53320-***** B	
				DRAWN BY '90/8/27 S.MOCHIZUKI	CHK'D BY '92/7/30 H.HIRAMOTO	SCALE 2 - 1	
				APP'D BY '92/7/30 M.FUKUSHIMA	DATE		
角度 ANGLE	+3°			記号 LTR	変更内容 REVISION RECORD	DR. CHK.	日付 DATE
30以上 OVER	+0.3	B	変更 REVISED (J20670)	M.F.		H.H.	'92/7/30
10以上 30未満 OVER UNDER	+0.25	A	変更 REVISED (J10138)	H.H.		H.H.	'91/2/20
10未満 UNDER	+0.2	O	新規作成 RELEASED (J00922)	S.M.		H.H.	'90/8/27
一般公差 GENERAL TOLERANCES				記号 LTR	変更内容 REVISION RECORD	DR. CHK.	日付 DATE