

TABLE 1

MOLEX P/N	ENG. NO.	LED
1202510085	BKB6030-FBB	NO
1202510086	BKB603P-FBB	YES
1202510087	BKB603N-FBB	YES

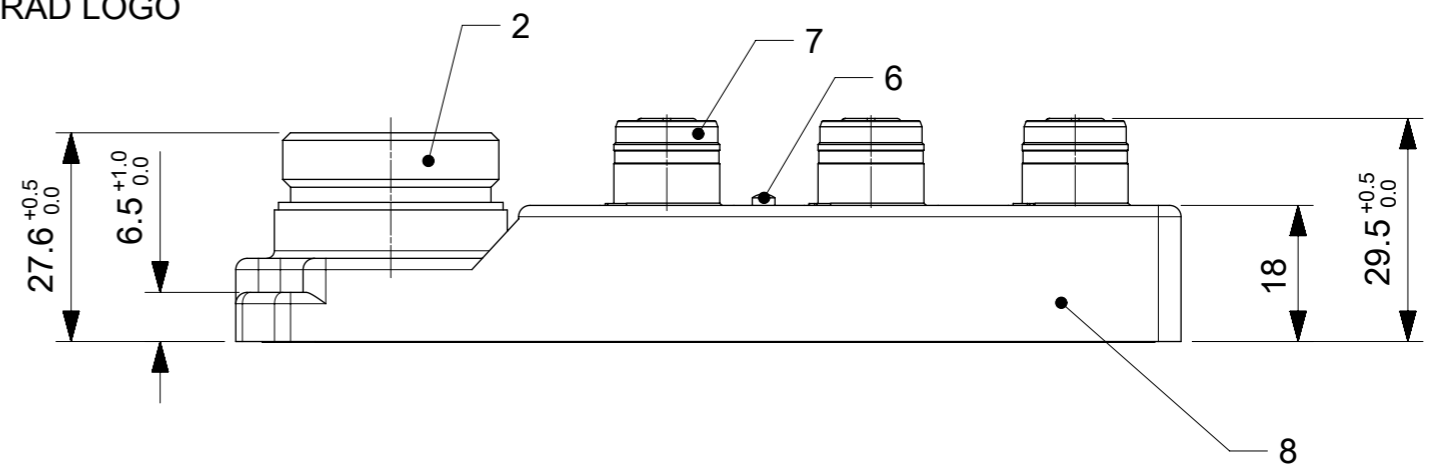
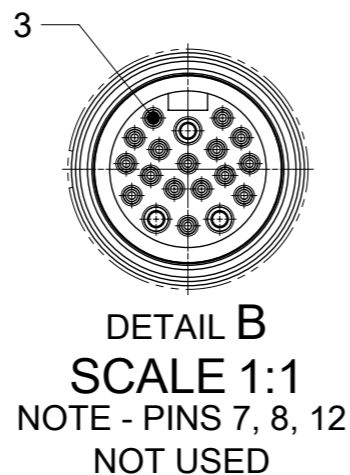
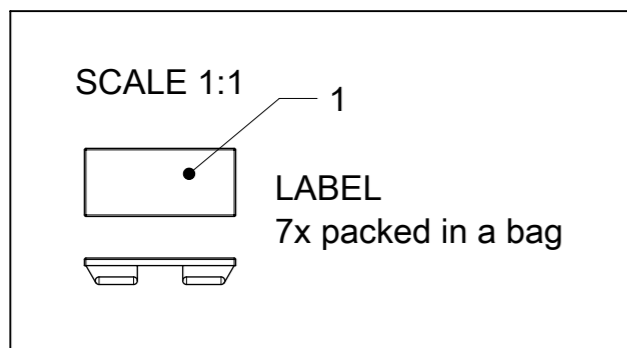
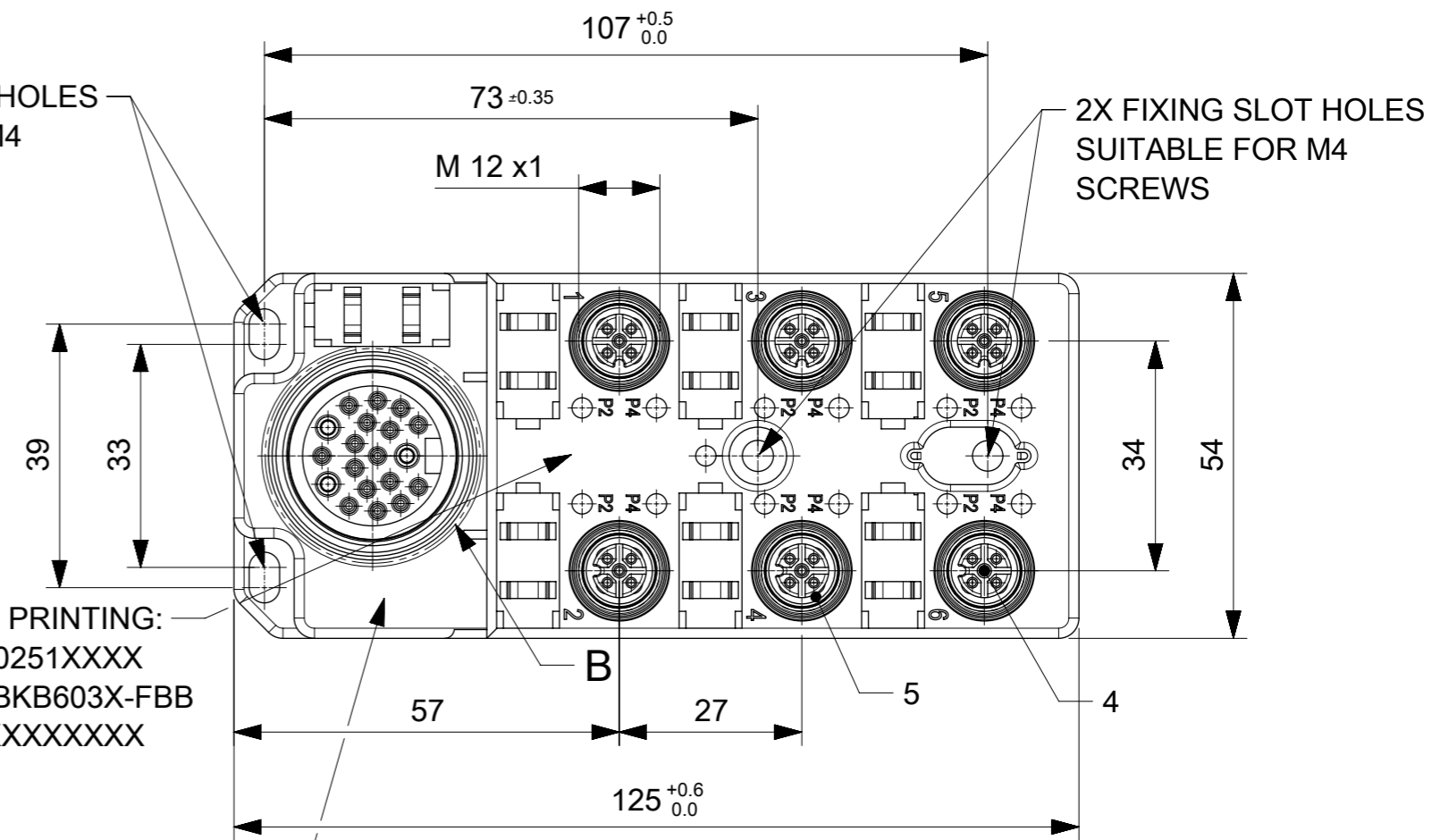
TABLE 2 BILL OF MATERIAL

ITEM	DESCRIPTION	MATERIAL	FINISH
1	LABEL	ABS	WHITE
2	SHELL	BRASS	NICKEL PLATED
3	CONTACT	BRASS	GOLD OVER NICKEL
4	CONTACT	BRONZE	GOLD OVER NICKEL
5	O-RING	FPM	RED
6	LED	NO LED = PA	BLACK
		WITH LED = PA	TRANSPARENT
7	SHELL	BRASS	NICKEL PLATED
8	HOUSING	PBT	BLACK

2X FIXING SLOT HOLES
SUITABLE FOR M4
SCREWS

LASER PRINTING:
PN: 120251XXXX
ENG.: BKB603X-FBB
PO: XXXXXXXXX

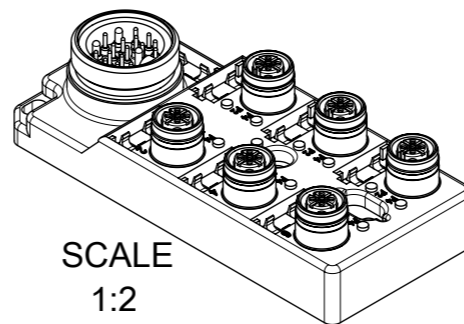
LASER PRINTING
BRAD LOGO



GENERAL CHARACTERISTICS:

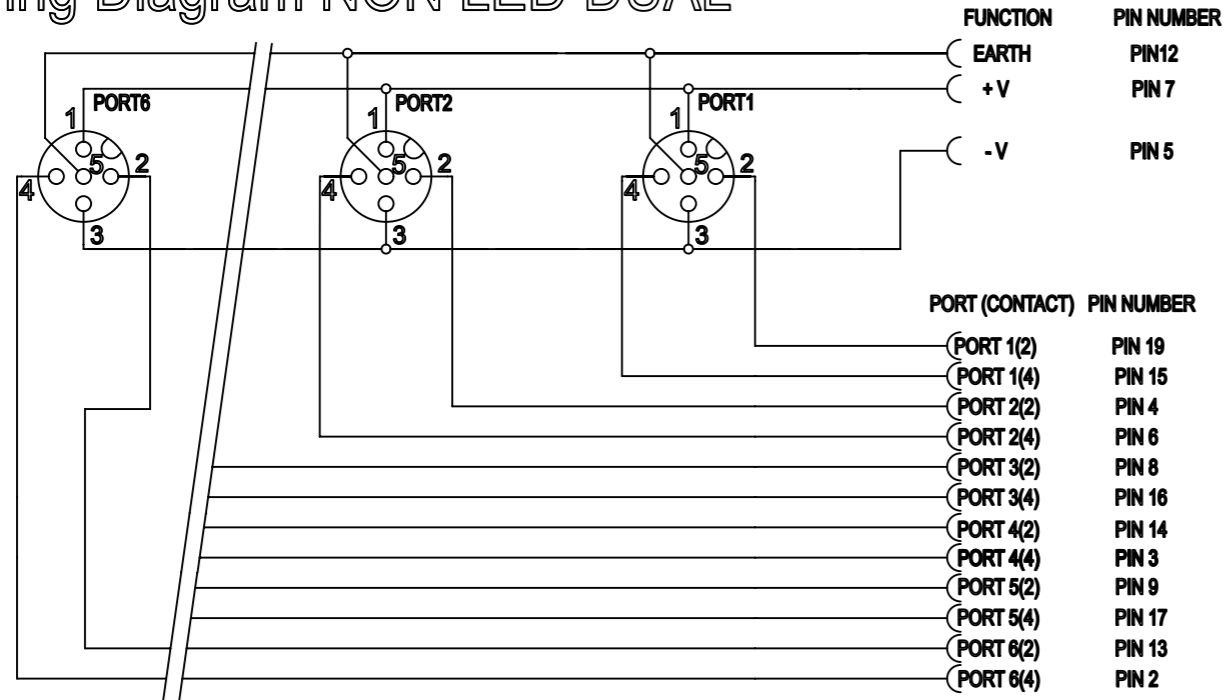
ELECTRICAL AND MECHANICAL DATA ACC. TO IEC 61076-2-101

NOMINAL VOLTAGE: 10-30 V DC
 AMPERE RATING: 4 A PER PORT / 12 A MAX
 AMPERE RATING WITH UL REGISTRATION: 3 A PER PORT / 9 A MAX
 IP DEGREE OF PROTECTION: IP 67
 TEMPERATURE RANGE: -25°C to + 85°C

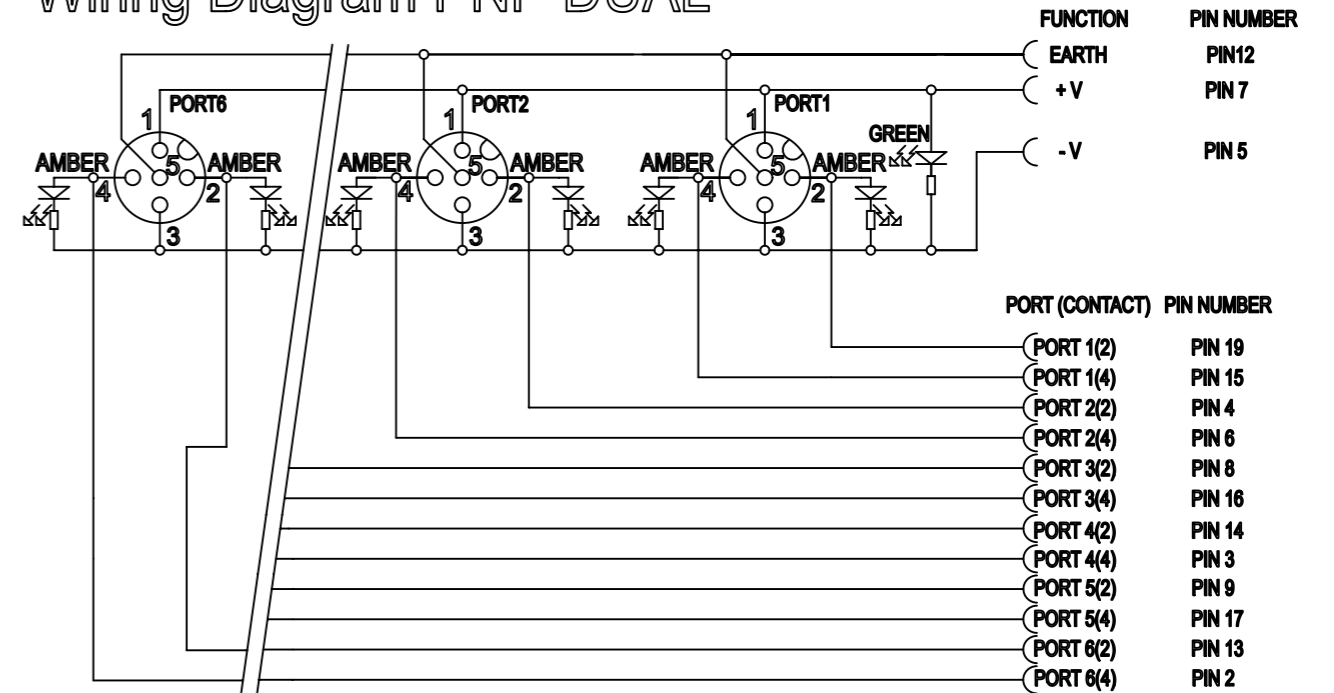


SYMBOLS		THIS DRAWING CONTAINS INFORMATION THAT IS PROPRIETARY TO MOLEX ELECTRONIC TECHNOLOGIES, LLC AND SHOULD NOT BE USED WITHOUT WRITTEN PERMISSION		CURRENT REV DESC:		molex	
▽ = 0	0	DIMENSION UNITS	SCALE	EC NO: 630686		MPIS U12 NON 5P 6PT MINI CHANGE BK DUAL	
▽ = 0	0	mm	1:1	DRWN: SSM 2019/01/03		PRODUCT CUSTOMER DRAWING	
▽ = 0	0	GENERAL TOLERANCES (UNLESS SPECIFIED)		CHK'D: RSILLER 2020/01/17		DOCUMENT NUMBER	
▽ = 0	0	ANGULAR TOL ± 1.0°		APPR: RSILLER 2020/01/17		1202510085	
▽ = 0	0	4 PLACES ±		INITIAL REVISION:		DOC TYPE DOC PART REVISION	
▽ = 0	0	3 PLACES ±		DRWN: SSM 2019/01/03		PSD 000 A	
▽ = 0	0	2 PLACES ± 0.05		APPR: RSILLER 2020/01/17		MATERIAL NUMBER CUSTOMER	
▽ = 0	0	1 PLACE ± 0.3		THIRD ANGLE PROJECTION		SEE TABLE 1 GENERAL MARKET	
▽ = 0	0	0 PLACES ± 0.5		DRAWING SERIES		SHEET NUMBER	
▽ = 0	0	DRAFT WHERE APPLICABLE MUST REMAIN WITHIN DIMENSIONS		A3-SIZE 120251		1 OF 2	

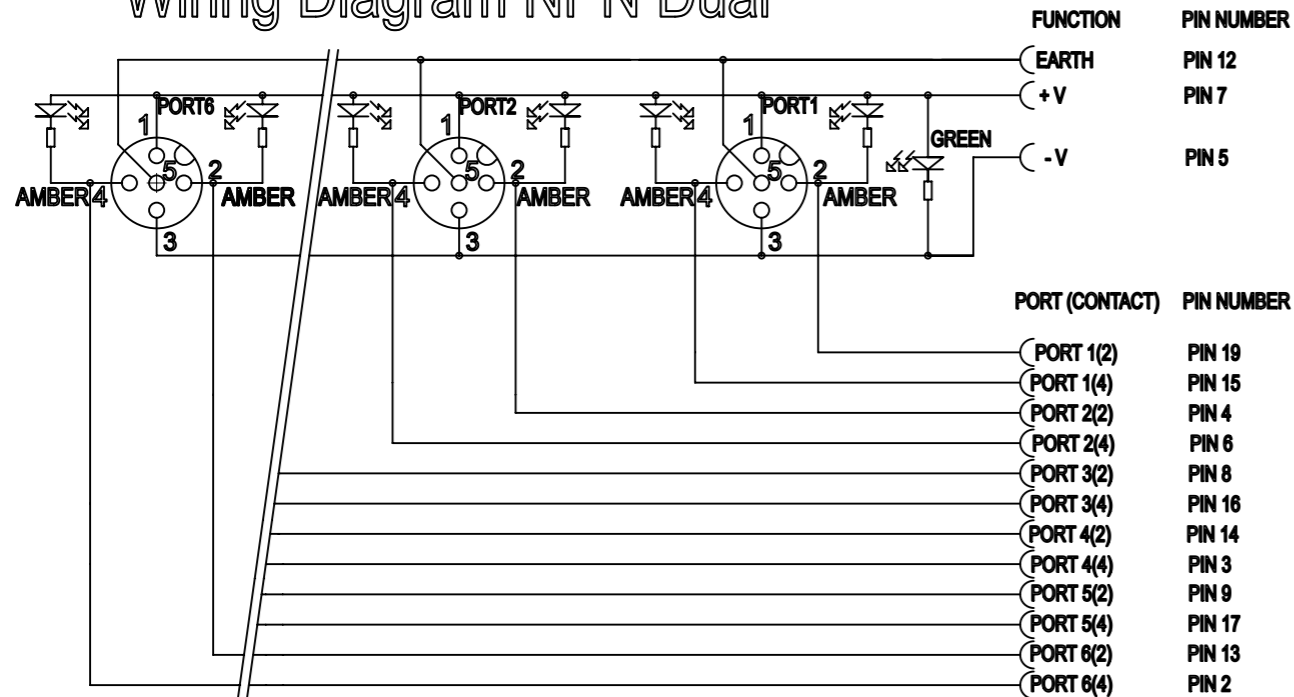
Wiring Diagram NON LED DUAL



Wiring Diagram PNP DUAL



Wiring Diagram NPN Dual



SYMBOLS DIMENSION UNITS: mm SCALE: 1:1 GENERAL TOLERANCES (UNLESS SPECIFIED): ANGULAR TOL ± 1.0° 4 PLACES ± 3 PLACES ± 2 PLACES ± 0.05 1 PLACE ± 0.3 0 PLACES ± 0.5 DRAFT WHERE APPLICABLE MUST REMAIN WITHIN DIMENSIONS THIRD ANGLE PROJECTION DRAWING: A3-SIZE SERIES: 120251	THIS DRAWING CONTAINS INFORMATION THAT IS PROPRIETARY TO MOLEX ELECTRONIC TECHNOLOGIES, LLC AND SHOULD NOT BE USED WITHOUT WRITTEN PERMISSION.		CURRENT REV DESC: EC NO: 630686 DRWN: SSM 2019/01/03 CHK'D: RSILLER 2020/01/17 APPR: RSILLER 2020/01/17		molex MPIS U12 NON 5P 6PT MINI CHANGE BK DUAL	
	INITIAL REVISION: DRWN: SSM 2019/01/03 APPR: RSILLER 2020/01/17		PRODUCT CUSTOMER DRAWING			
	DOCUMENT NUMBER: 1202510085		DOC TYPE: PSD DOC PART: 000 REVISION: A		MATERIAL NUMBER: SEE TABLE 1 CUSTOMER: GENERAL MARKET SHEET NUMBER: 2 OF 2	
	DRAFT WHERE APPLICABLE MUST REMAIN WITHIN DIMENSIONS		THIRD ANGLE PROJECTION		DRAWING: A3-SIZE SERIES: 120251 MATERIAL NUMBER: SEE TABLE 1 CUSTOMER: GENERAL MARKET SHEET NUMBER: 2 OF 2	