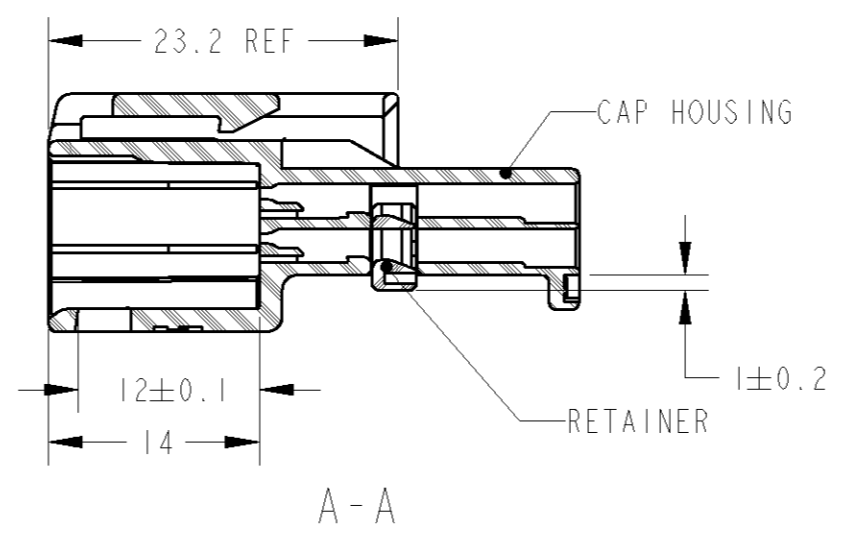
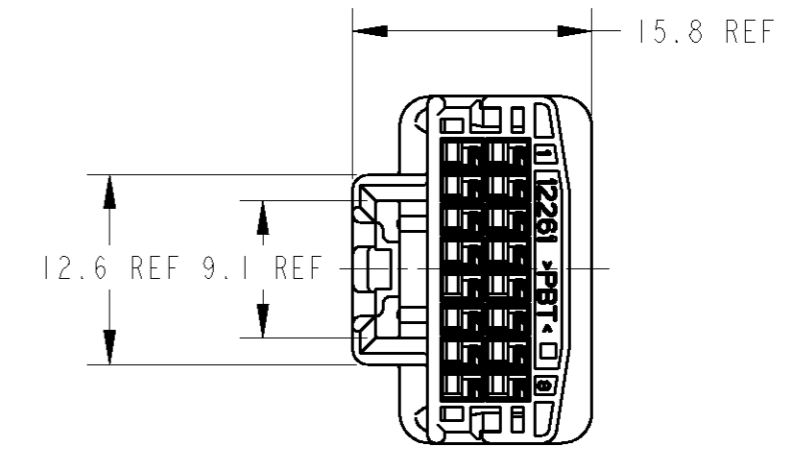
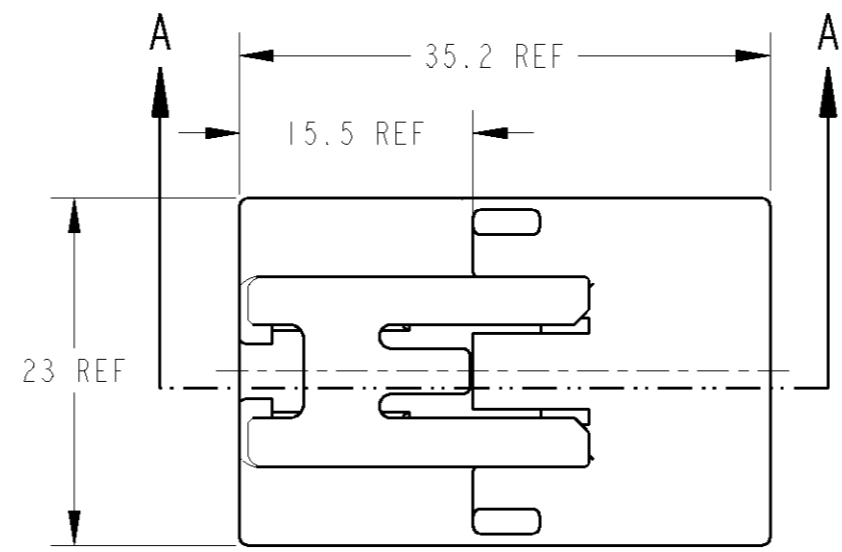
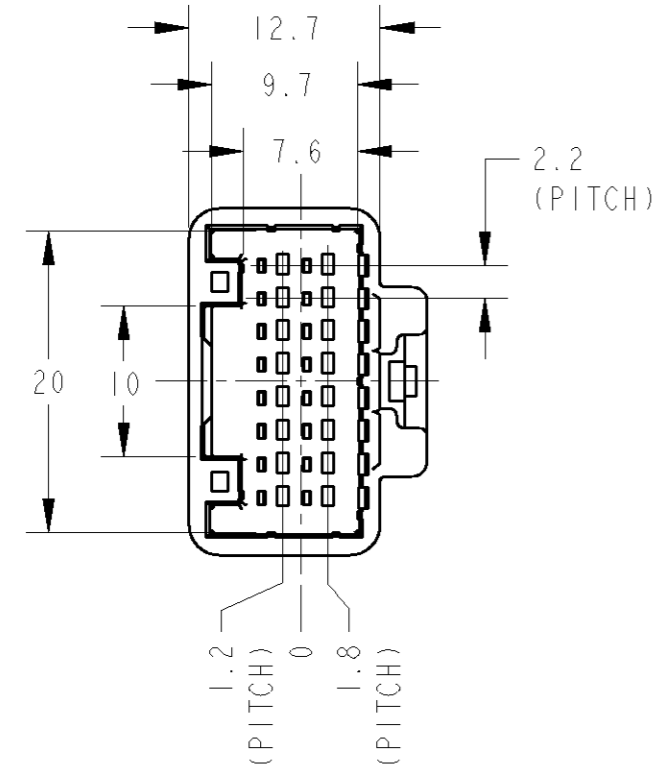
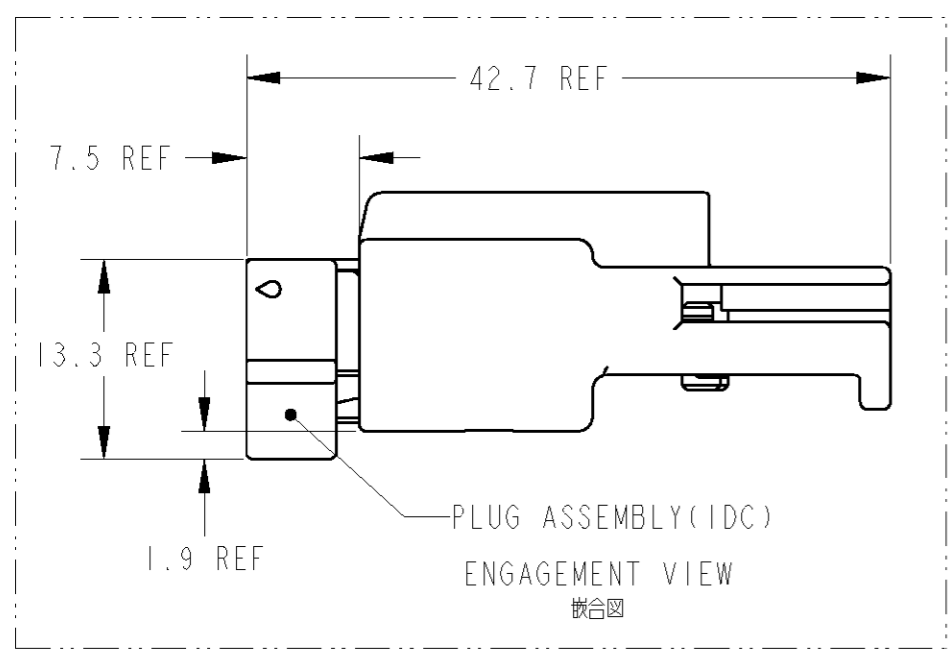


THIS DRAWING IS UNPUBLISHED. RELEASED FOR PUBLICATION 20
 © COPYRIGHT 20 BY TYCO ELECTRONICS CORPORATION. ALL RIGHTS RESERVED.

LOC	DIST	REVISIONS						
		P	LTR	DESCRIPTION	ECN	DATE	DWN	APVD
J		0		RELEASED	FJ00-2067-01	16OCT01	SA	NS



- 1. キャップハウジングにダブルロックプレートを取付して出荷される。
 - 2. 適応端子型番; 1376109, 1473818, 1565406
 - 3. 取扱説明書; 411-5996
 - 4. 嵌合相手型番; 1318692(1318690 ASSY) & 1318694(IDC) 1318386
- 1. PLATE SHOULD BE SET TO THE PRE-ASSEMBLY POSITION WITHIN THE CAP HOUSING WHEN SHIPPED TO THE CUSTOMER
 - 2. APPLIED TERMINAL; 1376109, 1473818, 1565406
 - 3. INSTRUCTION SHEET No; 411-5996
 - 4. PART NUMBER OF PLUG HOUSING TO BE MATED; 1318692(1318690 ASSY) & 1318694(IDC), 1318386



PAPER BOX ダンボール	PLASTIC BAG ビニール袋	NATURAL	1473796-1
OUTER 外装	INNER 内装	COLOR	PART NUMBER
PACKING STYLE 梱包形態			

THIS DRAWING IS A CONTROLLED DOCUMENT FOR TYCO ELECTRONICS CORPORATION. IT IS SUBJECT TO CHANGE AND THE CONTROLLING ENGINEERING ORGANIZATION SHOULD BE CONTACTED FOR THE LATEST REVISION.

DIMENSIONS: 単位: 英 mm	TOLERANCES UNLESS OTHERWISE SPECIFIED: 一般公差: ±0.3	DWN S. AMEMIYA 16OCT01	Tyco Electronics AMP K.K. Kawasaki, Japan	
	0-PLC ± 1-PLC ±0.1 2-PLC ±0.01 3-PLC ±0.001 4-PLC ±0.0001 ANGLES ±30'	CHR N. SAI 16OCT01 APVD N. SAI 16OCT01		NAME 名称 16POSITION CAP ASSEMBLY 025 IDC CONNECTOR
	MATERIAL 材料 PBT	FINISH 仕上 SEE TABLE		PRODUCT SPEC 製品規格 108-5660 APPLICATION SPEC 取付適用規格 114-5276, 114-5291 WEIGHT 5.2g

CUSTOMER DRAWING SCALE 2:1 SHEET 1 OF 1 REV 0