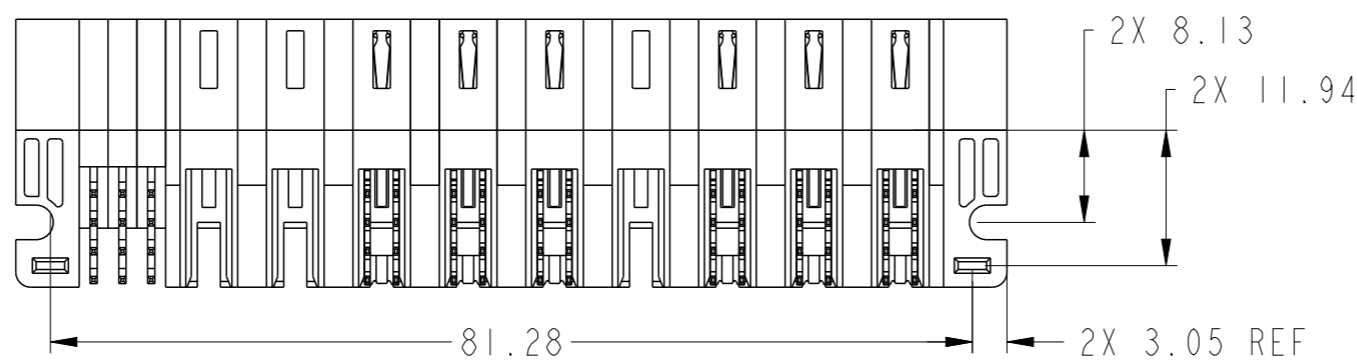
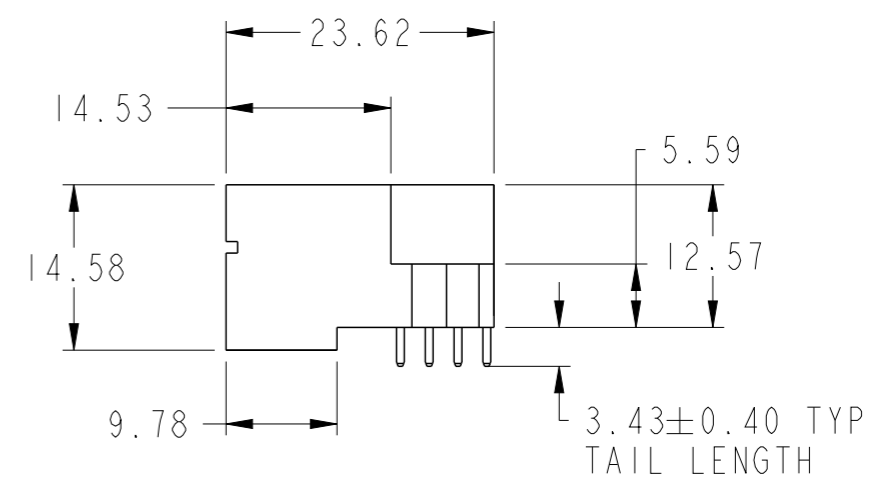
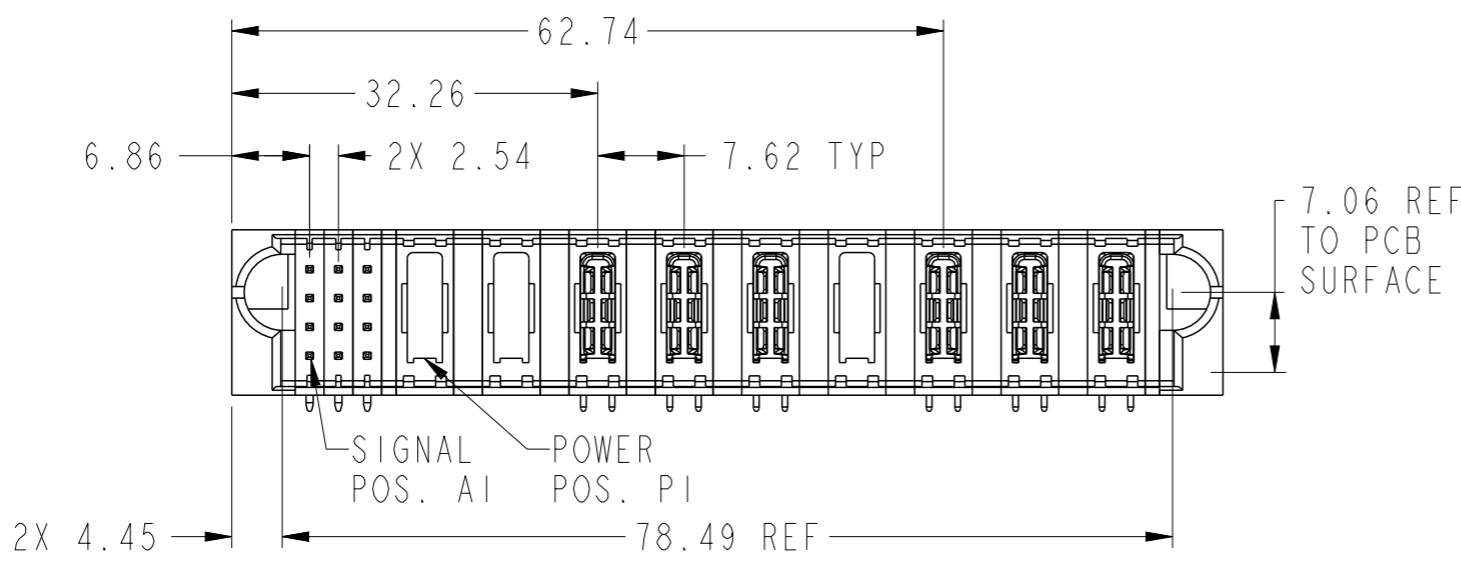
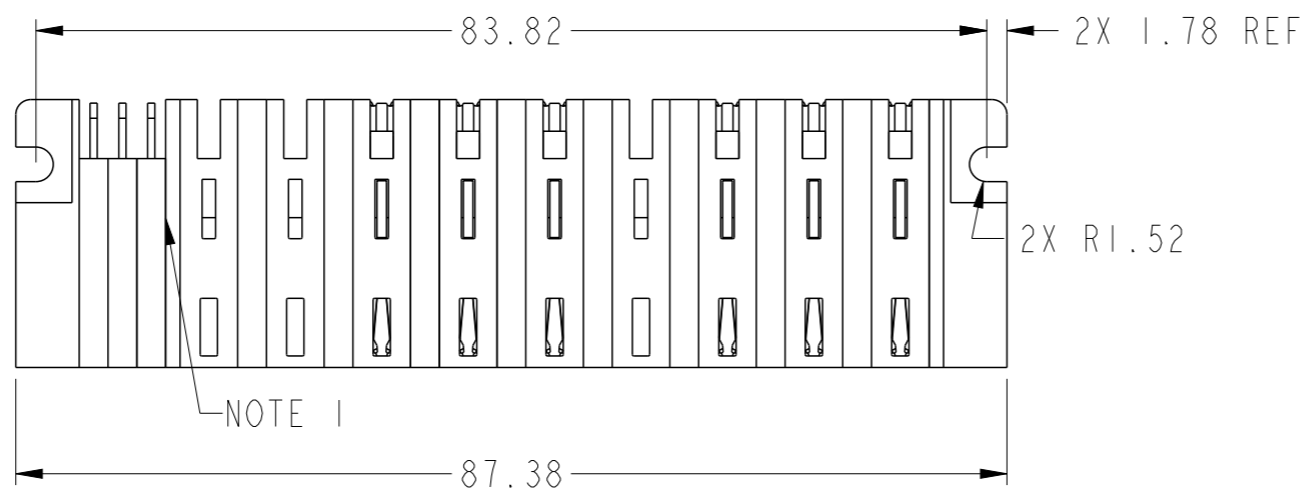


PRODUCT NUMBER SEE SHEET 2

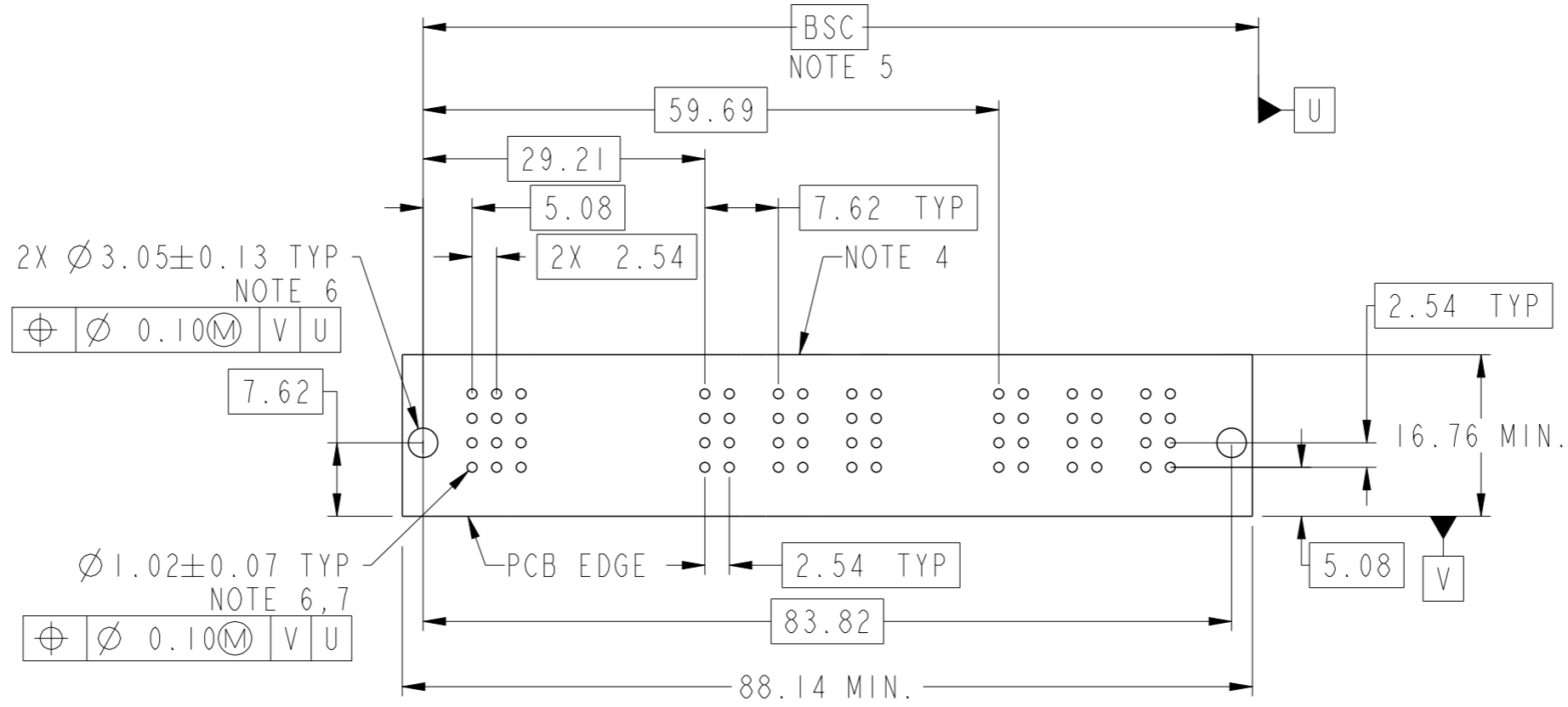


spec ref		dr	Sunny2 Liu	2017/07/11	projection 	MM ←→	size	A3	scale	3:2	
tolerance std		eng	Sunny2 Liu	2017/08/01			ecn no	-			
ISO 406 ISO 1101		chr	Fancy Zhang	2017/08/01			rel level	Released			
TOLERANCES UNLESS OTHERWISE SPECIFIED		appr	Pei-Ming Zheng	2017/08/01	product family	PwrBlade+					
surface	linear	0.X	±0.5	Amphenol FCi	12S + 9ACP RA STB PLUG		dwg no	10106116-9003001		rev	A
		0.XX	±0.25								
		0.XXX	±0.10								
ISO 1302	angular	0°	±2°	cat. no.	Product - Customer Drw			sheet 1 of 3			

Amphenol
FCi

© 2016 AFCI

PRODUCT NO.	ROWS	HIGH POWER													
		E1	1	2	3	P1	P2	P3	P4	P5	P6	P7	P8	P9	E2
10106116-9003001LF	DCBA	U	U	U		X	X	H1	H1	H1	X	H1	H1	H1	
		T	T	T											
		S	S	S											
		E	E	E											



CODE	DESCRIPTION
E	MLBF SIGNAL CONTACT, ROW A (3.43)
H1	STD HIGH POWER CONTACT (3.43)
S	STD SIGNAL CONTACT, ROW B (3.43)
T	STD SIGNAL CONTACT, ROW C (3.43)
U	STD SIGNAL CONTACT, ROW D (3.43)
X	OMITTED

spec ref	dr	Sunny2 Liu	2017/07/11	projection	MM	size	A3	scale	3:2
tolerance std	eng	Sunny2 Liu	2017/08/01			ecn no	-	rel level	Released
ISO 406 ISO 1101	chr	Fancy Zhang	2017/08/01						
surface	linear	0.X	±0.5	product family	PwrBlade+	dwg no	10106116-9003001	rev	A
		0.XX	±0.25						
ISO 1302	angular	0°	±2°	Amphenol FCI	12S + 9ACP	cat. no.	Product - Customer Drw	sheet 2 of 3	

Amphenol FCI

© 2016 AFCI

NOTES:

- 1) PRODUCT MARK:
PART NUMBER AND DATE CODE TO BE MARKED ON THIS SURFACE .
THE MARK CAN BE OMITTED IF THERE IS NOT ENOUGH SPACE ON THIS SURFACE.
- 2) MATERIALS:
-HOUSING : HIGH TEMP THERMOPLASTIC WITH GLASS FIBER, UL94V-0, BLACK.
-POWER CONTACT : HIGH CONDUCTIVITY COPPER ALLOY.
-SIGNAL CONTACT : COPPER ALLOY.
- 3) PLATING SPECIFICATION : 10116351
- 4) DENOTES CONNECTOR KEEP OUT ZONE.
- 5) DATUM AND BASIC DIMENSIONS ARE ESTABLISHED BY CUSTOMER.
- 6) ALL HOLE DIAMETERS ARE FINISHED HOLE SIZES.
- 7) 1.15+/-0.025MM DRILLED HOLE PLATED WITH 0.00762MM MIN SN
OVER 0.0254-0.0762MM CU PLATING TO ACHIEVE A 1.02+/-0.07MM HOLE.
- 8) THE HOUSING WILL WITHSTAND EXPOSURE TO 265 °C PEAK TEMPERATURE
FOR 10 SECONDS IN A WAVE SOLDER APPLICATION.
- 9) THIS PRODUCT MEETS EUROPEAN UNION DIRECTIVES AND OTHER COUNTRY
REGULATIONS AS DESCRIBED IN GS-47-0004.
- 10) PRODUCT SPECIFICATION : GS-12-658.
APPLICATION SPECIFICATION : GS-20-141.
PRODUCT PACKAGE SPECIFICATION: GS-14-1502.

Amphenol
FCi

© 2016 AFCI

spec ref		dr	Sunny2 Liu	2017/07/11	projection	MM	size	A3	scale	3:2	
tolerance std		eng	Sunny2 Liu	2017/08/01		← →	ecn no		-		
ISO 406 ISO 1101		chr	Fancy Zhang	2017/08/01			rel level		Released		
TOLERANCES UNLESS OTHERWISE SPECIFIED		appr	Pei-Ming Zheng	2017/08/01	product family		PwrBlade+				
surface	linear	0.X	±0.5	Amphenol FCi	12S + 9ACP RA STB PLUG		dwg no	10106116-9003001		rev	A
		0.XX	±0.25								
0.XXX	±0.10										
ISO 1302	angular	0°	±2°	cat. no.	Product - Customer Drw		sheet 3 of 3				