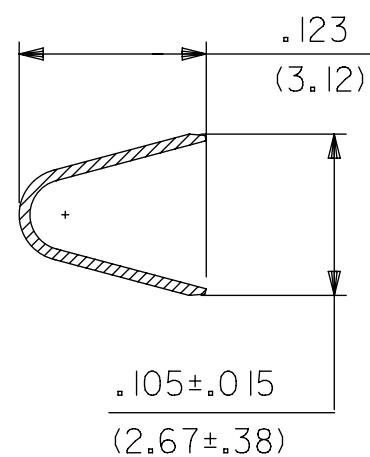
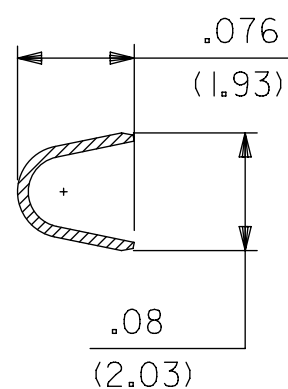


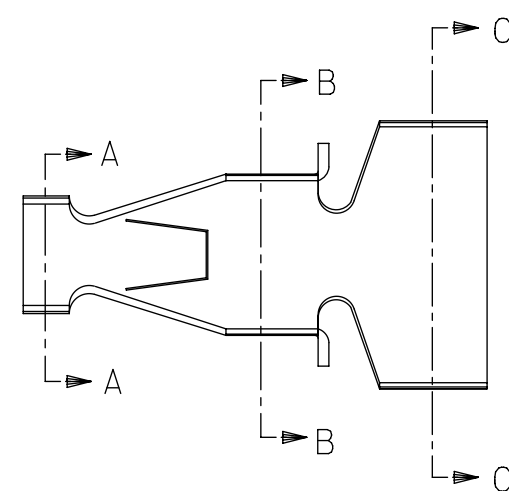
SECTION C-C



SECTION B-B



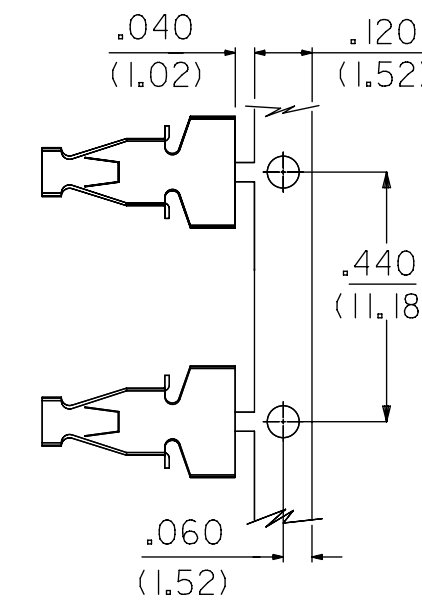
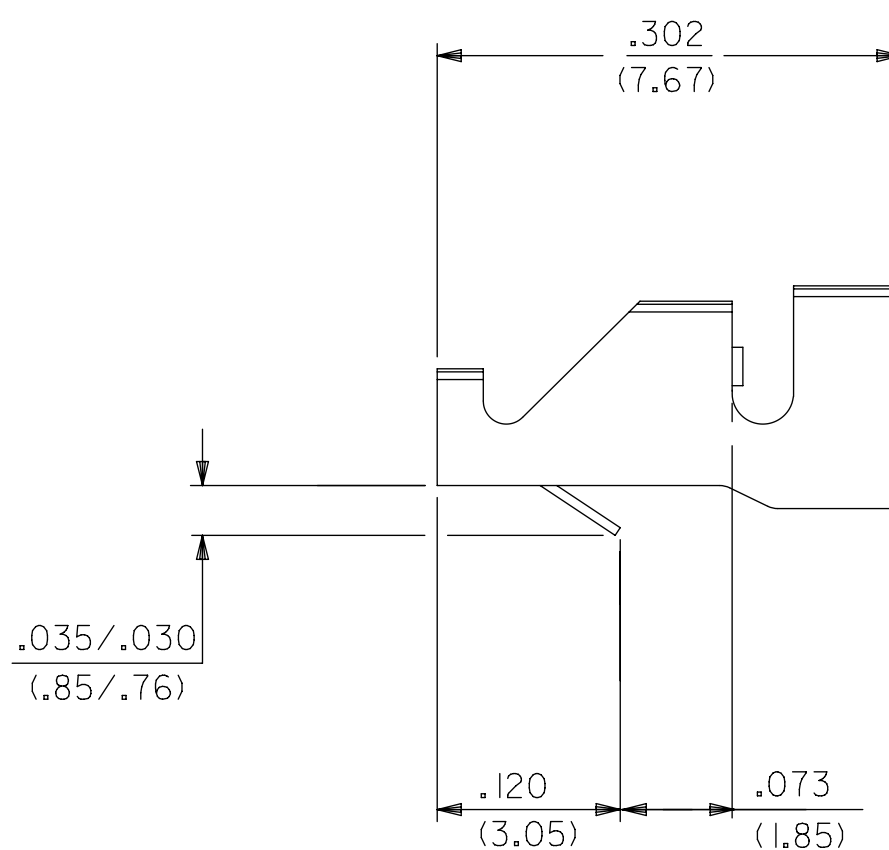
SECTION A-A



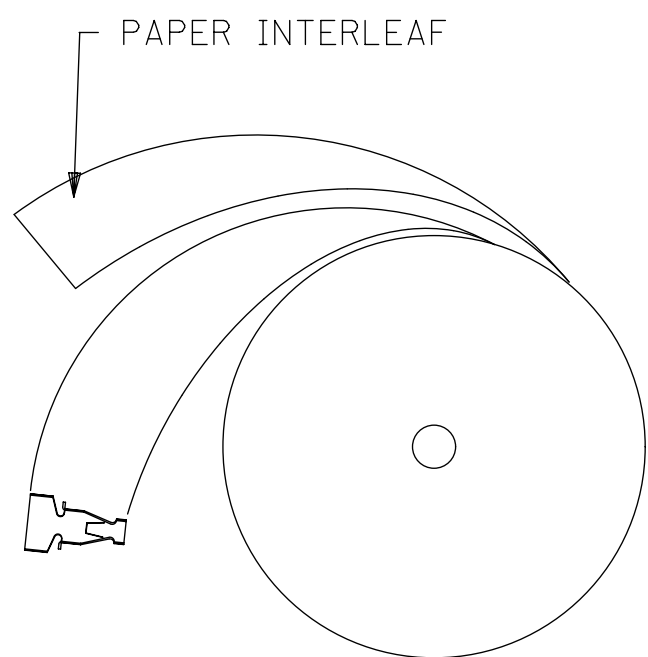
NOTES:

1. MATERIAL: BRASS, .008/(0.20) THICK
2. FINISH: P909 OVERALL HOT TIN DIP: .000100/(0.00254) MIN.
3. PRODUCT SPECIFICATION: PS-4706-001
4. PACKAGING SPECIFICATION: PK-4706-001
5. TERMINAL 4706-(***)* ACCEPTS 16 TO 18 AWG WIRE WITH INSULATION DIA. OF .120/(3.05) MAX.
6. TERMINALS CONFORM TO SOLDERABILITY SPEC SMES-152
7. THIS PART CONFORMS TO CLASS B REQUIRMENTS OF COSMETIC SPECIFICATION PS-45499-002.

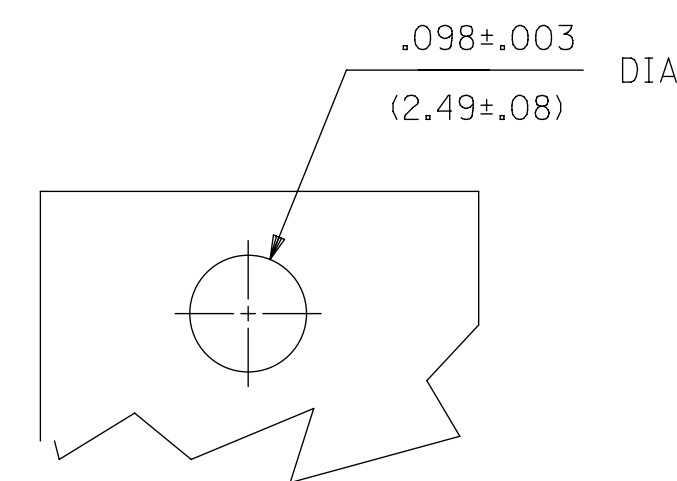
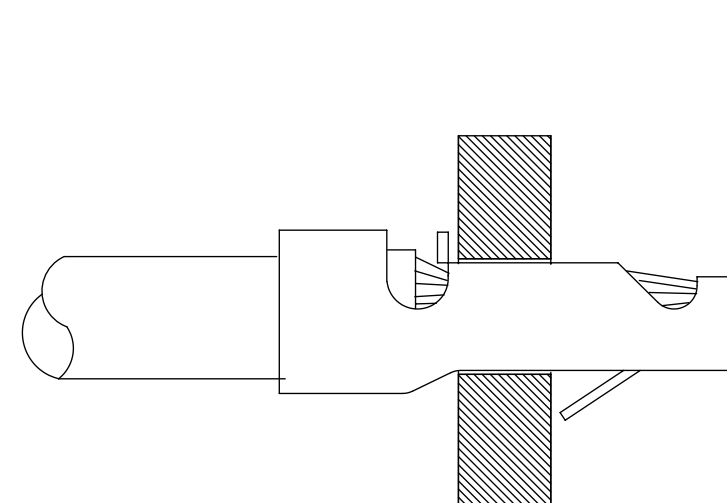
4706-*(***)*
 BLANK=SEE SHT 1
 3=SEE SHEET 2
 PLATING
 FORM
 BLANK=CHAIN
 L=LOOSE



CARRIER DETAIL



WINDING SPEC



RECOMMENDED PC BOARD
 .062/(1.57)THICK

4706-(***)*	
PART NO.	ENGINEERING NO.
02-09-2105	4706-(P909)

FUNCTIONAL SYMBOLS FA=0 FC=0 FP=0	THIS DRAWING CONTAINS INFORMATION THAT IS PROPRIETARY TO MOLEX ELECTRONIC TECHNOLOGIES, LLC AND SHOULD NOT BE USED WITHOUT WRITTEN PERMISSION		CURRENT REV DESC: REVISE NOTES, ADD PK SPEC	
	DIMENSION UNITS	SCALE		
	INCH/MM	NTS		
	GENERAL TOLERANCES (UNLESS SPECIFIED)			
DIVISIONAL SYMBOLS	4 PLACES	±	MM	INCH
	3 PLACES	±	± 0.01	
	2 PLACES	±	0.25	± 0.14
	1 PLACE	±	0.36	±
0 PLACES	±	±		
ANGULAR TOL	±	0.5°		
DRAFT WHERE APPLICABLE MUST REMAIN WITHIN DIMENSIONS		THIRD ANGLE PROJECTION	DRAWING	SERIES
			C-SIZE	4706
		EC NO: 708187	2022/05/26	
		DRWN: MKIPPER	2022/06/14	
		CHK'D: SSOUSEK	2022/06/14	
		APPR: FSMITH	2022/06/14	
		INITIAL REVISION:		
		DRWN: RFC_PLMIMP	2018/09/12	
		APPR: YMARGULI	2001/09/07	
		DOCUMENT NUMBER	DOC TYPE	DOC PART
		SD-4706	PSD	001
		CUSTOMER	REVISION	
		GENERAL MARKET	J3	
		MATERIAL NUMBER	SHEET NUMBER	
		SEE CHART	1 OF 2	

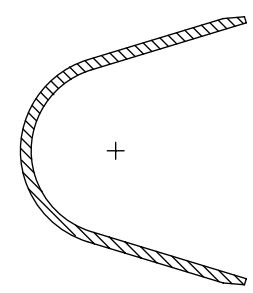
molex

STRAIN RELIEF TERMINAL

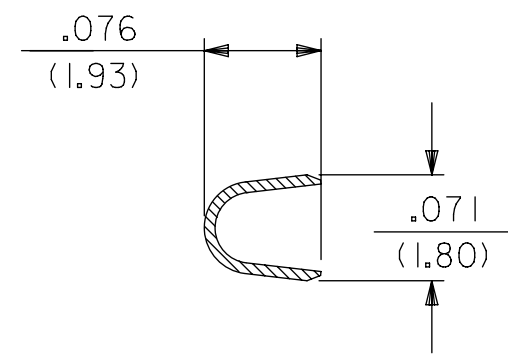
PRODUCT CUSTOMER DRAWING

SD-4706 PSD 001 J3

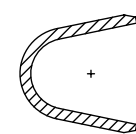
SEE CHART GENERAL MARKET 1 OF 2



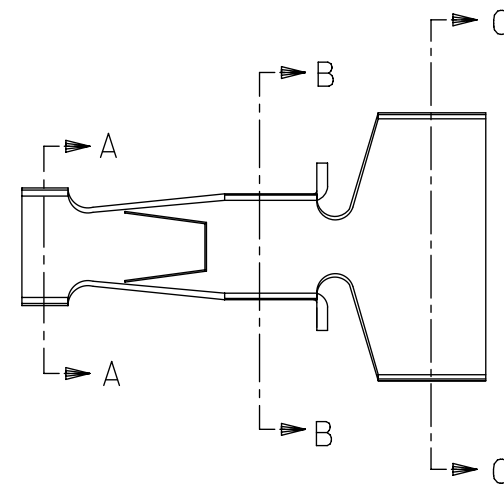
SECTION C-C



SECTION B-B



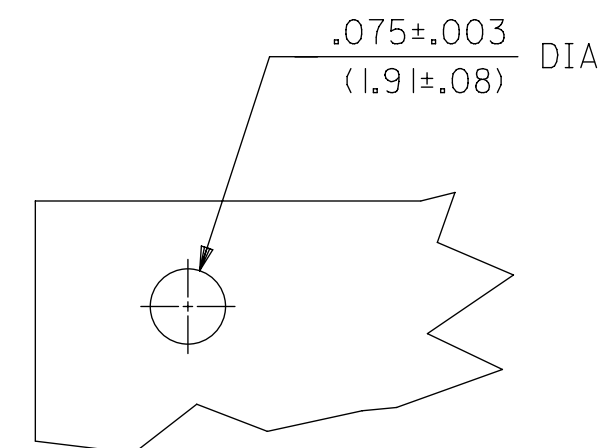
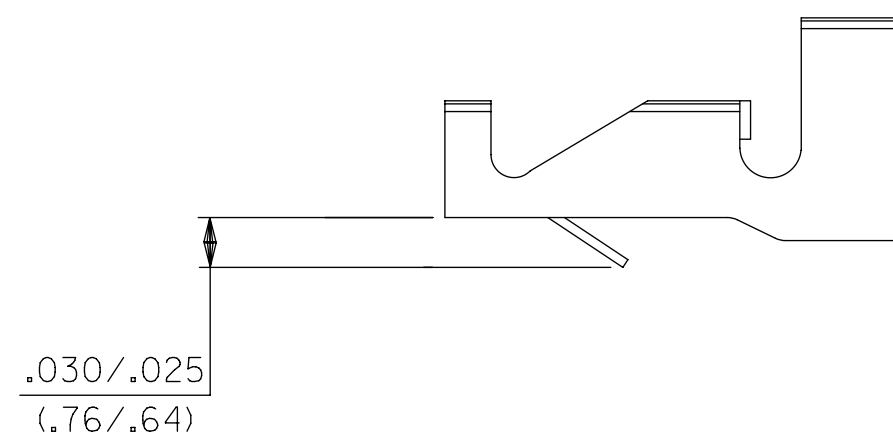
SECTION A-A



NOTES:

1. THIS PART IS THE SAME AS SHEET 1 EXCEPT AS SHOWN
2. MATERIAL: BRASS, .006/(0.15) THICK
3. FINISH: P909 OVERALL HOT TIN DIP: .000100/(0.00254) MIN.
4. TERMINAL 4706-3(***)* ACCEPTS 18 TO 24 AWG WIRE WITH INSULATION DIA. OF .120/(3.05) MAX.

4706-3(***)*	
PART NUMBER	ENGINEERING NO.
02-07-2101	4706-3(P909)



RECOMMENDED PC BOARD
.062/(1.57) THICK

FUNCTIONAL SYMBOLS $\frac{F}{A} = 0$ $\frac{F}{C} = 0$ $\frac{F}{P} = 0$ DIVISIONAL SYMBOLS	THIS DRAWING CONTAINS INFORMATION THAT IS PROPRIETARY TO MOLEX ELECTRONIC TECHNOLOGIES, LLC AND SHOULD NOT BE USED WITHOUT WRITTEN PERMISSION		CURRENT REV DESC: REVISE NOTES, ADD PK SPEC					
	DIMENSION UNITS	SCALE	EC NO: 708187					
	INCH/MM	NTS	DRWN: MKIPPER 2022/05/26					
	GENERAL TOLERANCES (UNLESS SPECIFIED)		CHK'D: SSOUSEK 2022/06/14					
		MM	INCH	APPR: FSMITH 2022/06/14	PRODUCT CUSTOMER DRAWING			
	4 PLACES	±	±	INITIAL REVISION:	DOCUMENT NUMBER	DOC TYPE	DOC PART	REVISION
	3 PLACES	±	± 0.01	DRWN: RFC_PLMIMP 2018/09/12	SD-4706	PSD	001	J3
	2 PLACES	± 0.25	± 0.14	APPR: YMARGULI 2001/09/07	MATERIAL NUMBER	CUSTOMER	SHEET NUMBER	
	1 PLACE	± 0.36	±	THIRD ANGLE PROJECTION	SEE CHART	GENERAL MARKET	2 OF 2	
	0 PLACES	±	±	DRAFT WHERE APPLICABLE MUST REMAIN WITHIN DIMENSIONS	C-SIZE			
					SERIES			
					4706			