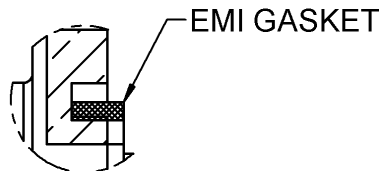
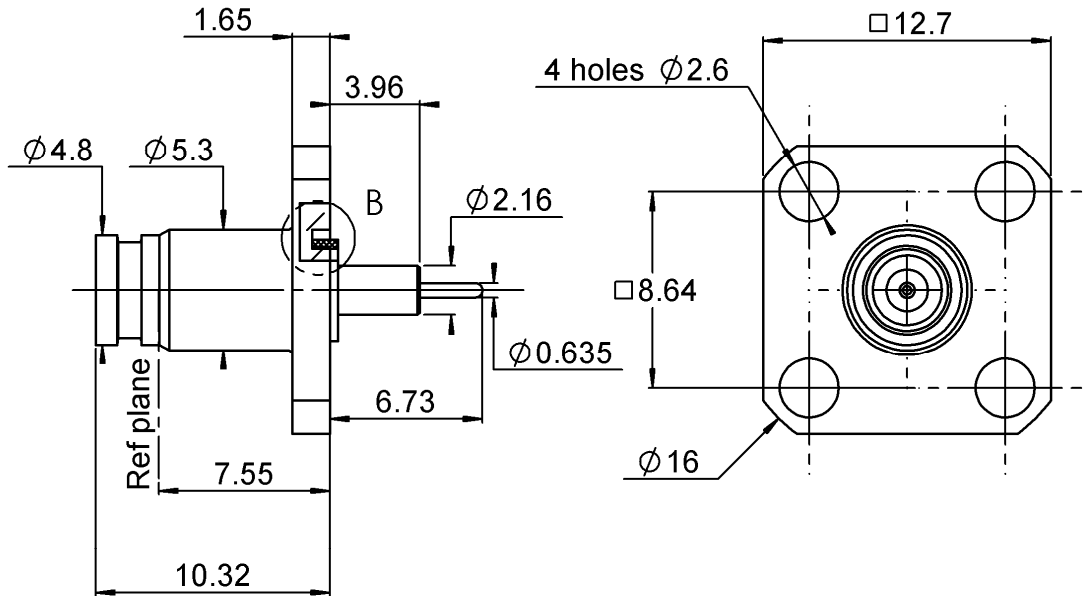


SQUARE FLANGE JACK RECEPTACLE
LIMITED-DETENT EMI GASKET

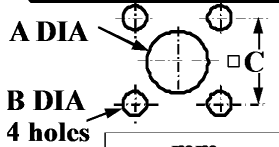
R222.L10.010

Series : SMP LOCK

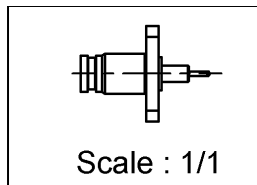


DETAIL B
SCALE 6 : 1

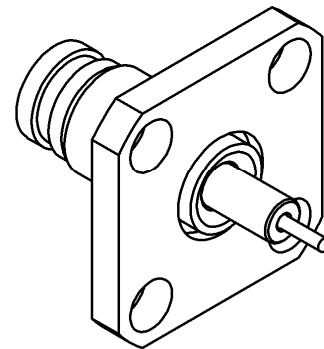
PANEL CUT OUT



	mm	
	Maxi	mini
A	2.3	2.22
B	2.7	2.6
C	8.69	8.59



Scale : 1/1



All dimensions are in mm.

COMPONENTS	MATERIALS	PLATING (µm)
BODY	BRASS	GOLD 1.3 OVER NICKEL 2
CENTER CONTACT	BERYLLIUM COPPER	GOLD 1.3 OVER NICKEL 1.3
OUTER CONTACT	-	-
INSULATOR	PTFE	-
GASKET	CONDUCTIVE SILICONE LOADED Ag	-
OTHERS PARTS	-	-
-	-	-
-	-	-

Issue : 1313 A

In the effort to improve our products, we reserve the right to make changes judged to be necessary.
 This document contains proprietary information and such information shall not be disclosed to any third party for any purpose whatsoever or used for manufacturing purposes without prior written agreement from RADIALL



DRAFT

SQUARE FLANGE JACK RECEPTACLE

R222.L10.010

LIMITED-DETENT EMI GASKET

Series : **SMP LOCK**

PACKAGING

SPECIFICATION

Standard	Unit	Other
100	-	Contact us

ELECTRICAL CHARACTERISTICS

ENVIRONMENTAL

Impedance		50 Ω
Frequency		0-12 GHz
VSWR	1.2* +	0,0000 x F(GHz) Maxi
Insertion loss		0.12* √F(GHz) dB Maxi
RF leakage	- (90 - F(GHz)) dB Maxi
Voltage rating		335 Veff Maxi
Dielectric withstanding voltage		500 Veff mini
Insulation resistance		5000 MΩ mini

Operating temperature	-65/+165 ° C
Hermetic seal	NA Atm.cm3/s
Panel leakage	NA

OTHER CHARACTERISTICS

Assembly instruction

Others :

*Coaxial Transmission Line Only

MECHANICAL CHARACTERISTICS

Center contact retention		
Axial force – Mating end		6.7 N mini
Axial force – Opposite end		6.7 N mini
Torque		NA N.cm mini
Recommended torque		
Mating		NA N.cm
Panel nut		NA N.cm
Mating life		500 Cycles mini
Weight		2,7100 g

Issue : 1313 A

In the effort to improve our products, we reserve the right to make changes judged to be necessary.
 This document contains proprietary information and such information shall not be disclosed to any third party for any purpose whatsoever or used for manufacturing purposes without prior written agreement from RADIALL



DRAFT