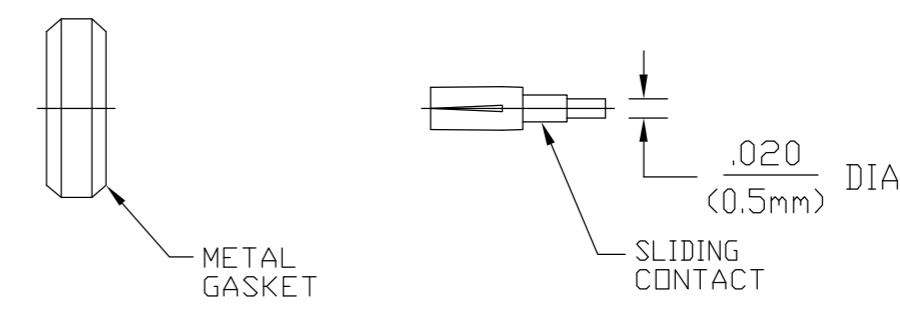
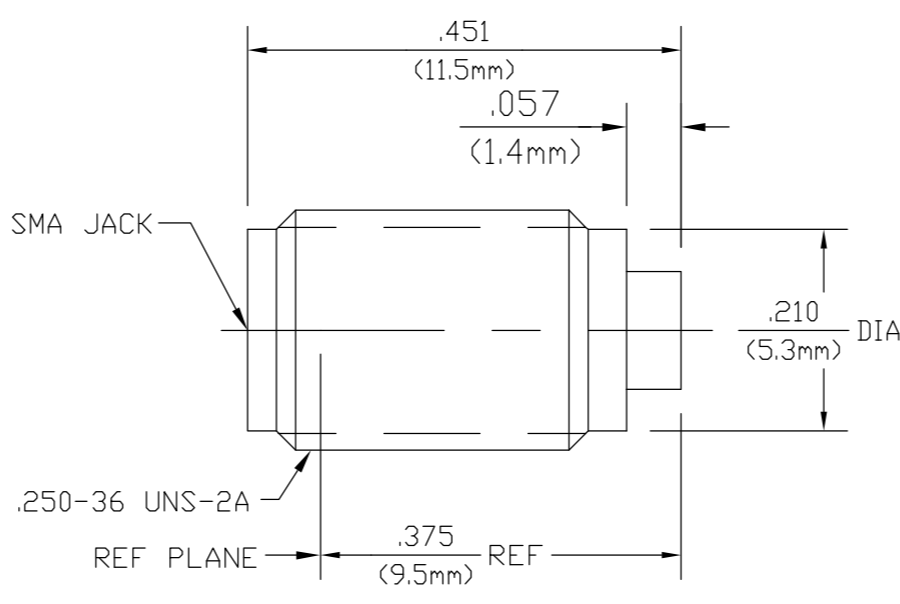
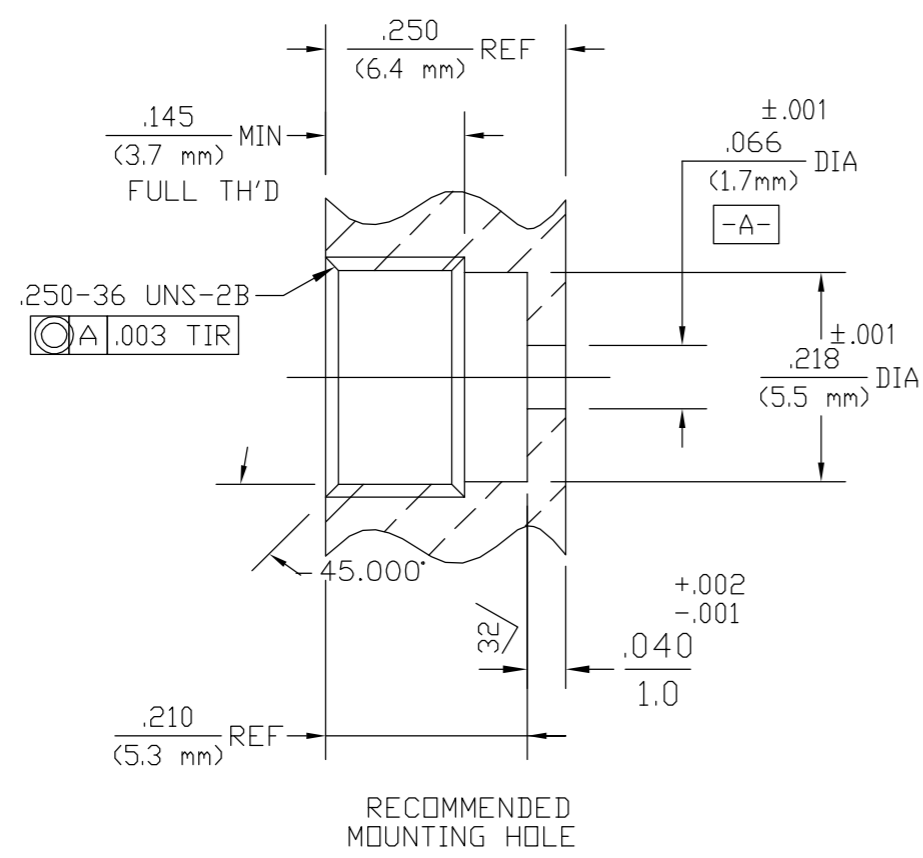


THIS DRAWING IS UNPUBLISHED. RELEASED FOR PUBLICATION
 © COPYRIGHT BY TYCO ELECTRONICS CORPORATION. ALL RIGHTS RESERVED.

LOC	DIST	REVISIONS					
HC	00	P	LTR	DESCRIPTION	DATE	DWN	APVD
		A		REV PER ECO 06-002539	07APR06	GB	JH



6053251-1
 PART NUMBER

HOUSING	STAINLESS STEEL PER ASTM-A484 AND ASTM-A582, TYPE 303	GOLD PLATE PER ASTM B 488
DIELECTRIC	TFE FLUOROCARBON PER ASTM D 1710	N/A
CENTER CONTACT	BERYLLIUM COPPER PER ASTM B196	GOLD PLATE PER ASTM B 488
CONTACT EXT. BUSHING	IRON-NICKEL ALLOY PER MIL-I-23011 CLASS 1 (KOVAR)	GOLD PLATE PER ASTM B 488
HERMETIC SEAL	CORNING #7052	N/A
METAL GASKET	SAE B-113 STEEL	SILVER PLATE PER ASTM B 700
COMPONENT	MATERIAL	FINISH

ELECTRICAL	MECHANICAL	ENVIRONMENTAL
Nominal Impedance (Ohms) 50	Interface Dimensions MIL-STD-348, Fig. 310.2	TEMPERATURE RATING -65°C TO +165°C
Frequency Range (GHz) DC - 18	Mating Characteristics:	Vibration - MIL-STD-202, Method 204, Condition D
Volt Rating (VRMS MAX) 335	Insertion (MAX Lbs) 3.0	Shock - MIL-STD-202, Method 107, Condition I
VSWR 1.04 +.009 *FGHz	Withdrawal (MIN Oz) 1.0	Thermal Shock MIL-STD-202, Method 107, Condition B
Insertion Loss (dB MAX) .05√F(GHz)	Force To Engage (In/Lbs MAX) 2.0	Moisture Resistance - MIL-STD-202, Method 106
RF Leakage (dB MIN) -(100 - F(GHz))	Force To Disengage (In/Lbs MAX) 2.0	Corrosion - MIL-STD-202, Method 101, Condition B, 5% salt spray
Corona, 70,000 Ft (VRMS MIN) 333	Center Contact Captivation	Leak Test Per MIL-STD-202, Method 112, Condition C, Procedure 1 1*10 ⁻⁸ cc/sec
Dielectric Withstanding Voltage (VRMS MIN) 1000 @ sea level	Axial 6.0 Lbs	
Contact Resistance (Milliohms MAX)	Radial 1.0 IN-OUNCE MIN	
Center Contact 10.0	Weight (Grams) T.B.D.	
Outer Contact 2.0		
RF High Potential (VRMS MIN @ 5 MHz) 667 @ sea level		
I.R.(Megohms) 5000		

THIS DRAWING IS A CONTROLLED DOCUMENT. DWN B.ZAMB 03NOV87

CHK -

APVD -

PRODUCT SPEC -

APPLICATION SPEC 408-4867

WEIGHT -

CUSTOMER DRAWING

tyco Electronics Tyco Electronics Corporation Harrisburg, PA 17105-3608

NAME

SMA HERMETICALLY SEALED ENVIRONMENTALLY DURABLE JACK RECEPTACLE, W/SLIDING CONTACT (2058-5269-00)

SIZE A2 CAGE CODE 00779 DRAWING NO C=6053251 RESTRICTED TO -

SCALE 5:1 SHEET 1 of 1 REV A