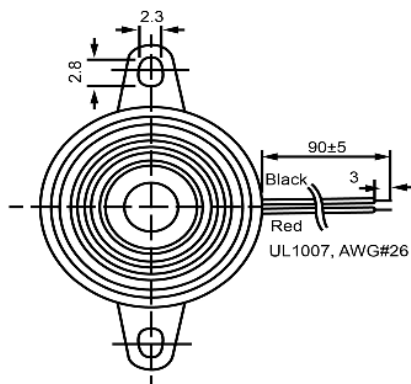
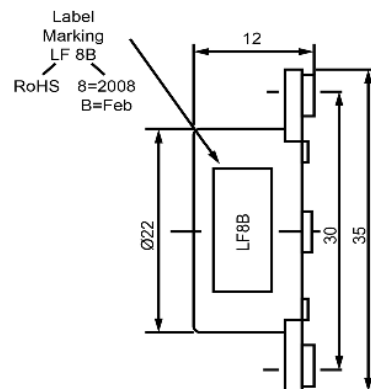




TOP VIEW



SIDE VIEW



| Specifications | | | Notes | Revision History | | | | | | |
|---|-----------|-------|---|------------------|---------------------------|-------------------|------------|----------|--|--|
| Description | Value | Unit | | Version | Description | | Date | Approved | | |
| Technology | Piezo | | 1) All dimensions are in mm unless otherwise noted 2) All parts meet RoHS | 1 | Released from Engineering | | 10/21/2013 | J.S | | |
| Resonant Frequency | 3,300 | (Hz) | | | | | | | | |
| Rated Voltage | 9 | (V) | | | | | | | | |
| SPL @ 10cm | 95 | (dBA) | | | | | | | | |
| Tone | Single | | | | | | | | | |
| Mount Type | Flange | | | | | | | | | |
| Voltage Range | 1.5 ~ 24 | (V) | | | | | | | | |
| Max Rated Current | 20 | (mA) | | | | | | | | |
| Housing Material | ABS | | | | | | | | | |
| Operating Temperature | -20 ~ +70 | °C | | | | | | | | |
| Storage Temperature | -20 ~ +70 | °C | | | | | | | | |
| Weight | 14 | (g) | | | | | | | | |
|  DB UNLIMITED | | |  Piezo Indicator | | | IP223309-1 | | | | |
| | | | | | | | | | | |

Additional considerations can be found at www.dbunlimitedco.com/technical-articles.