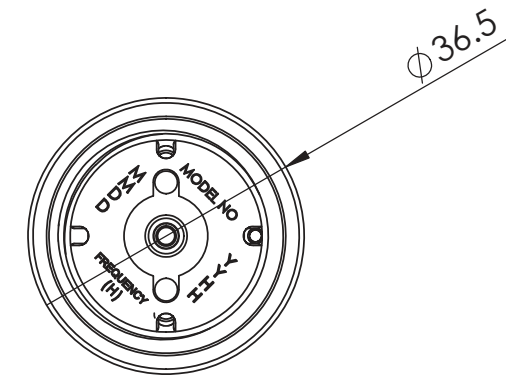
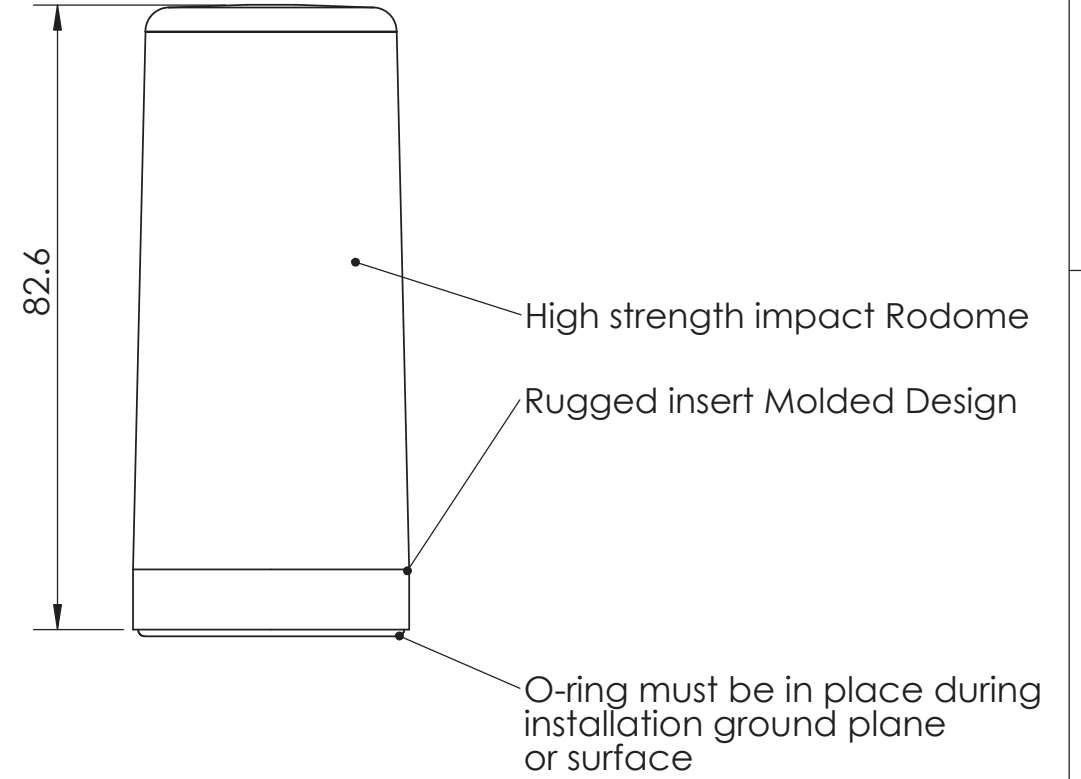


# Electrical SPEC

Item	Model Number	Antenna Color	Frequency	VSWR	Gain (Typical)	Gain (Max)	Input Impedance	Polarization
1	UTRA3802S1NW-001	WHITE	380-410 MHz	<2.5:1	1.4 dBi	2.0 dBi	50 ohm	Vertical
2	UTRA3802S1NB-001	BLACK	380-410 MHz	<2.5:1	1.4 dBi	2.0 dBi	50 ohm	Vertical

\*Tested on 2ft x 2ft Ground Plane

REVISIONS					
REV.	ECR#	ZONE	DESCRIPTION	CHANGED BY/DATE	APPROVED BY/DATE
F01	ECN-IAS-03462	N/A	MO RELEASED	TPC 8 MAY 13	CYH 8 MAY 13



Parameter	Mechanical SPEC
Model Number	Refer to Config Table Above
Antenna Type	Shorted Monopole
Weight	163.3g
Mounting	NMO
Wind Survivol	282 km/h
Antenna Dimension	82.6(H)X36.5(Dia.)mm (Excludes Gasket Height)
Operating Temperature	-45°C ~ +85°C
Storage Temperature	-50°C ~ +85°C
Ingression Protection	IP67
Installation Torque	5.43~8.14 Nm

THIS DRAWING IS UNPUBLISHED.	RELEASED FOR PUBLICATION
© Copyright 2022 TE Connectivity Ltd.	ALL RIGHTS RESERVED.

<b>MATERIAL:</b> N/A		THIRD ANGLE PROJECTION			
<b>FINISH:</b> N/A		DO NOT SCALE DRAWING			
APPROVALS		DATE		TITLE:	
DRAWN BY	TP CHEE	8 MAY 13		UTRA3802S1N	
ELEC. ENG.				SIZE	
MECH. ENG.	TP CHEE	8 MAY 13		A3	
MFG./OPS.				DWG. NO.	
				UTRA3802S1NMO	
				REV	
				F01	
				SCALE: 1:2	
				PREVIOUS#	
				SHEET 1 OF 1	