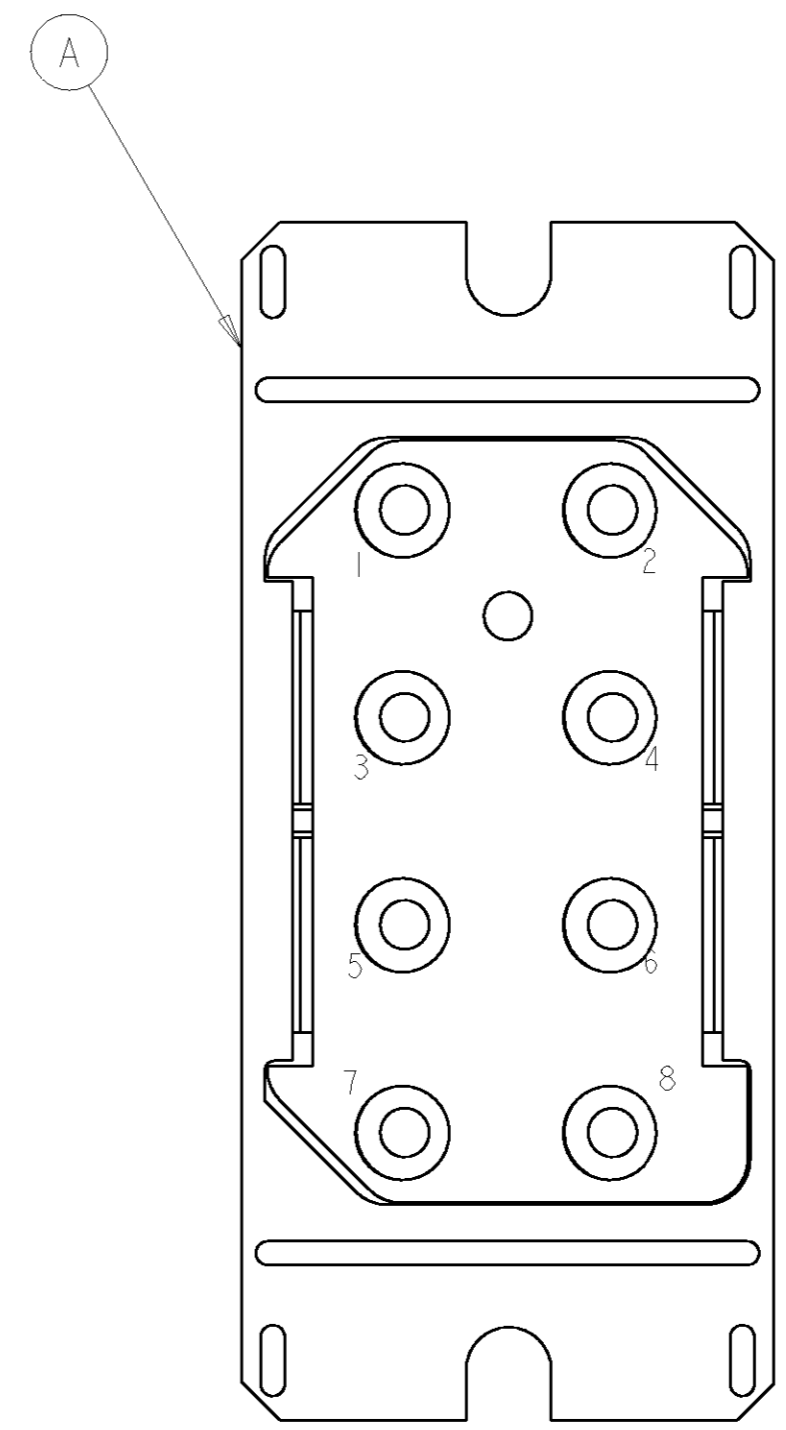
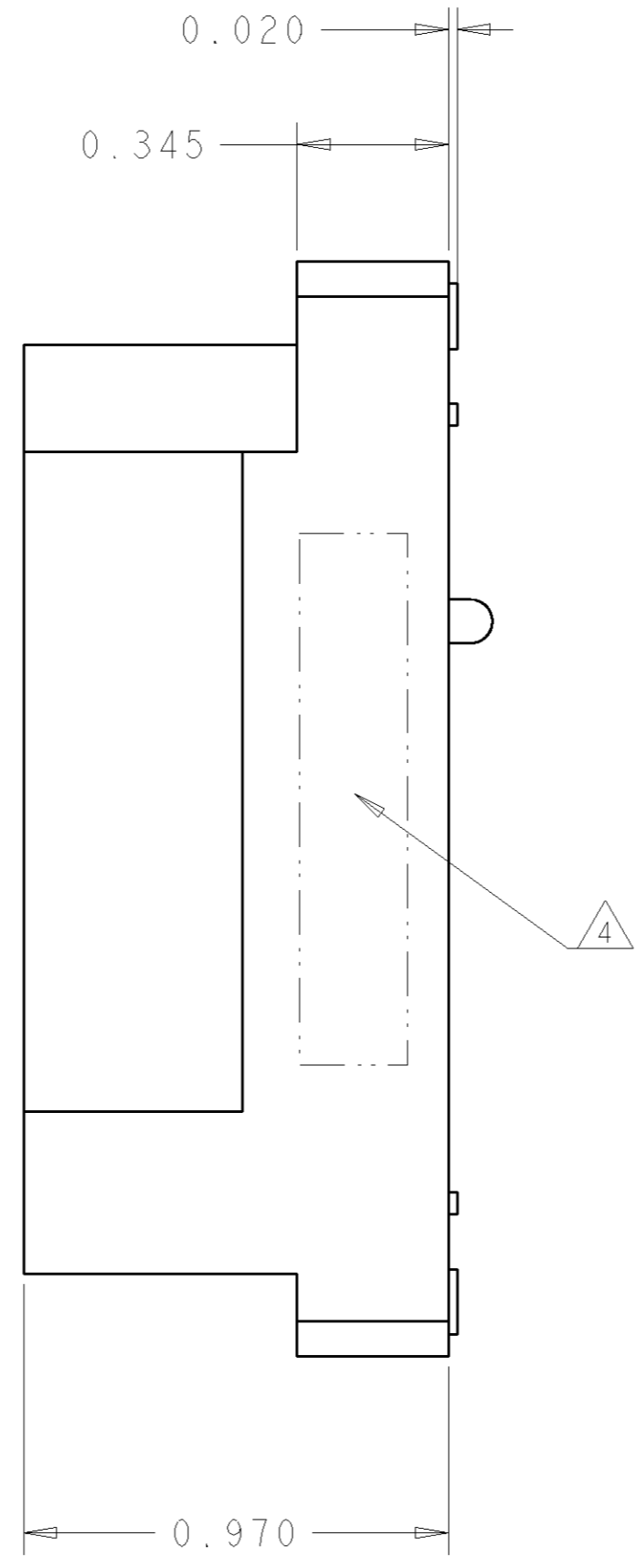
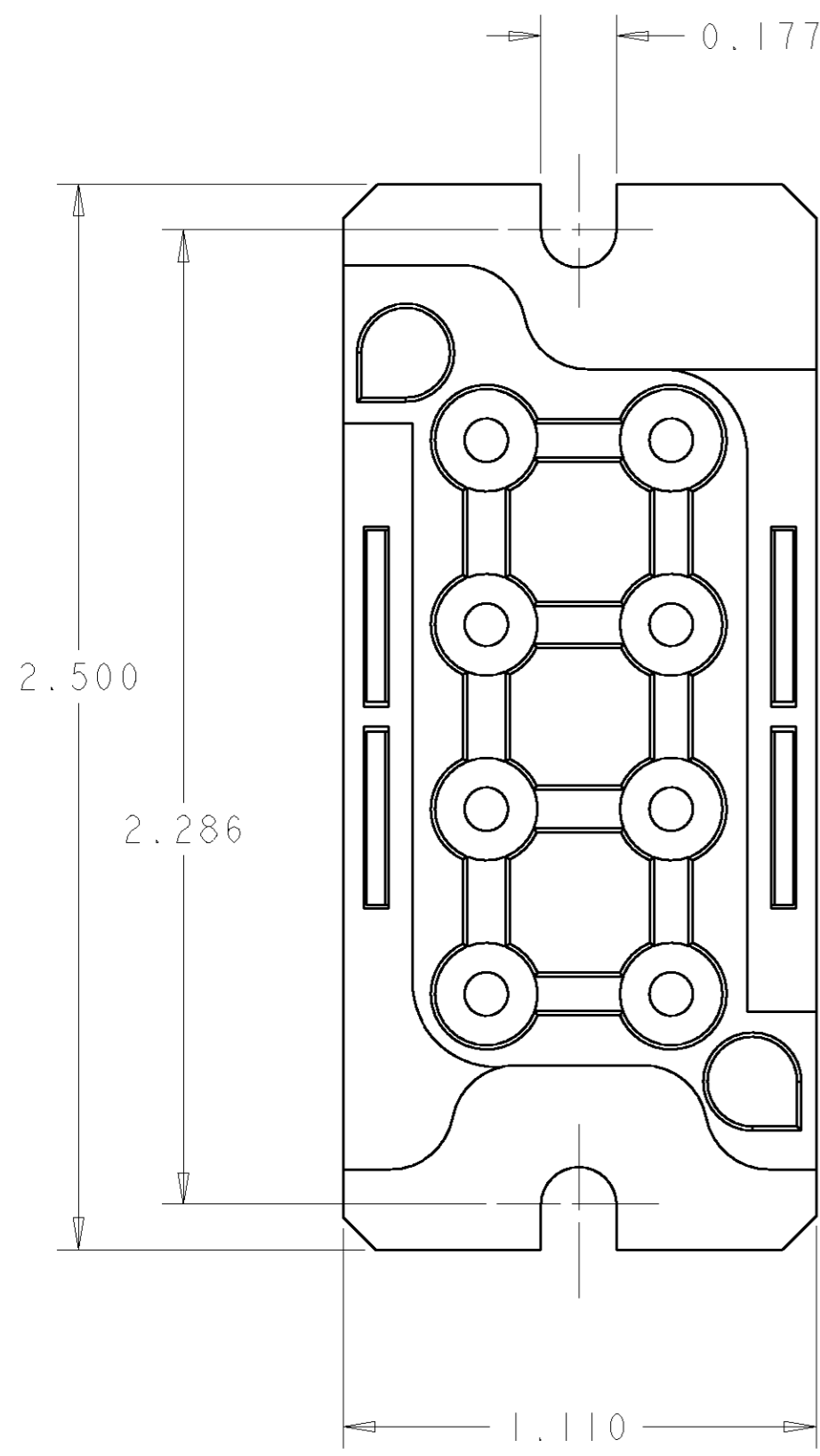


THIS DRAWING IS UNPUBLISHED. RELEASED FOR PUBLICATION 20
 © COPYRIGHT 20 BY TYCO ELECTRONICS CORPORATION. ALL RIGHTS RESERVED.

LOC	DIST	REVISIONS					
GP	00	P	LTR	DESCRIPTION	DATE	DWN	APVD
			A	RELEASED	24JUL2006	RG	SF



REAR VIEW

PIN CONTACT (B) OR (C)
 SIZE #12

AS SHOWN	1926161-1
DESCRIPTION	PART NUMBER

ELCON HV8P DRAWER

<small>THIS DRAWING IS A CONTROLLED DOCUMENT FOR TYCO ELECTRONICS CORPORATION. IT IS SUBJECT TO CHANGE AND THE CONTROLLING ENGINEERING ORGANIZATION SHOULD BE CONTACTED FOR THE LATEST REVISION.</small>		DWN R. GRZYBOWSKI 16 JUN 06 CHK S. FLICKINGER 16 JUN 06 APVD S. FLICKINGER 16 JUN 06	tyco Tyco Electronics Electronics Harrisburg, PA 17105-3608
DIMENSIONS: INCHES [mm]	TOLERANCES UNLESS OTHERWISE SPECIFIED: 0 PLC ± 1 PLC ± 2 PLC ±.01 [.3] 3 PLC ±.006 [.15] 4 PLC ± ANGLES ±.5 FINISH	PRODUCT SPEC - APPLICATION SPEC - WEIGHT -	NAME CONNECTOR ASSEMBLY, PIN SIZE #12 CONTACT, CUSTOM DRAWER
MATERIAL		CUSTOMER DRAWING	SIZE A2 CAGE CODE 00779 DRAWING NO. C-1926161 RESTRICTED TO - SCALE 3:1 SHEET 1 OF 2 REV A

THIS DRAWING IS UNPUBLISHED. RELEASED FOR PUBLICATION 20
 © COPYRIGHT 20 BY TYCO ELECTRONICS CORPORATION. ALL RIGHTS RESERVED.

LOC	DIST	REVISIONS					
GP	00	P	LTR	DESCRIPTION	DATE	DWN	APVD
		-		SEE SHEET 1	-	-	-

- PART NUMBER CHANGES AND OR DESIGN CHANGES AFFECTING THE INTERCHANGEABILITY REQUIRE PRIOR TYCO APPROVAL AND AUTHORIZATION BY REVISION TO THIS DRAWING.
- MATERIAL:
 INSULATOR: THERMOPLASTIC, GLASS REINFORCED, FLAMMABILITY RATED, COLOR: BLACK
 PIN CONTACT: COPPER ALLOY
 RETENTION CLIP: COPPER ALLOY
- FINISH:
 CONTACTS: GOLD PLATE .000010 MIN. THK. OVER NICKEL
 .000040 MIN. THK.

△ ITEMS PROVIDED TO THIS SPECIFICATION TO BE PERMANENTLY IDENTIFIED PER THE FOLLOWING IDENTIFIER:

YEAR WEEK

TYCO PART NUMBER DATE CODE (e.g. 0216)

$\frac{\text{XXXXXXXX-X}}{\text{XXXX}}$

△ CRIMP CONTACTS (ITEM B AND C) SHALL BE PACKAGED SEPARATELY AND PLACED IN THE BOX WITH THE CONN. ASSEMBLY.

△ 5	2	1650156-2	CONTACT, PIN, #12, CRIMP, PREMATE, HP	C
△ 5	6	1650153-2	CONTACT, PIN, #12, CRIMP, STD, HP	B
	1	1648127-1	PIN, CONNECTOR ASSY	A
	-1	PART NUMBER	DESCRIPTION	ITEM

<small>THIS DRAWING IS A CONTROLLED DOCUMENT FOR TYCO ELECTRONICS CORPORATION. IT IS SUBJECT TO CHANGE AND THE CONTROLLING ENGINEERING ORGANIZATION SHOULD BE CONTACTED FOR THE LATEST REVISION.</small>		DWN R. GRZYBOWSKI 16 JUN 06 CHK S. FLICKINGER 16 JUN 06 APVD S. FLICKINGER 16 JUN 06	tyco Electronics Tyco Electronics Harrisburg, PA 17105-3608
DIMENSIONS: INCHES [mm]	TOLERANCES UNLESS OTHERWISE SPECIFIED: 0 PLC ± 1 PLC ± 2 PLC ±.01 [.3] 3 PLC ±.006 [.15] 4 PLC ± ANGLES ±.5 FINISH	PRODUCT SPEC APPLICATION SPEC WEIGHT	NAME CONNECTOR ASSEMBLY, PIN SIZE #12 CONTACT, CUSTOM DRAWER
MATERIAL -	FINISH -	WEIGHT -	SIZE A2 CAGE CODE 00779 DRAWING NO. 1926161 RESTRICTED TO -
CUSTOMER DRAWING		SCALE 3:1	SHEET 2 OF 2 REV A

ELCON HV8P DRAWER