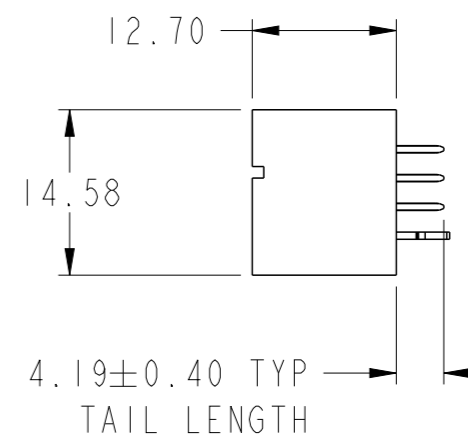
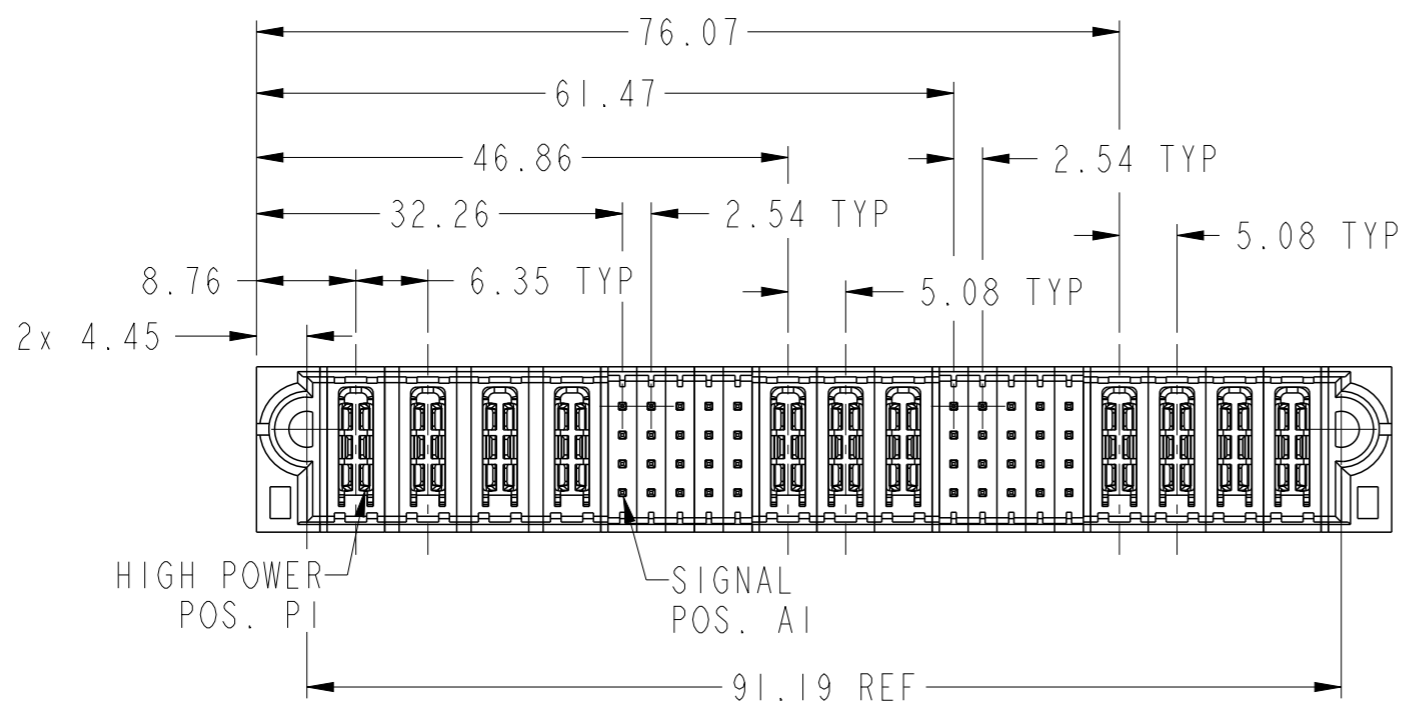
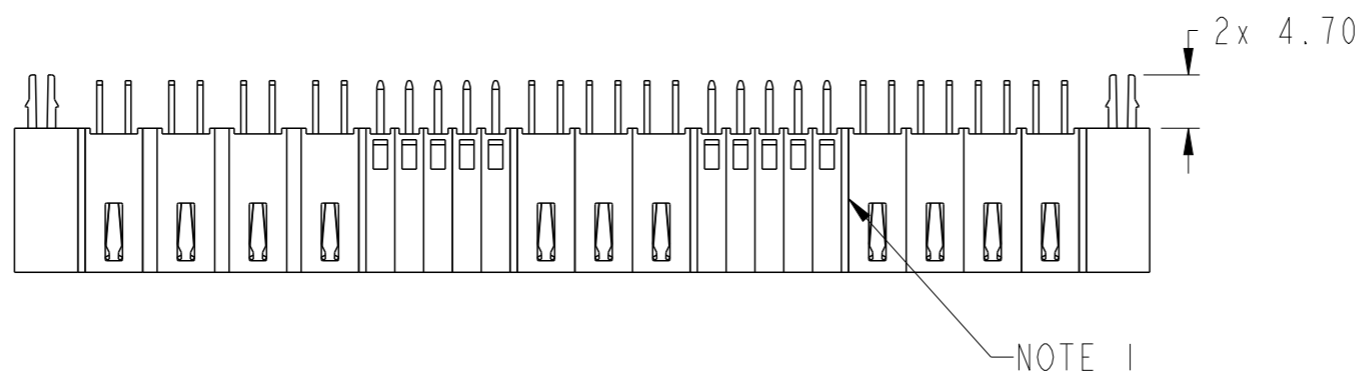
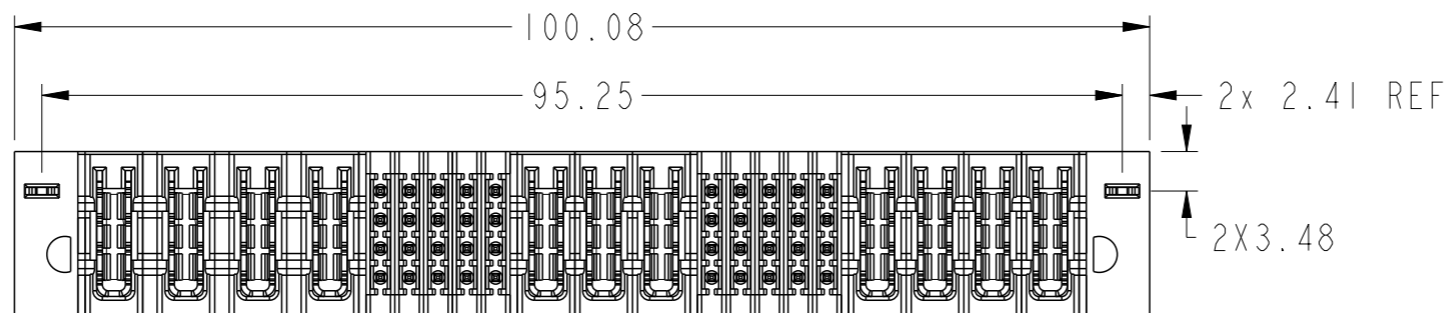


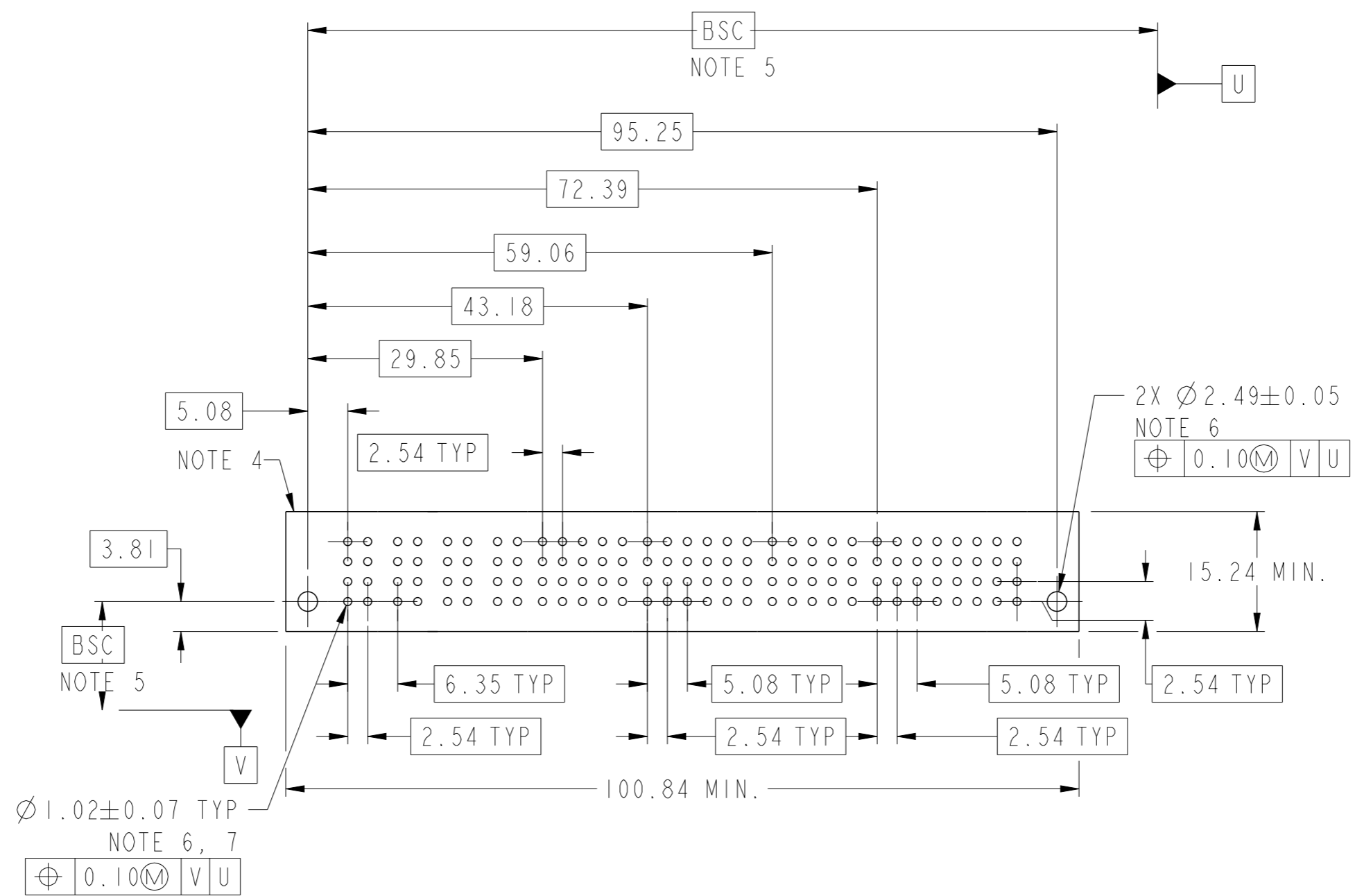
PART NUMBER SEE SHEET 2



spec ref	*	dr	Rainbow Zhan	2015/03/18	projection	MM	size	A3	scale	3:2																	
tolerance std	ASME Y14.5	eng	Zhen-Hua Liu	2015/04/07			ecn no	-	rel level	Released																	
TOLERANCES UNLESS OTHERWISE SPECIFIED		chr	Fancy Zhang	2015/04/07			product family	PwrBlade+	rel level	Released																	
surface	<table border="1"> <tr> <td>linear</td> <td>0.X</td> <td>±0.5</td> </tr> <tr> <td></td> <td>0.XX</td> <td>±0.25</td> </tr> <tr> <td></td> <td>0.XXX</td> <td>±0.10</td> </tr> <tr> <td>angular</td> <td>0°</td> <td>±2°</td> </tr> </table>	linear	0.X	±0.5		0.XX	±0.25		0.XXX	±0.10	angular	0°	±2°	appr	Pei-Ming Zheng	2015/04/07		<table border="1"> <tr> <td>part no</td> <td>4HP+20S+3HDP+20S+4HDP</td> </tr> <tr> <td>description</td> <td>VERTICAL STB HEADER</td> </tr> </table>	part no	4HP+20S+3HDP+20S+4HDP	description	VERTICAL STB HEADER	<table border="1"> <tr> <td>dwg no</td> <td>10106266-B010001</td> </tr> <tr> <td>rev</td> <td>A</td> </tr> </table>	dwg no	10106266-B010001	rev	A
linear	0.X	±0.5																									
	0.XX	±0.25																									
	0.XXX	±0.10																									
angular	0°	±2°																									
part no	4HP+20S+3HDP+20S+4HDP																										
description	VERTICAL STB HEADER																										
dwg no	10106266-B010001																										
rev	A																										
ASME Y14.5		www.fci.com	cat. no.	Product - Customer Drw	sheet 1 of 3																						

PRODUCT NO.	ROWS	HP				SIGNAL					HP			SIGNAL				HP			E2			
		E1	P1	P2	P3	P4	1	2	3	4	5	P5	P6	P7	6	7	8	9	10	P8		P9	P10	P11
10106266-B010001LF	D C B A		H2	H2	H2	H2	F	F	F	F	F	H2	H2	H2	F	F	F	F	F	H2	H2	H2	H2	

CODE	DESCRIPTION
F	STD SIGNAL CONTACT'
H2	STD HIGH POWER CONTACT'
HA	METAL HOLD DOWN



Copyright FCI.

dr	Rainbow Zhan	2015/03/18	projection		MM	size	A3	scale	3:2		
eng	Zhen-Hua Liu	2015/04/07				ecn no	-				
chr	Fancy Zhang	2015/04/07				rel level	Released				
appr	Pei-Ming Zheng	2015/04/07	product family	PwrBlade+							
	4HP+20S+3HDP+20S+4HDP				title	VERTICAL STB HEADER		dwg no	10106266-B010001	rev	A
www.fci.com	cat. no.		Product - Customer Drw			sheet 2 of 3					

A

B

C

D

A

B

C

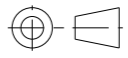
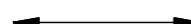

D

NOTES:

- 1) "FCI", PART NUMBER AND DATE CODE TO BE MARKED ON THIS SURFACE.
THE MARK CAN BE OMITTED IF THERE IS NOT ENOUGH SPACE ON THIS SURFACE.
- 2) MATERIALS:
-HOUSING - GLASS FILLED WITH HIGH TEMP THERMOPLASTIC, UL94V-0.
-SIGNAL CONTACT - COPPER ALLOY.
-POWER CONTACT - HIGH CONDUCTIVITY COPPER ALLOY.
- 3) PLATING SPECIFICATION: 10116351
- 4) DENOTES CONNECTOR KEEP OUT ZONE.
- 5) DATUM AND BASIC DIMENIONS WERE ESTABLISHED BY CUSTOMER.
- 6) ALL HOLE DIAMETERS ARE FINISHED HOLE SIZES.
- 7) 1.15±0.025MM DRILLED HOLE PLATED WITH 0.00762MM MIN Sn
OVER 0.0254-0.0762MM Cu PLATING TO ACHIEVE A 1.02±0.07MM HOLE.
- 8) PRODUCT SPECIFICATION: GS-12-658.
APPLICATION SPECIFICATION: GS-20-141.
PACKAGE SPECIFICAION:GS-14-1502(PRODUCT PACKED IN TRAYS).



Copyright FCI.

dr	Rainbow Zhan	2015/03/18	projection 	MM 	size	A3	scale	3:2
eng	Zhen-Hua Liu	2015/04/07			ecn no	-		
chr	Fancy Zhang	2015/04/07			product family	PwrBlade+	rel level	Released
appr	Pei-Ming Zheng	2015/04/07					title 4HP+20S+3HDP+20S+4HDP VERTICAL STB HEADER	dwg no 10106266-B010001
www.fci.com		cat. no.	Product - Customer Drw		sheet 3 of 3			