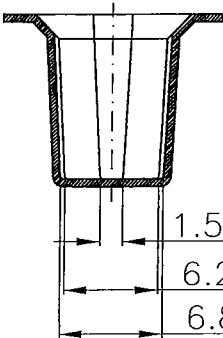
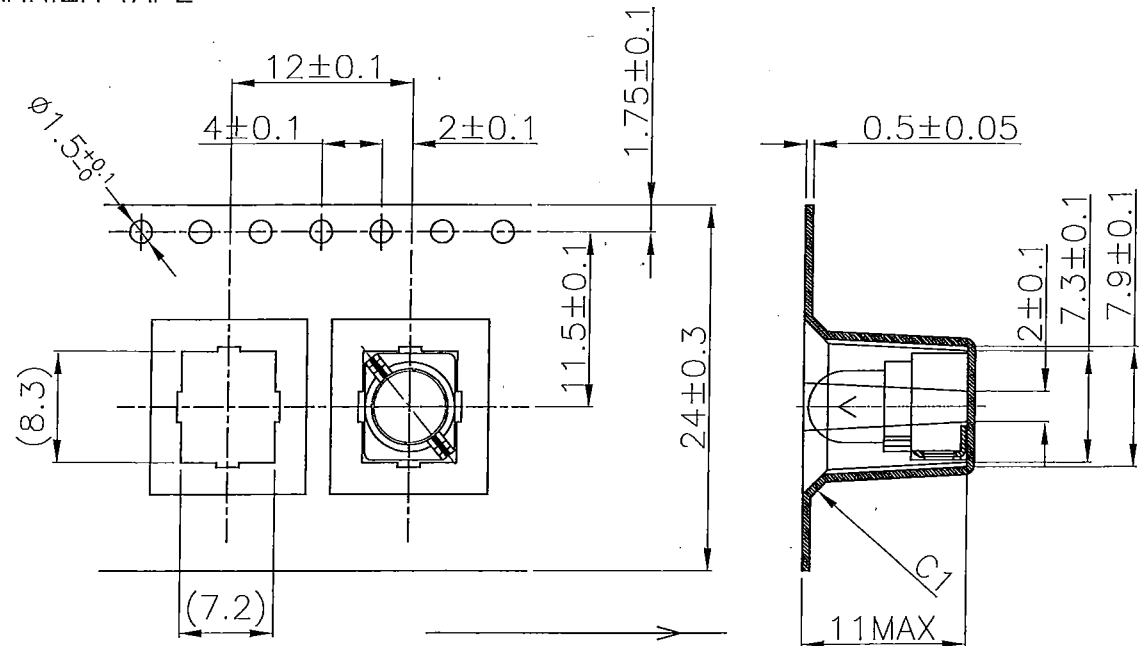
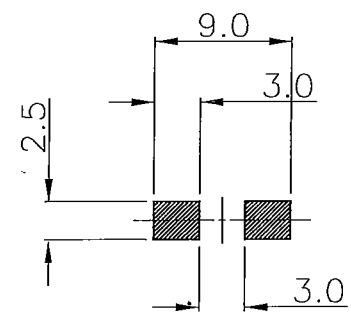
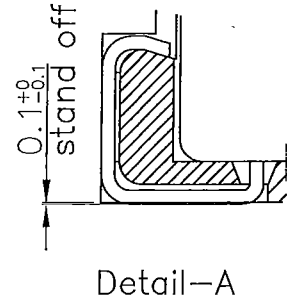
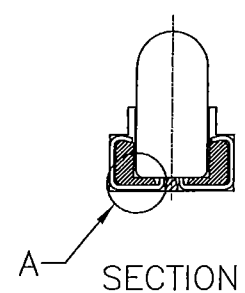
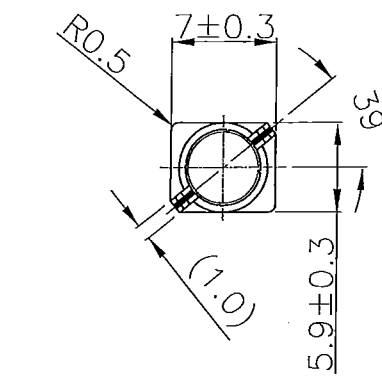


REVISIONS			
LET	DESCRIPTION	BY	DATE
A	ADD.	T.I	140501
B	ADD.	T.I	140521
C	Change	T.I	140620
D	DWG&QUANTITY Change	T.I	140711

CARRIER TAPE



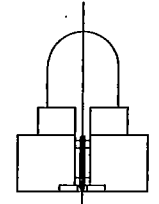
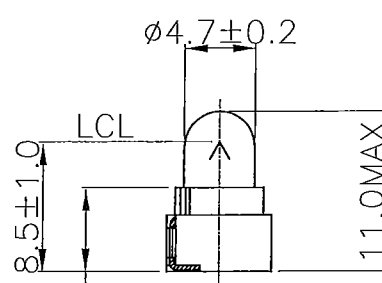
DIRECTION OF FEED



RECOMMENDED PATTERN SOLDER PATTERNS

D PACKAGE QUANTITY

DIAMETER	QUANTITY PER REEL
A	700
380	700



P/No.

DESIGN VOLT

DESIGN AMP

BRIGHTNESS

A COLOR TEMPERATURE

FIRAMENT SHAPE

A BASE COLOR

A AVERAGE LIFE

A NOTE 1. BASE MATERIAL PPS

2. LAMP LEAD DIA 0.3 (TIN PLATED)

B 3. TOLERANCE ON : ONE PLACE DECIMALS ±0.3

TWO PLACE DECIMALS ±0.15

OL-8918SMC/V-806114

14V

100mA±10%

0.5MSCP±25%

2,400K(Approx)

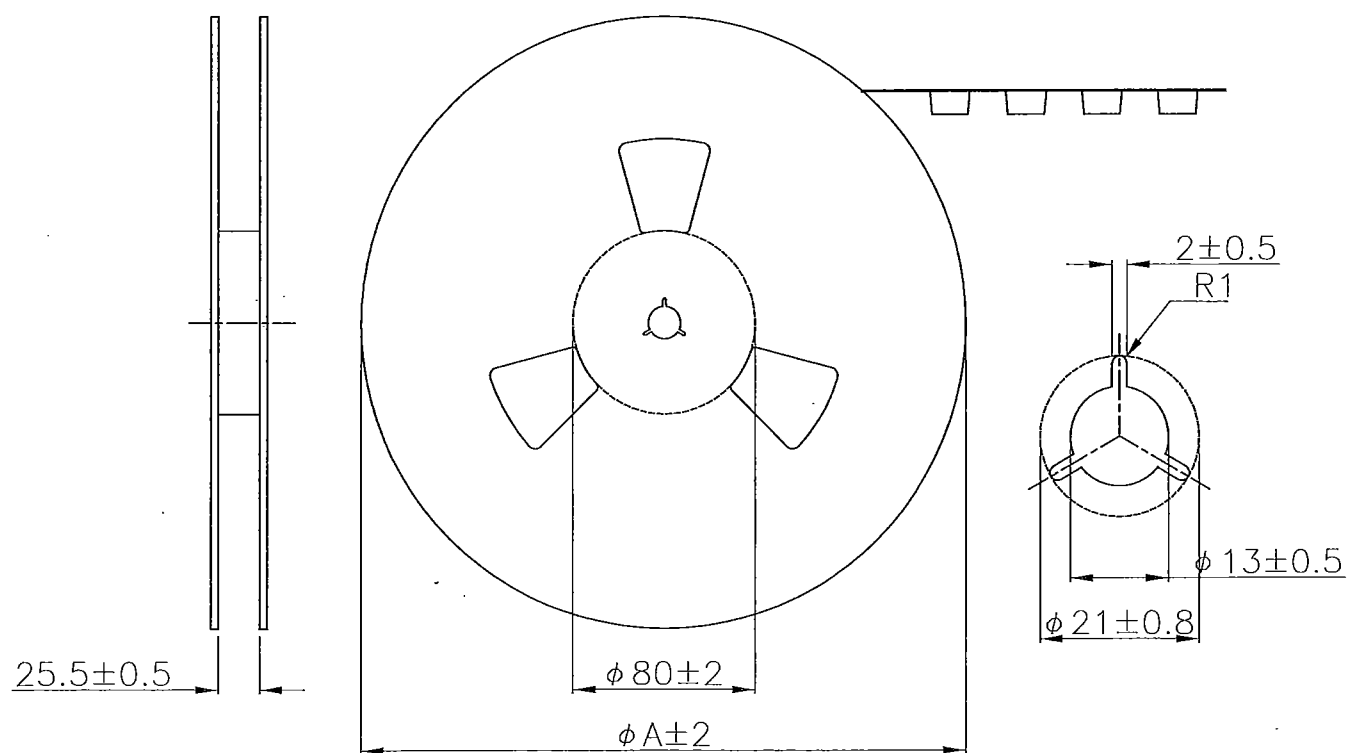
C-2V

IVORY

5,000HRS



REEL



SCALE	UNIT	MATERIAL	DATE	Oshino Lamps Limited SHINAGAWA, TOKYO, JAPAN
2/1	m.m		140711	
TITLE				
T-11/2SMC/V LAMP				
DRAWN	CHECKED	APPROVED	D.W.G.NO.	REV.
T.I	T.Y	T.A.K.A	806114	