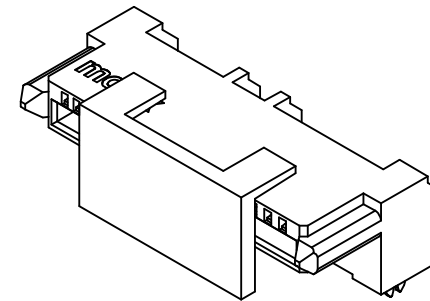
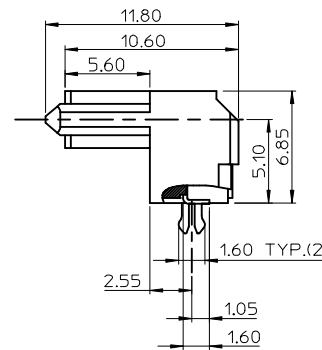
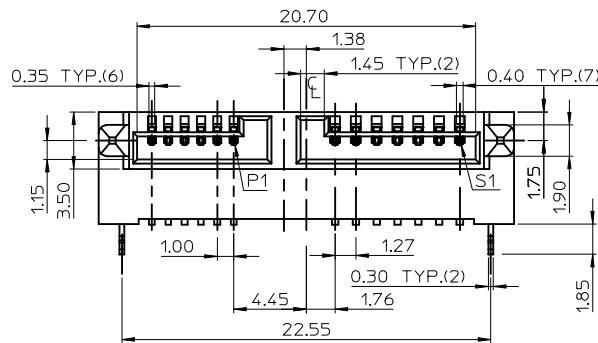


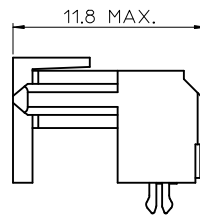
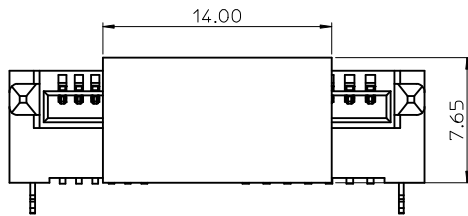
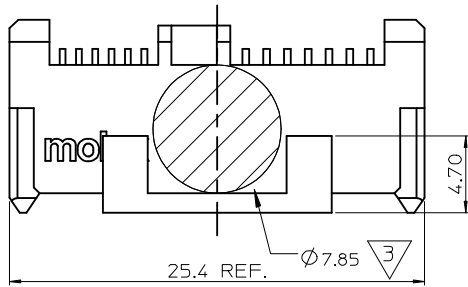
CLIP FUNCTION AVAILABLE		CLIP FUNCTION UNAVAILABLE	
DIM A	DIM B	DIM A	DIM B
1.4	2.1	1.75	2.45

RECOMMENDED PC BOARD LAYOUT  
TOLERANCE: ± 0.05mm (TOP VIEW)



NEW RELEASE EC NO: SH2009-0026 DRWN: GWANG08 CHKD: DMZHANG02 APPR: HWANG 2008/12/23 2008/12/23 2009/01/09	DESCRIPTION REV A	QUALITY SYMBOLS ▽=0 ∇=0	GENERAL TOLERANCES (UNLESS SPECIFIED)		DIMENSION STYLE MM ONLY		SCALE	DESIGN UNITS METRIC	THIRD ANGLE PROJECTION			
			mm	INCH	DRAWN BY LINDA	DATE 2007/10/23	TITLE SLIMLINE SATA RECEPTACLE REVERSE SMT WITH CLIP					
			4 PLACES ± --- ± ---	3 PLACES ± --- ± ---	2 PLACES ± 0.25 ± ---	1 PLACE ± 0.25 ± ---	CHECKED BY ALLEN LIN	DATE 2007/10/25	APPROVED BY ERICK LAN DATE 2007/10/25			
			ANGULAR ± 3 °		DRAFT WHERE APPLICABLE MUST REMAIN WITHIN DIMENSIONS		MATERIAL NO. SEE SHEET 2		DOCUMENT NO. SD-48330-001		SHEET NO. 1 OF 2	

7 6 5 4 3 2 1



P/N	PLATING OPTIONS	WITHSTANDING MFG TEST
48330-0001	GOLD FLASH	NO
48330-0002	15 MICROINCH	NO
48330-0003	30 MICROINCH	YES

NOTES:  
 1.MATERIAL:  
 HOUSING & CAP:LIQUID CRYSTAL POLYMER,GLASS FIBER FILLED,  
 UL94V-0,COLOR:BLACK.  
 TERMINAL:PHOSPHOR BRONZE.  
 CLIP:COPPER ALLOY.  
 2.PLATING:  
 TERMINAL:  
 CONTACT AREA:SEE TABLE  
 SOLDER TAIL:MATTE TIN,THICKNESS=100 MICROINCH MIN/2.54 MICROMETER MIN.  
 UNDER PLATE:NICKEL(Ni).  
 CLIP:TIN(Sn),THICKNESS=100 MICROINCH MIN/2.54 MICROMETER MIN.  
 3. PICK & PLACE VACUUM AREA.  
 4.RECOMMENDED PCB THICKNESS:1.20±0.05mm  
 5.PRODUCT SPECIFICATION REFER TO PS-48321-001  
 6.TEST SUMMARY REFER TO TS-48330-001  
 7.PACKAGING SPECIFICATION REFER TO PK-48330-001  
 8.LEAD FREE & RoHS COMPLIANT PRODUCT.

SEE SHEET 1 EC NO: SH2009-0026 DRWN:GWANG08 CHKD:DMZHANG02 APPR:HWANG	DESCRIPTION 2008/12/23 2008/12/23 2009/01/09	QUALITY SYMBOLS	GENERAL TOLERANCES (UNLESS SPECIFIED)	DIMENSION STYLE	SCALE	DESIGN UNITS	THIRD ANGLE PROJECTION	
		▼=0 ◻=0	mm      INCH 4 PLACES ± --- ± --- 3 PLACES ± --- ± --- 2 PLACES ± 0.25 ± --- 1 PLACE ± 0.25 ± --- ANGULAR ± 3 °	MM ONLY	1:1	METRIC	DRAWN BY DATE LINDA 2007/10/23 CHECKED BY DATE ALLEN LIN 2007/10/25 APPROVED BY DATE ERICK LAN 2007/10/25 MATERIAL NO.	TITLE SLIMLINE SATA RECEPTACLE REVERSE SMT WITH CLIP
		DRAFT WHERE APPLICABLE MUST REMAIN WITHIN DIMENSIONS	SEE TABLE	MOLEX INCORPORATED DOCUMENT NO. SD-48330-001	SHEET NO. 2 OF 2			
		THIS DRAWING CONTAINS INFORMATION THAT IS PROPRIETARY TO MOLEX INCORPORATED AND SHOULD NOT BE USED WITHOUT WRITTEN PERMISSION						

6 5 4 3 2 1