

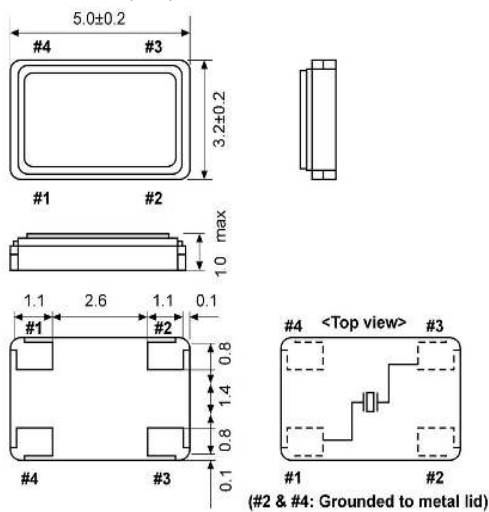


Quartz Crystal

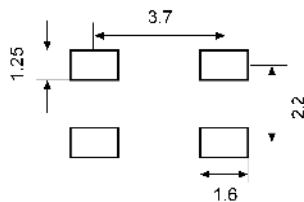
SMD-version

part no.	12.89288
model	KX – 9AT
frequency	24.5760 MHz
mode	fundamental
operating temperature	-40° ~ +85°C
frequency tolerance at +25°C	±20 ppm
temperature tolerance -40° ~ +85°C	±30 ppm
load capacitance C_L	20 pF
series resistance R1 max.	40 Ohm
aging at +25°C (first year) max.	±2 ppm
shunt capacitance C_0 max.	5.0 pF
drive level max.	300 μ W
contents of reel	1000 pcs.

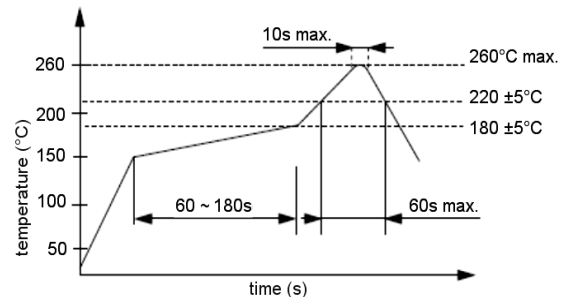
Dimensions (mm):



Suggested soldering pad:



Reflow soldering condition:



Tape specification:

