

STRADA-B2

Wide oval beam for area lighting optimized for CREE XT-E

TECHNICAL SPECIFICATIONS:

| | |
|----------------|----------------|
| Dimensions | 19.6 x 15.5 mm |
| Height | 5.2 mm |
| Fastening | glue, pin |
| ROHS compliant | yes ⓘ |

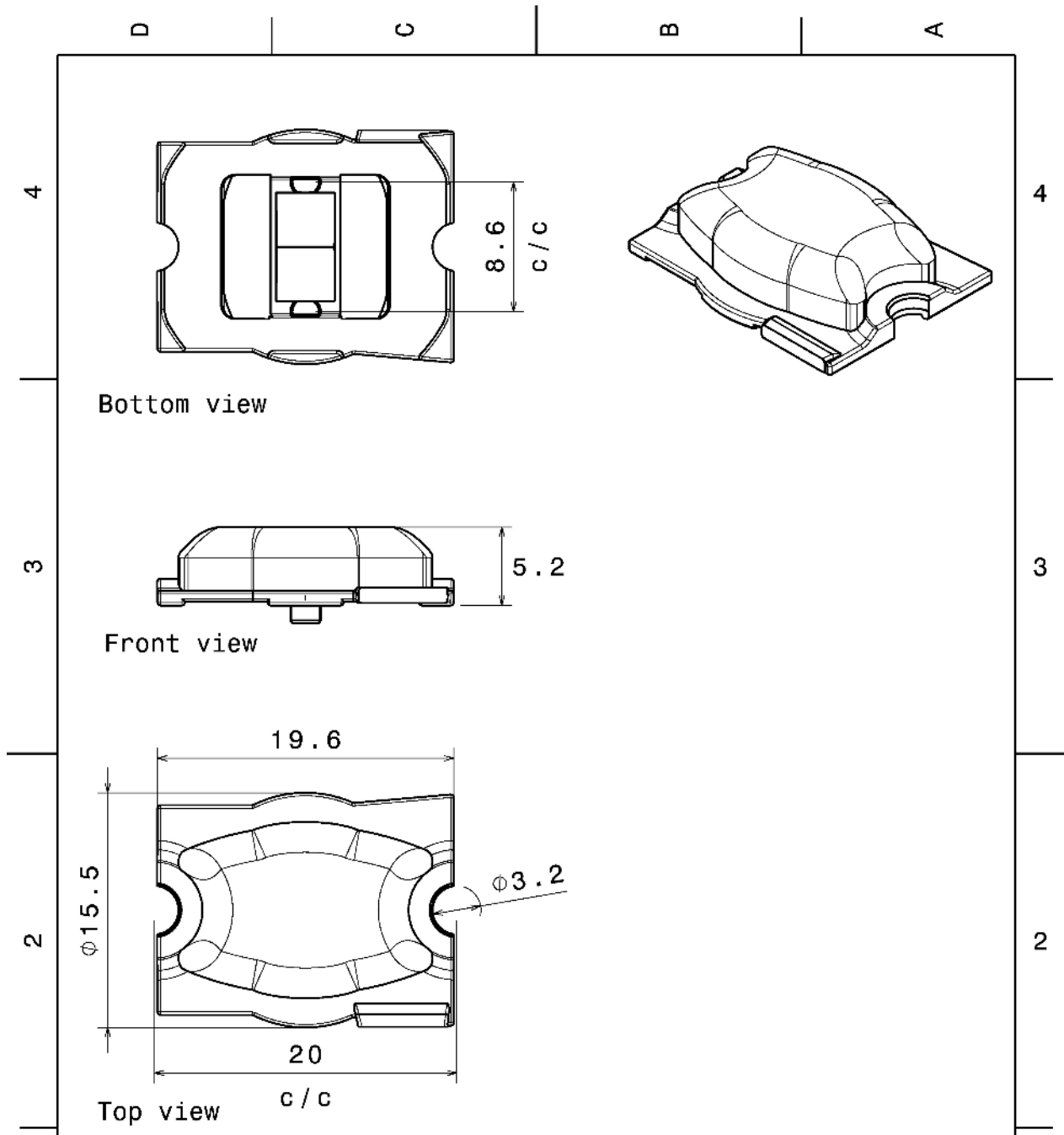


MATERIAL SPECIFICATIONS:

| Component | Type | Material | Colour | Finish |
|-----------|-------------|----------|--------|--------|
| STRADA-B2 | Single lens | PMMA | clear | |

ORDERING INFORMATION:

| Component | Qty in box | MOQ | MPQ | Box weight (kg) |
|---------------------------------|------------|-----|-----|-----------------|
| C13472_STRADA-B2 » Box size: | | 288 | 144 | 4.0 |



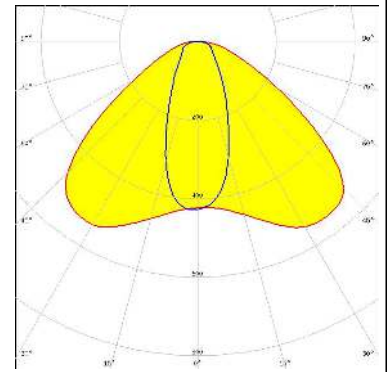
| | | | |
|---|--|--|--------------------------|
| <p>Tolerances if not otherwise shown According to DIN ISO 2768-1 Linear measures: Up to 30mm class M, otherwise class C. According to DIN ISO 2768-2 Form and position: class L</p> | | <p>LEDiL Ledil Oy Salorankatu 10 FIN 24240 SALO Finland</p> | |
| <p>THIRD ANGLE PROJECTION: </p> | | <p>DRAWING TITLE STRADA-B2 Mechanical drawing</p> | |
| <p>This drawing is the property of LEDiL Oy. It may not be reproduced, copied or communicated without a written agreement with LEDiL Oy.'</p> | | <p>SIZE A4</p> | <p>PART NUMBER -</p> |
| | | <p>SCALE 3:1</p> | <p>WEIGHT -</p> |
| | | <p>SHEET 1/1</p> | |

See also our general installation guide: www.ledil.com/installation_guide

PHOTOMETRIC DATA (MEASURED):

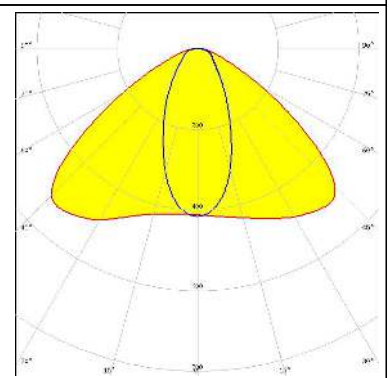
CREE LED

LED XT-E
FWHM / FWTM 119.0 + 40.0°
Efficiency 94 %
Peak intensity 0.6 cd/lm
LEDs/each optic 1
Light colour White
Required components:



SAMSUNG

LED LH351Z
FWHM / FWTM 119.0 + 47.0°
Efficiency 93 %
Peak intensity 0.5 cd/lm
LEDs/each optic 1
Light colour White
Required components:



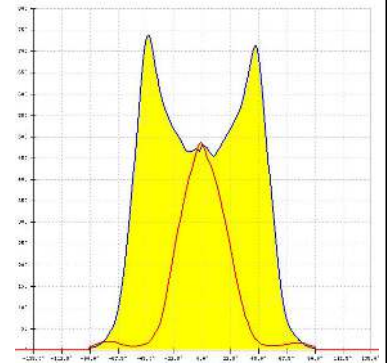
PHOTOMETRIC DATA (SIMULATED):



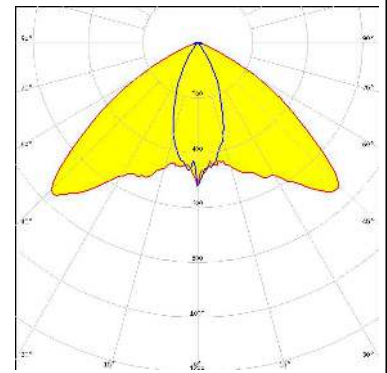
LED XP-G2
 FWHM / FWTM 111.0 + 44.0°
 Efficiency 92 %
 LEDs/each optic 1
 Light colour White
 Required components:



LED OSLOM Square CSSRM2/CSSRM3
 FWHM / FWTM 44.0 + 111.0°
 Efficiency 94 %
 LEDs/each optic 1
 Light colour White
 Required components:



LED Z5M1/Z5M2
 FWHM / FWTM 112.0 + 39.0° / 135.0 + 69.0°
 Efficiency 94 %
 Peak intensity 0.8 cd/lm
 LEDs/each optic 1
 Light colour White
 Required components:



GENERAL INFORMATION:

NOTE: The typical beam angle will be changed by different color, chip size and chip position tolerance. The typical total beam angle is the full angle measured where the luminous intensity is half of the peak value.

MATERIALS:

As part of our continuous research and improvement processes, and to ensure the best possible quality and availability of our products, LEDiL reserves the right to change material grades without notice.

PRODUCT DATA USER AGREEMENT AND DISCLAIMER:

The measured data in the provided downloadable LEDiL Product Datasheets and Mechanical 2D-Drawings is rounded and provided as reference for planning. LEDiL Oy's optical specifications have been verified by conducting performance testing of the products in accordance with the company's quality system. The reported data are averaged results of multiple measurements with typical variation. LEDiL Oy reserves the right to without prior notification make changes and improvements to its products.

LEDiL Oy assumes neither warranty, nor guarantee nor any other liability of any kind for the contents and correctness of the provided data. The provided data has been generated with highest diligence but the provided data may in reality not represent the complete possible variation range of all intrinsic parameters. Therefore, in certain cases a deviation from the provided data could occur.

LEDiL Oy reserves the right to undertake technical changes of its products without further notification which could lead to changes in the provided data. LEDiL Oy assumes no liability of any kind for the possible deviation from any provided data or any other damage resulting from the usage of the provided data.

The user agrees to this disclaimer and user agreement with the download or usage of the provided files.

LEDiL Oy

Joensuunkatu 13
FI-24240 SALO
Finland

LEDiL Inc.

228 West Page Street
Suite D
Sycamore IL 60178
USA

Ledil Optics Technology (Shenzhen) Co., Ltd.

405 , Block B
Casic Motor Building
Shenzhen 518057
P.R.CHINA

Local sales and technical support

[www.ledil.com/
where_to_buy](http://www.ledil.com/where_to_buy)

Shipping locations

Salo, Finland
Hong Kong, China

Distribution Partners

[www.ledil.com/
where_to_buy](http://www.ledil.com/where_to_buy)