



### Product Description:

- Protection System
- Holds disposable or reusable gowns, aprons, or coveralls/jumpsuits, three - four boxes of gloves, one box of earloop masks, one box of face shields, and miscellaneous items
- Wall mount only
- Stainless Steel

### Primary Area for Product Usage:

- Anywhere personal protection products are needed

### Dispenses:

- Top left: Gowns, aprons, or coveralls/jumpsuits no larger than 14.50"W x 4.50"D (36.8 cm x 11.4 cm)
- Top right: Box(es) no larger than 8.38"W x 9.63"H x 4.50"D (21.3 cm x 24.5 cm x 11.4 cm)
- Middle right: Box(es) no larger than 8.25"W x 5.00"H x 4.50"D (21.0 cm x 12.7 cm x 11.4 cm)
- Bottom: Box(es) no larger than 11.25"W x 5.38"H x 4.00"D (28.6 cm x 13.7 cm x 11.4 cm), and/or miscellaneous items

### Package Specifications:

- Package Quantity: 1 per case
- 26"L x 6"W x 32"H (66.0 cm x 15.2 cm x 81.3 cm)
- 16.0 lbs (7.3 kg) - approximated

### Product Specifications (overall external dimensions):

- 22.75"W x 25.63"H x 4.52"D (57.8 cm x 65.1 cm x 11.5 cm)
- 12.7 lbs (5.8 kg) - approximated

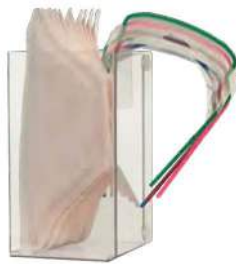
### Mounting Specifications:

### Accessories (each sold separately):

- Clip-On Caddy Dispensers: MP-015 and MP-085
- Sign Holder MP-047



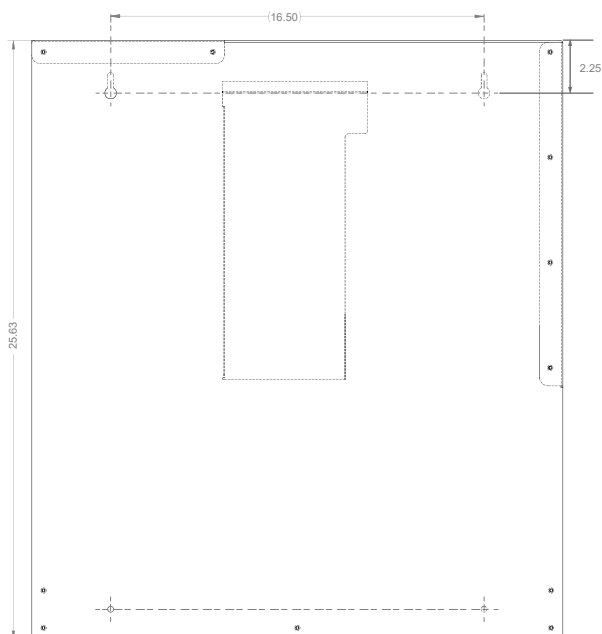
MP0-015



MP0-085



MP-047

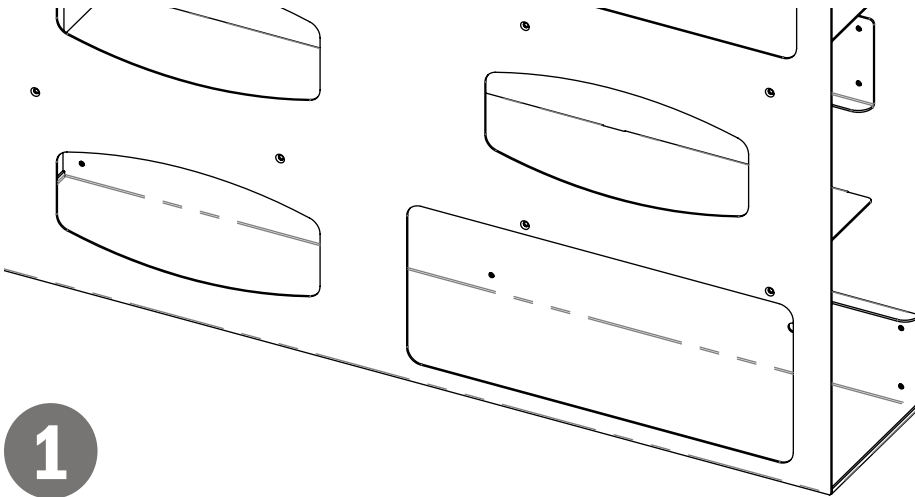




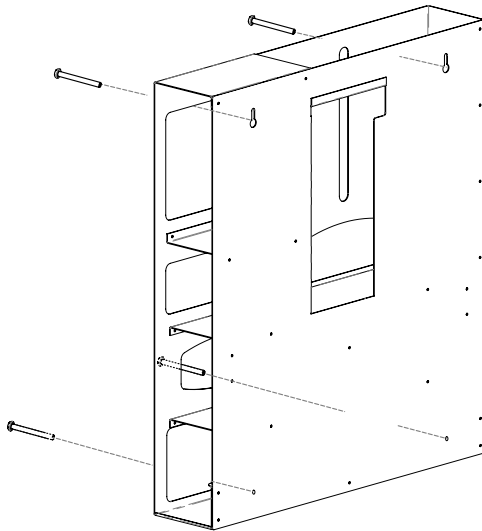
### Installation

Always mount dispensers securely *prior* to loading with product.

- Open section at lower right can be used to store a variety of boxed or loose medical supplies.



- Using all four screw holes, mount securely to a wall with screws approved and supplied by building maintenance.



#### Parts included:

- Protection System

#### Tools Required:

- No tools required to assemble dispenser

### Characteristics & Care Stainless Steel

#### Material Characteristics

#### Designed for Long-Term, Heavy-Duty Applications

Stainless steel is used overwhelmingly for its corrosion and oxidation resistance characteristics. Along with being sturdy, stainless steel is also fire and heat resistant.

The work-hardening properties of stainless steel gives the material a great strength-to-weight advantage over other materials. It also provides impact resistance and high toughness in extreme temperatures.

Stainless steel has a bright, stain resistant surface and pleasing aesthetic appearance.

#### Care and Cleaning

Stainless steel resists a variety of common chemicals and cleaning agents. Clean using warm water, a gentle detergent, and soft cloth.

Standard hospital cleaning supplies are approved for use on our stainless steel products. Dry thoroughly to avoid spotting. Do not use steel wool.