

REV. A	SHEET 1 OF 3	DOCUMENT NO. CF-020011-430
REVISIONS M		
LTR	DESCRIPTION	DATE
A	INITIAL RELEASE	02/09/2022

DOCUMENT NO. CF-020011-430

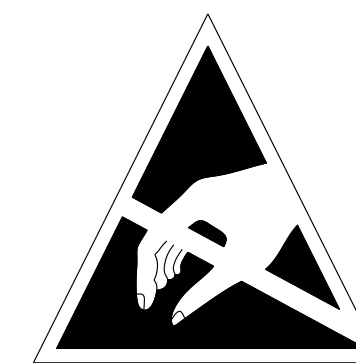
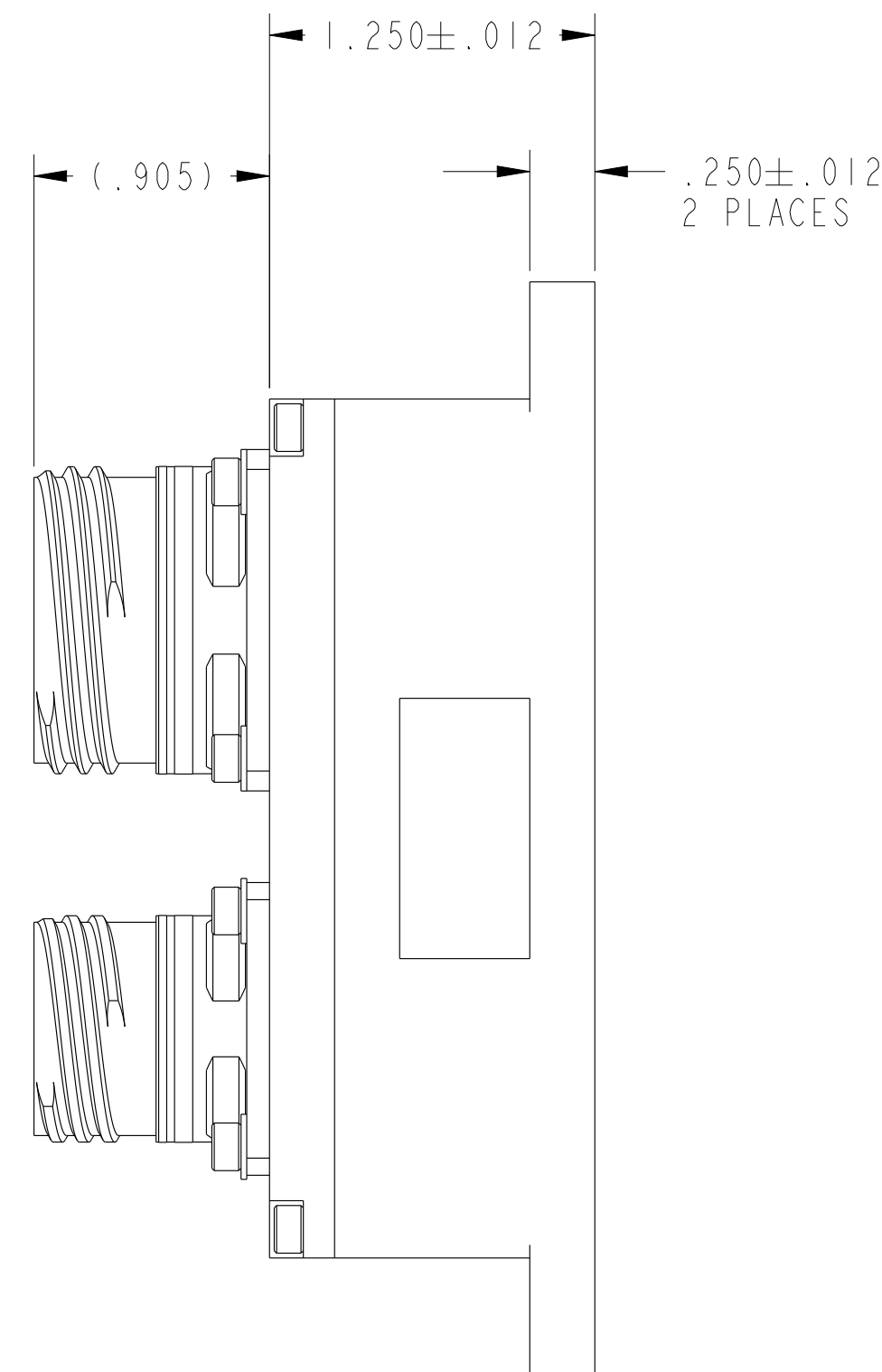
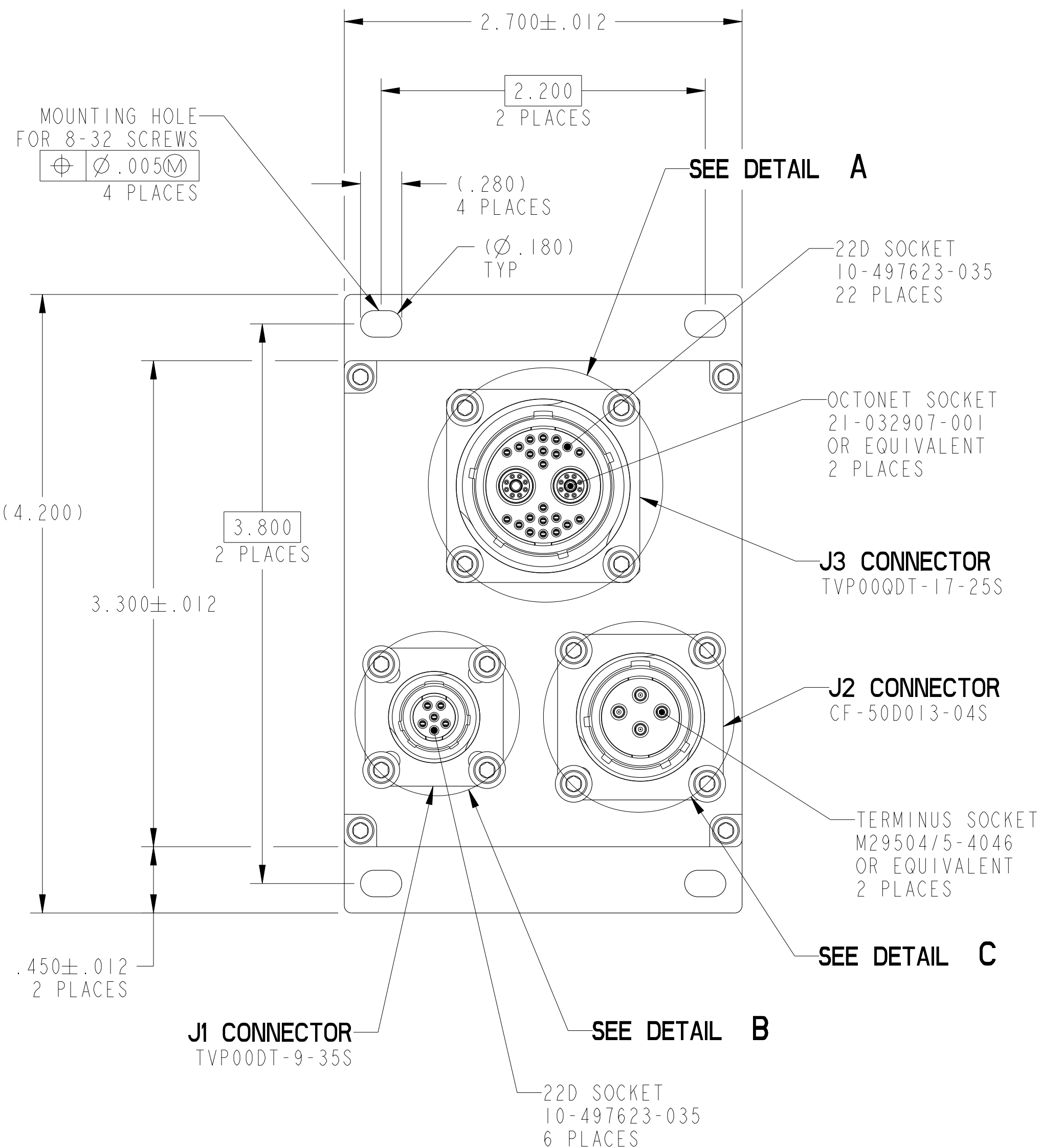
SHEET 1 OF 3

REV. A

C

B

A



ATTENTION
 OBSERVE PRECAUTIONS
 FOR HANDLING
 ELECTROSTATIC
 SENSITIVE
 DEVICES

SEE SHEET 3

NOTES:

THE USE OF THIS DOCUMENT IS UNLIMITED. HOWEVER, DOCUMENTS REFERENCED HEREON MAY CONTAIN LIMITED RIGHTS DATA.

RELEASED / Feb. 16 2022, 10:20:43 AM

DOCUMENT NO. CF-020011-430

SHEET 1 OF 3

REV. A

NONE

NEXT ASSEMBLY

PRO/ENGINEER INFORMATION

Pro/e Model Used:
CF-020011-430.ASSEM
Drawing Name:
CF-020011-430

UNLESS OTHERWISE SPECIFIED	SPECIFICATIONS	POS	QTY	PART NUMBER	DESCRIPTION	NOTE
LINEAR DIMENSIONS ARE IN INCHES TOLERANCES: .XXXX = ±.0005 ANGLES= ±2° .XXX = ±.010 .XX = ±.03 .X = ±.1 DIM. & TOL. PER ASME Y14.5M; DRM PER MIL-STD-31000; OTHER Amphenol Stds. PER 9-3800 LEGENDS: =FLAG NOTE CALL OUT REFERENCE ONLY	MATERIAL SPEC.	PARTS LIST				
	NONE	AMPHENOL CORPORATION 40-60 DELAWARE AVENUE SIDNEY, N.Y. 13858				
	PROCESS SPEC.	1G/10G ETHERNET MEDIA CONVERTER NI-PTFE PLATED				
	SEE NOTE 5	SIZE C CAGE CODE 77820 DOCUMENT NO. CF-020011-430 REV. A SCALE: 1.5 REF. CF-020011-332 SHEET 1 OF 3				
APPROVALS		DATE		THIRD ANGLE PROJECTION		
PREPARED BY W. LEE		08-Feb-22				
ENGINEER IN CHARGE W. LEE						
DESIGN MANAGER J. ROTHROCK						
DESIGN ACTIVITY GROUP CI						

Eng. PDM Information For Reference Only

REVISION 2

REVISION A

REV. A

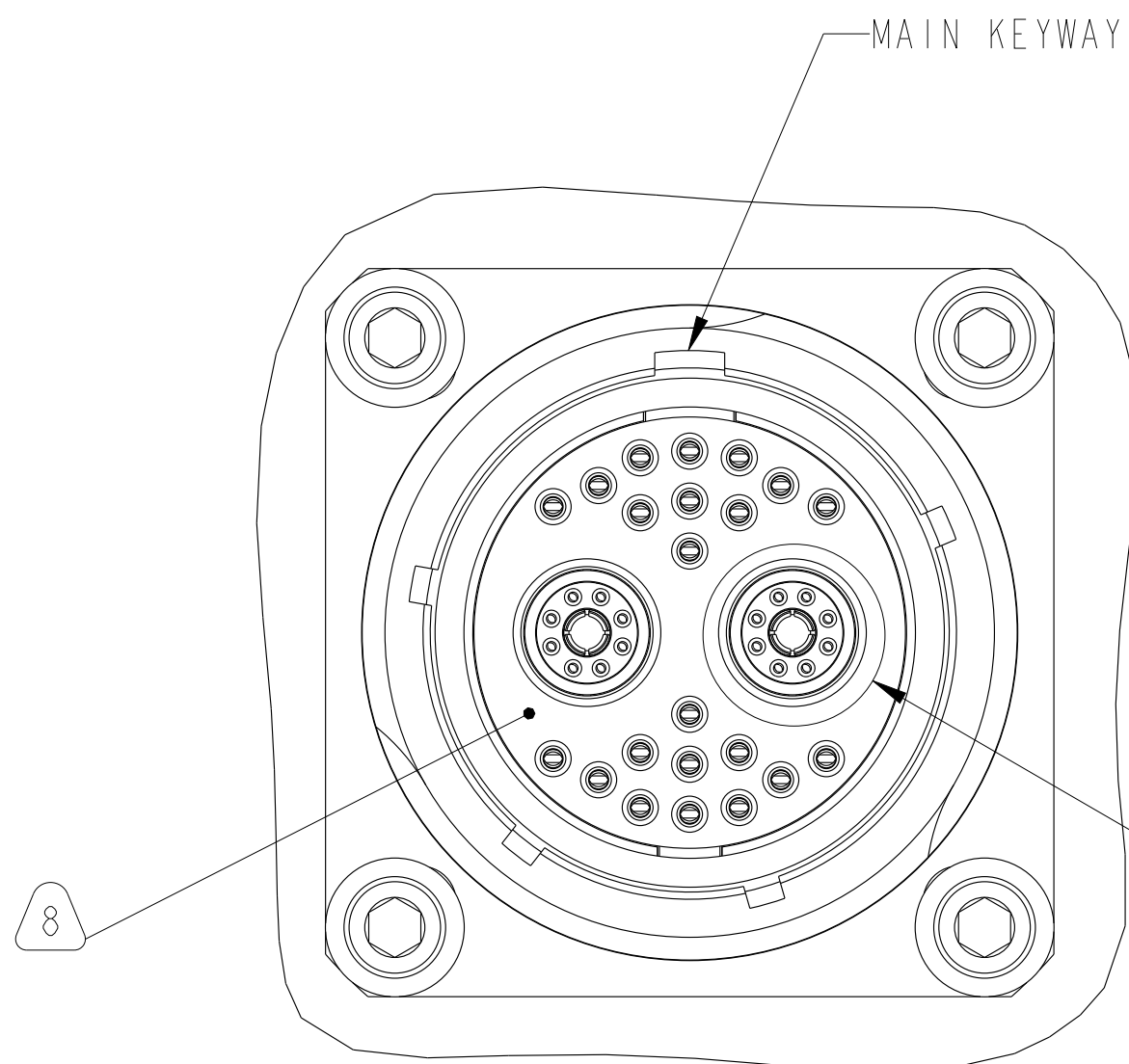
SHEET 1 OF 3

DOCUMENT NO. CF-020011-430

CF-020011-430

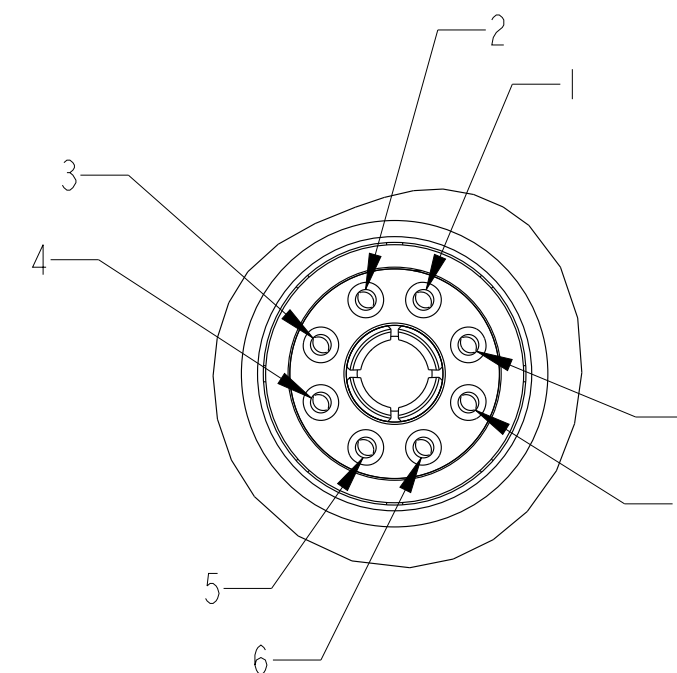
SHEET 2 OF 3

REV. A

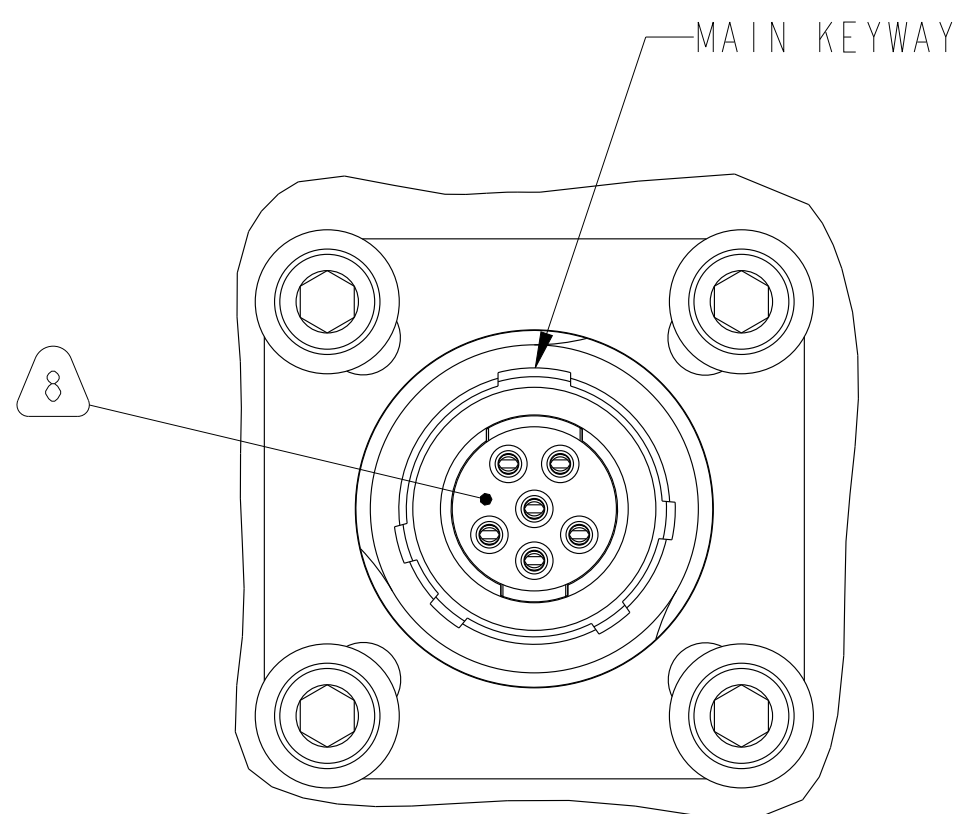


DETAIL A
J3 CONNECTOR
SCALE 3.000

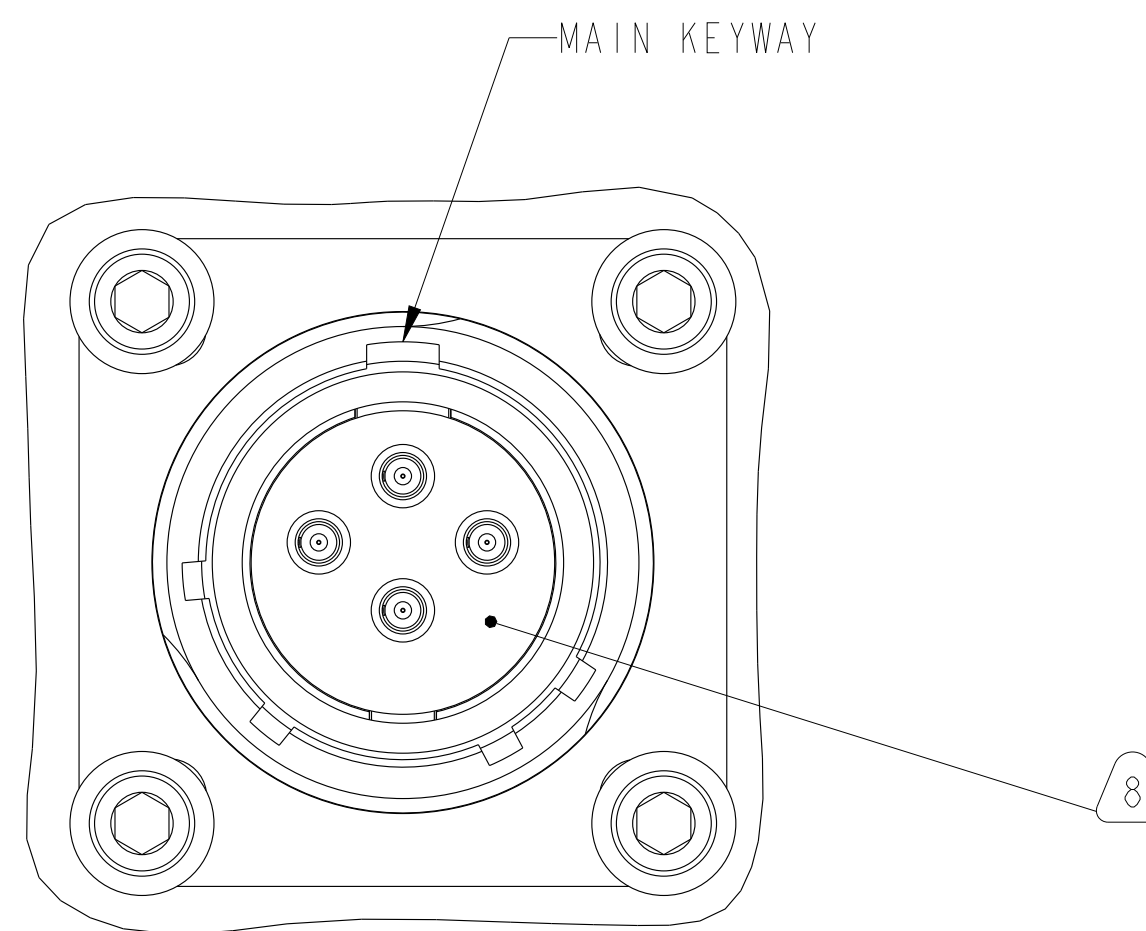
SEE DETAIL D



DETAIL D
OCTONET
SCALE 6.000



DETAIL B
J1 CONNECTOR
SCALE 3.000



DETAIL C
J2 CONNECTOR
SCALE 3.000

SEE SHEET 3

NOTES:

THE USE OF THIS DOCUMENT IS UNLIMITED.
HOWEVER, DOCUMENTS REFERENCED HEREON
MAY CONTAIN LIMITED RIGHTS DATA.

RELEASED / Feb. 16 2022, 10:20:43 AM

CF-020011-430

SHEET 2 OF 3

REV. A

SIZE C	CAGE CODE 77820	DOCUMENT NO. CF-020011-430	REV. A
SCALE: 1.5		REF: CF-020011-332	SHEET 2 OF 3

VERSION 2

REVISION A

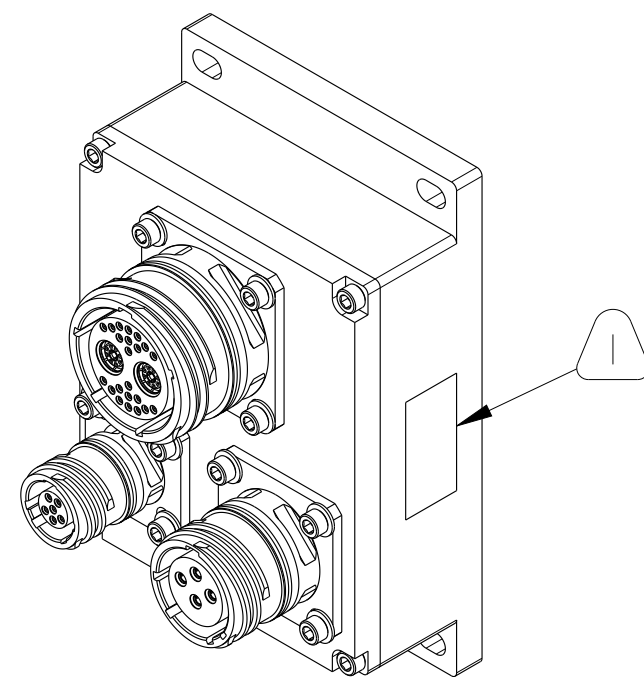
Eng. PDM Information For Reference Only

REV. A

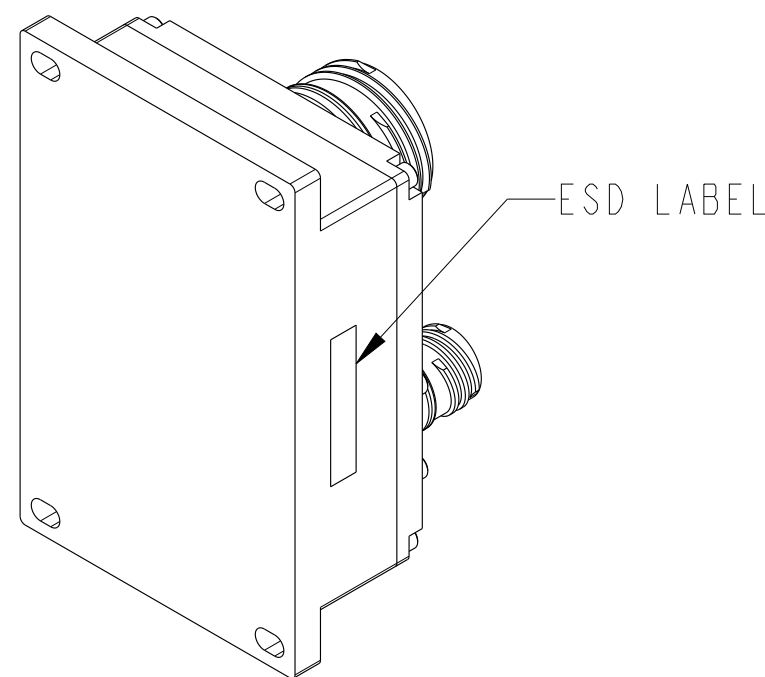
SHEET 2 OF 3

CF-020011-430

FORMAT: C-0-E-1



FRONT ISOMETRIC VIEW
SCALE 0.750



REAR ISOMETRIC VIEW
SCALE 0.750

J2 CONNECTOR I/O CHART

PIN ID	DESCRIPTION
A	ETHERNET CHANNEL 1 TX
B	ETHERNET CHANNEL 1 RX
C	ETHERNET CHANNEL 2 TX
D	ETHERNET CHANNEL 2 RX

J1 CONNECTOR I/O CHART

PIN ID	DESCRIPTION
1	CHASSIS GROUND
2	CHASSIS GROUND
3	CHASSIS GROUND
4	CHASSIS GROUND
5	28V IN
6	GND

J3 CONNECTOR I/O CHART

PIN ID	DESCRIPTION
1	SPARE/DEBUG
2	SPARE/DEBUG
3	SPARE/DEBUG
4	SPARE/DEBUG
5	SPARE/DEBUG
6	SPARE/DEBUG
7	SPARE/DEBUG
8	SPARE/DEBUG
9	SPARE/DEBUG
10	SPARE/DEBUG
11	SPARE/DEBUG
12	SPARE/DEBUG
13	SPARE/DEBUG
14	SPARE/DEBUG
15	SPARE/DEBUG
16	SPARE/DEBUG
17-1	CHANNEL 1 DA+
17-2	CHANNEL 1 DA-
17-3	CHANNEL 1 DB+
17-4	CHANNEL 1 DB-
17-5	CHANNEL 1 DC+
17-6	CHANNEL 1 DC-
17-7	CHANNEL 1 DD+
17-8	CHANNEL 1 DD-
18	SPARE/DEBUG
19	SPARE/DEBUG
20	SPARE/DEBUG
21-1	CHANNEL 2 DA+
21-2	CHANNEL 2 DA-
21-3	CHANNEL 2 DB+
21-4	CHANNEL 2 DB-
21-5	CHANNEL 2 DC+
21-6	CHANNEL 2 DC-
21-7	CHANNEL 2 DD+
21-8	CHANNEL 2 DD-
22	SPARE/DEBUG
23	SPARE/DEBUG
24	SPARE/DEBUG

8. FOR INSERT ARRANGEMENT, SEE FOLLOWING DOCUMENTS.

- J1 CONNECTOR: L-21808-35
- J2 CONNECTOR: L-21812-4
- J3 CONNECTOR: LQ-21816-25

- CONNECTORS AND HOUSINGS ARE DURMALON(Ni-PTFE) PLATED ALUMINUM ALLOY.
- FIBER LINES SHALL BE 850nm SIGNAL COMPATIBLE 50/125 GRADED INDEX MULTI MODE FIBER.
- PROCESS SPECS: 9-9172-3
- STAMPING ON PARTS MAY DIFFER FROM DRAWING BASED ON CUSTOMER SPECIFIC ORDER REQUIREMENTS
- ASSEMBLY CONTAINS ELECTROSTATIC DISCHARGE (ESD) SENSITIVE COMPONENTS. ASSEMBLY SHALL BE HANDLED, PACKAGED, AND SHIPPED TO MEET REQUIREMENTS OF ANSI/ESD-S-20.20 AND IPC-A-610.
- PACKAGE PER PRODUCTION PROCESS SHEET.

1. MARK LABEL WITH AMPHENOL, PART NUMBER, AND SEVEN DIGIT SERIAL NUMBER AND ATTACH ON INDICATED SURFACE. SERIAL NUMBER PER 9-9172-3.

EXAMPLE: FOR CONVERTER NUMBER 8 BUILT ON APRIL 5, 2022

AMPHENOL
CF-020011-430
2214008

NOTES:

THE USE OF THIS DOCUMENT IS UNLIMITED. HOWEVER, DOCUMENTS REFERENCED HEREON MAY CONTAIN LIMITED RIGHTS DATA.

RELEASED / Feb. 16 2022, 10:20:43 AM

VISION 2
REVISION A
Eng PDM Information For Reference Only

CF-020011-430